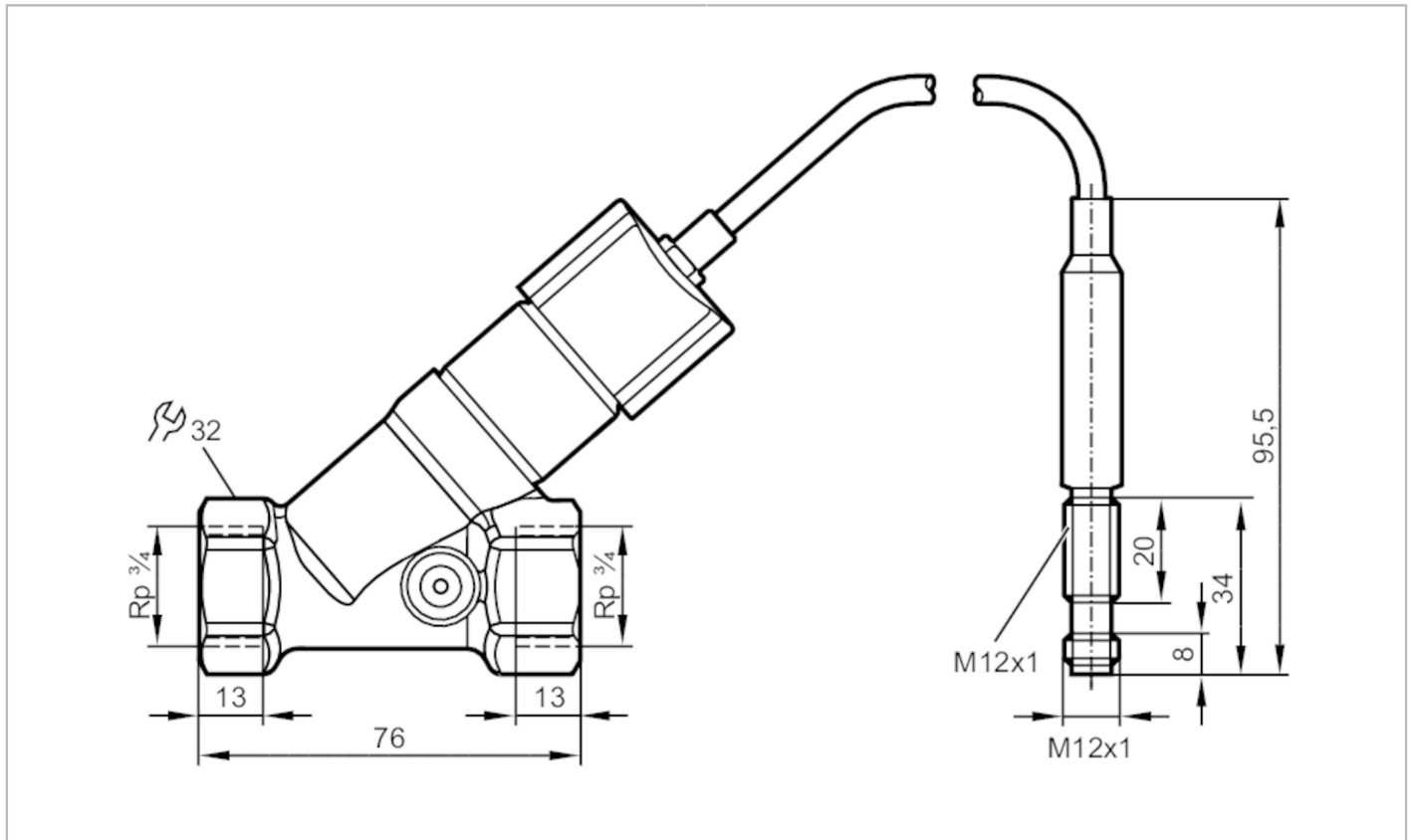


SBT633



Flow transmitter with integrated backflow prevention

SBT34XKX10KG/O/US



Product characteristics	
Measuring range	[l/min] 0.3...25
Process connection	Rp 3/4
Application	
Media	Liquids; water; glycol solutions
Medium temperature	[°C] 10...180
Pressure rating	[bar] 15
Note on pressure rating	at max. medium temperature at temperatures up to 85 °C: 25
Electrical data	
Operating voltage tolerance	[%] -15...10
Operating voltage	[V] 24 DC; (to SELV/PELV)
Current consumption	[mA] < 35
Protection class	III
Reverse polarity protection	yes
Outputs	
Output signal	analogue signal
Analogue current output	[mA] 4...20
Max. load	[Ω] 500
Short-circuit protection	yes
Overload protection	yes

SBT633



Flow transmitter with integrated backflow prevention

SBT34XKX10KG/O/US

Measuring/setting range		
Measuring range [l/min]	0.3...25	
Accuracy / deviations		
Repeatability [% of the final value]	1	
Measuring error [% of the final value]	± 5	
Response times		
Response time [s]	< 0.01	
Operating conditions		
Ambient temperature [°C]	0...60	
Storage temperature [°C]	-15...80	
Protection	IP 65; IP 67	
Tests / approvals		
EMC	DIN EN 61000-6-2	
	DIN EN 61000-6-3	
Shock resistance	DIN EN 60068-2-27	20 g (11 ms)
Vibration resistance	DIN EN 60068-2-6	5 g (10...2000 Hz)
MTTF [years]		1380
Mechanical data		
Weight [g]		557
Materials	brass white bronze coated; PPS; copper alloy; aluminium anodised; PEI; silicone;	
Materials (wetted parts)	stainless steel (1.4401 / 316); brass; brass chemically nickel-plated; PPS; O-ring: FKM	
Process connection		Rp 3/4
Switching cycles mechanical		10 million
Remarks		
Remarks	Recommendation Use 200 micron filtration All data refer to water (20 °C).	
Pack quantity		1 pcs.
Electrical connection		
Cable: 0.3 m, silicone		



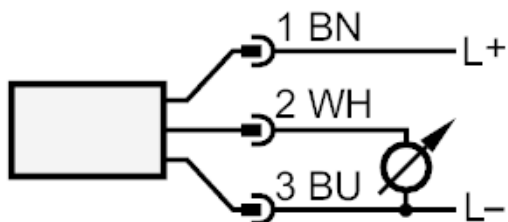
SBT633



Flow transmitter with integrated backflow prevention

SBT34XKX10KG/O/US

Connection



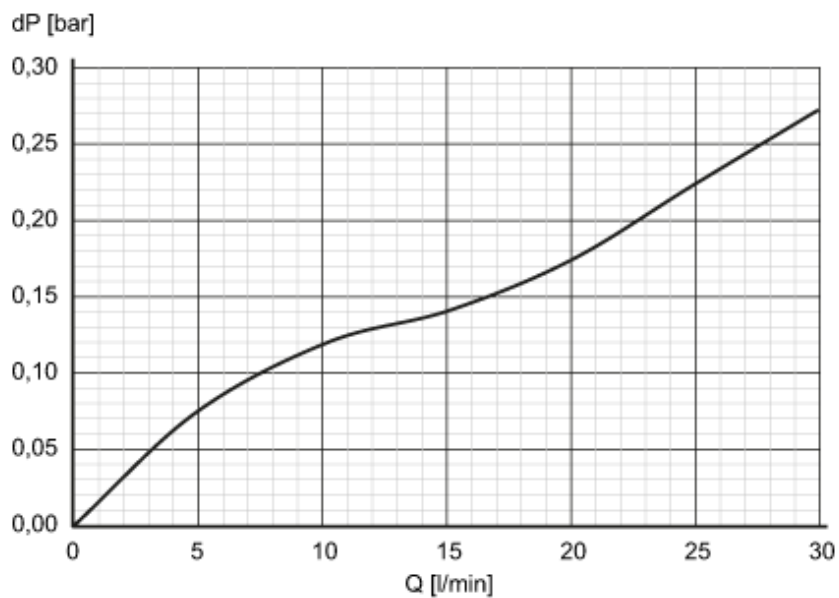
colours to DIN EN 60947-5-2

Core colours :

BN = brown
BU = blue
WH = white

Diagrams and graphs

Pressure loss



dP Pressure loss

Q volumetric flow quantity