

## MVK+MPNIO DI8 DI8 POF (POLYMER OPTICAL FIBER)

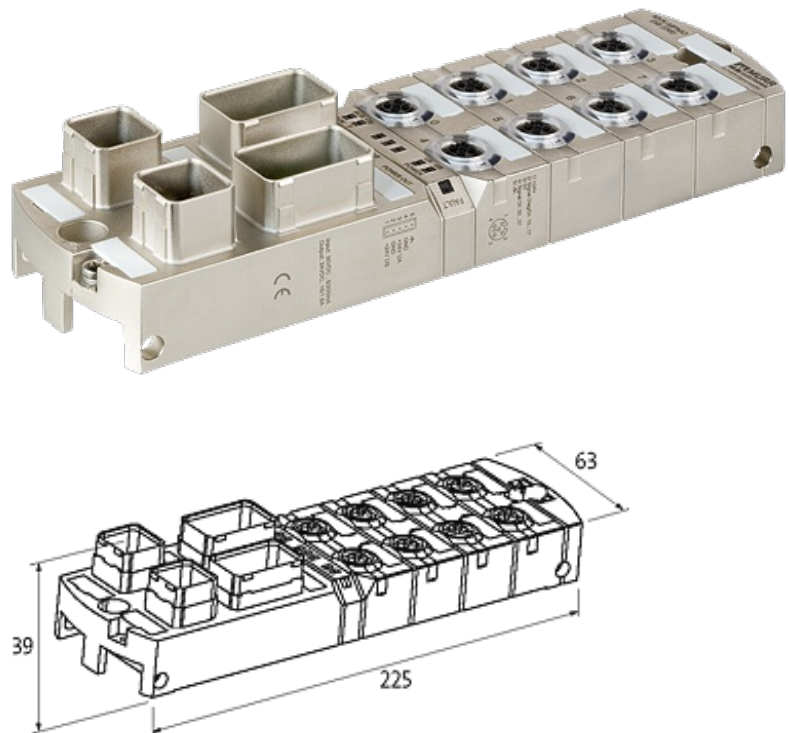
Push Pull galvanic separation

Digital inputs  
DI8 (DI8)  
POF Push Pull

For connection cables please see chapter "Connection Technology" All housings are fully potted

### [Link to Product](#)

#### Illustration



Product may differ from Image

#### More Info



#### Input

Sensor supply US	24 V DC (EN 61131-2), max. 200 mA (M12 female), short-circuit and overload protected
Type	for 3-wire sensors or mechanical switches, PNP, (EN 61131-2)

#### Connections

Fieldbus	2 × SCRJ45 POF-Push Pull
Sensor-system/actuator supply	Power plug, Push Pull, max. 12 A
I/O ports	M12, A-coded, 5-pole
<b>Fieldbus</b>	
Operating voltage	24 V DC (EN 61131-2)
Operating modes	Autonegotiation/Auto MDI/MDI-X/MRP
Transfer rate	to 100 Mbit/s Full Duplex
FSU (Fast-Start-Up)	max. 500 ms
<b>General data</b>	
Protection	IP67
Mounting method	2-hole screw mounting
Temperature range	0...+55 °C (storage temperature -20...+70 °C)
Dimensions H × W × D	56.2×63×225 mm
<b>Parameterization</b>	
PIN 4	Input
PIN 2	Input
<b>Diagnostic</b>	
Communication status	via LED
Diagnostic via LED	per module and channel
Diagnostic via BUS	per module and channel
Monitoring - under voltage	yes
Monitoring - no voltage	yes
Short circuit and overload	yes
Actuator warning	per channel via LED and BUS
Cable break	per port
Further	POF- dumping/length measurement
<b>Commercial data</b>	
country of origin	DE
customs tariff number	85389099
minimum order quantity	1