

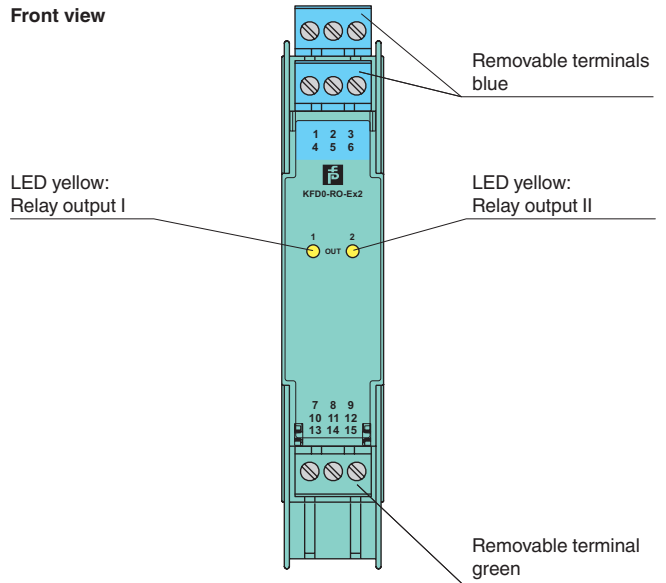
Features

- 2-channel isolated barrier
- 24 V DC supply (loop powered)
- Relay contact output
- Logic input 15 V DC ... 30 V DC, non-polarized
- Up to SIL3 acc. to IEC 61508

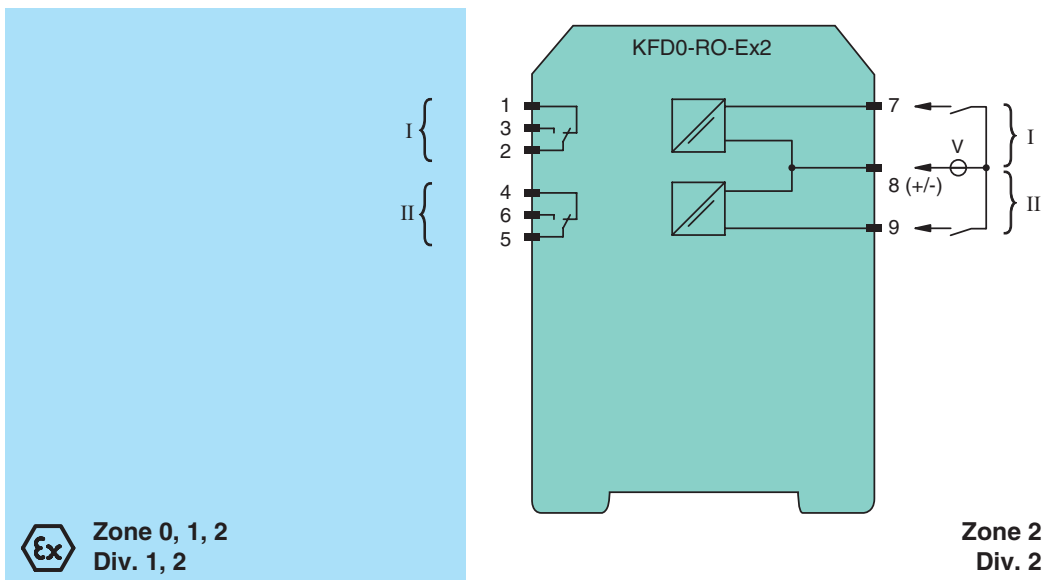
Function

This isolated barrier is used for intrinsic safety applications. The device switches intrinsically safe circuits on the field side. Typical applications for the use of the device are remote reset, fire alarm testing or remote calibration of strain gauges. The outputs are galvanically isolated to the inputs. The inputs are not polarized and share a common reference potential. Each input of the device is protected by a fuse and an electronic current limiting.

Assembly



Connection



Release date 2015-02-19 11:49 Date of issue 2015-02-19 038975_eng.xml

Refer to "General Notes Relating to Pepperl+Fuchs Product Information".

Pepperl+Fuchs Group
www.pepperl-fuchs.com

USA: +1 330 486 0002
pa-info@us.pepperl-fuchs.com

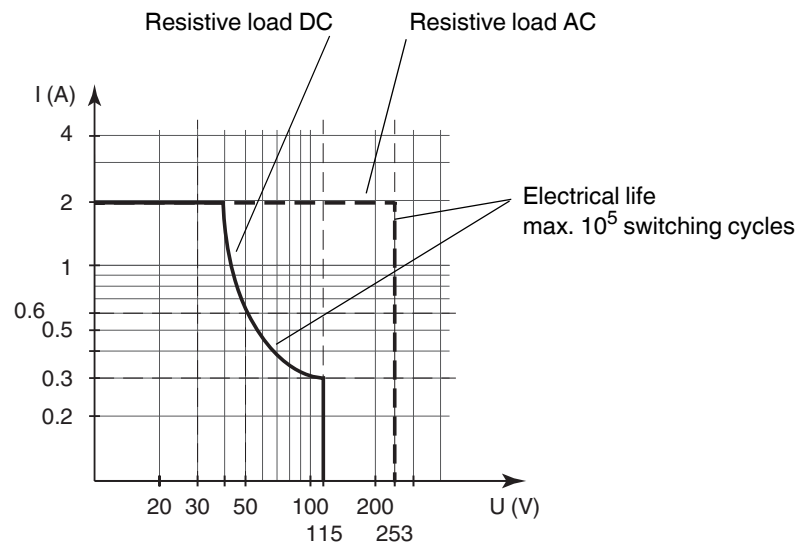
Germany: +49 621 776 2222
pa-info@de.pepperl-fuchs.com

Singapore: +65 6779 9091
pa-info@sg.pepperl-fuchs.com

General specifications	
Signal type	Digital Output
Supply	
Power loss	0.8 W
Input	
Connection	terminals 7, 8, 9
Input voltage	15 ... 30 V DC
Input current	≤ 21 mA per channel
Output	
Safety note	Attention! Combination of output Ex i with output not Ex i is not permitted. If load voltage > 50 V, de-energize before removing the terminals.
Connection	terminals 1, 2, 3; 4, 5, 6
Contact loading	230 V AC/2 A/cos φ > 0.7; 40 V DC/2 A resistive load
Energized/De-energized delay	approx. 10 ms / approx. 5 ms
Mechanical life	5 x 10 ⁶ switching cycles
Transfer characteristics	
Switching frequency	< 10 Hz
Electrical isolation	
Input/Output	reinforced insulation according to IEC/EN 61010-1, rated insulation voltage 300 V _{eff}
Output/Output	basic insulation according to IEC/EN 61010-1, rated insulation voltage 300 V _{eff}
Directive conformity	
Electromagnetic compatibility	
Directive 2004/108/EC	EN 61326-1:2006
Low voltage	
Directive 2006/95/EC	EN 61010-1:2010
Conformity	
Electromagnetic compatibility	NE 21:2006
Degree of protection	IEC 60529:2001
Ambient conditions	
Ambient temperature	-20 ... 65 °C (-4 ... 149 °F)
Mechanical specifications	
Degree of protection	IP20
Mass	approx. 100 g
Dimensions	20 x 119 x 115 mm (0.8 x 4.7 x 4.5 in) , housing type B2
Mounting	on 35 mm DIN mounting rail acc. to EN 60715:2001
Data for application in connection with Ex-areas	
EC-Type Examination Certificate	DMT 00 ATEX E 016 , for additional certificates see www.pepperl-fuchs.com
Group, category, type of protection	⊕ II (1)GD [Ex ia] IIC , [Ex iaD] , I (M1) [Ex ia] I
Output	Ex ia
Voltage U _i	60 V
Current I _i	2 A
Input	
Maximum safe voltage U _m	40 V DC (Attention! U _m is no rated voltage.)
Output	
Contact loading	50 V AC/2 A ; 40 V DC/2 A (TÜV 00 ATEX 1621 X)
Statement of conformity	TÜV 00 ATEX 1621 X , observe statement of conformity
Group, category, type of protection, temperature class	⊕ II 3G Ex nA nC IIC T4
Electrical isolation	
Input/Output	safe electrical isolation acc. to IEC/EN 60079-11, voltage peak value 375 V
Output/Output	safe electrical isolation acc. to IEC/EN 60079-11, voltage peak value 60 V
Directive conformity	
Directive 94/9/EC	EN 60079-0:2012+A11:2013 , EN 60079-11:2012 , EN 60079-15:2010 , EN 60079-26:2007 , EN 50303:2000
International approvals	
CSA approval	
Control drawing	116-0156
General information	
Supplementary information	EC-Type Examination Certificate, Statement of Conformity, Declaration of Conformity, Attestation of Conformity and instructions have to be observed where applicable. For information see www.pepperl-fuchs.com.

Release date 2015-02-19 11:49 Date of issue 2015-02-19 038975_eng.xml

Maximum switching power of output contacts



The maximum number of switching cycles is depending on the electrical load and may be higher when reduced currents and voltages are applied.