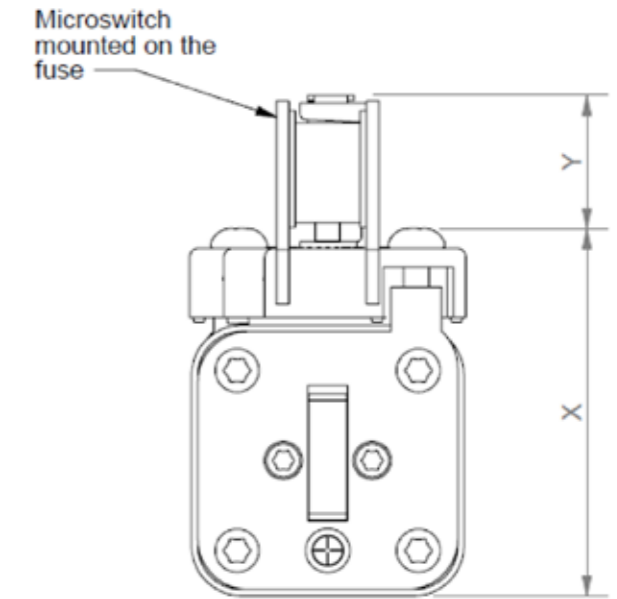
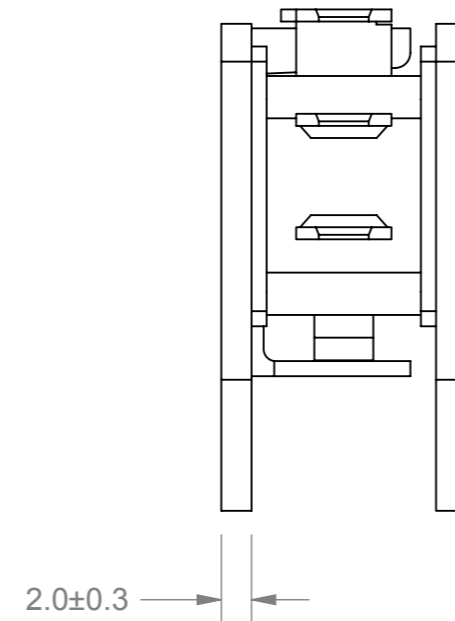
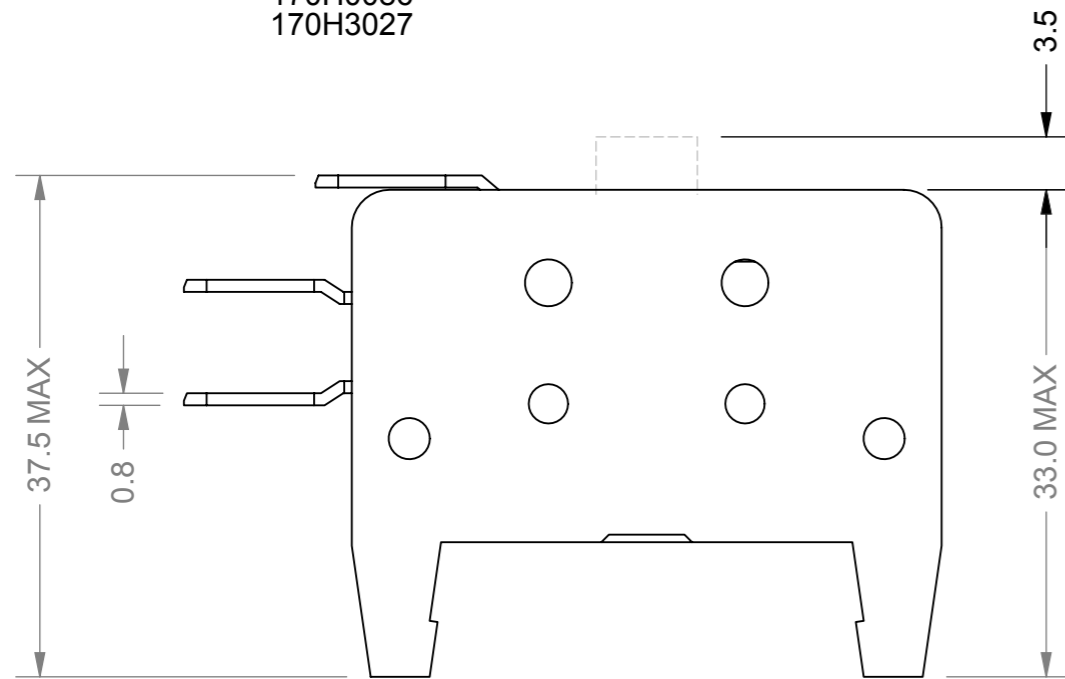


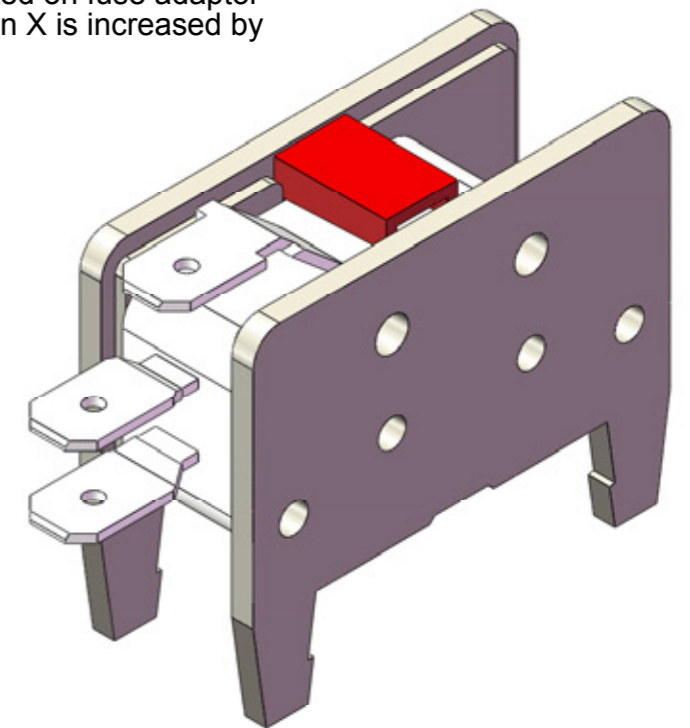
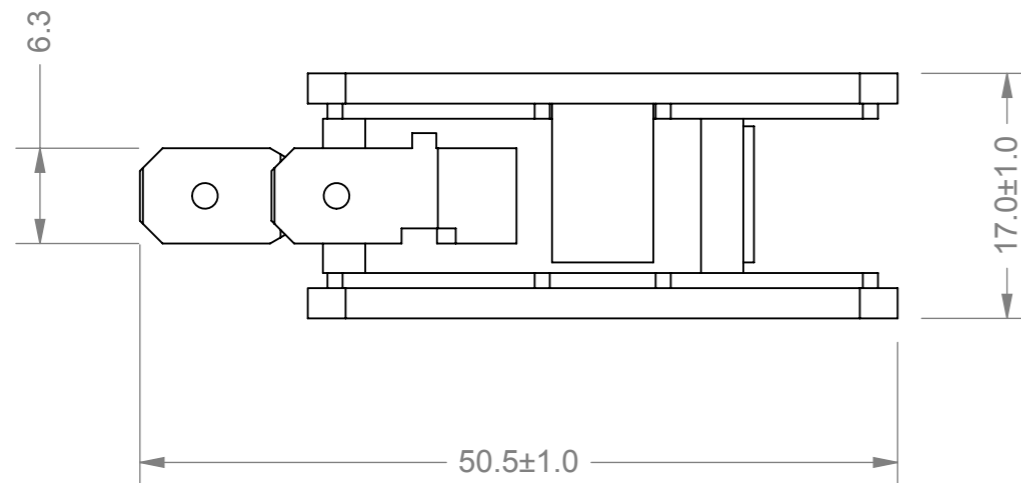
REVISION

REV	DESCRIPTION	BY	DATE	CHANGE NO.
A	REDRAWN IN SOLIDWORKS; FIRST ISSUE	SEN	04/06/2009	14008

ordering No, 170H0069  
170H0086  
170H3027



Note:  
When mounted on fuse adaptor  
the dimension X is increased by  
Y=25mm



MODEL VERSION: 00	MATERIAL: VARIOUS	UNLESS OTHERWISE SPECIFIED, ALL DIMENSIONS ARE IN MILLIMETERS.		 COOPER Bussmann (UK) Ltd Burton-on-the-Wolds, Leics, LE12 5TH Tel +44 1509 882 600 Fax +44 1509 882786 COOPER Bussmann (Denmark) Lillevu 5, DK 2740 Skovlunde Tel +45 4485 0919 Fax +45 4485 0906					
	FINISH:	TOLERANCES UNLESS OTHERWISE SPECIFIED: GENERAL ± 0.2mm ANGULAR ± 1°							
MODEL SOURCE FILE: 170X0344	SURFACE AREA: VARIOUSmm <sup>2</sup>	UNCONTROLLED COPY		TITLE: Clip-on Type K Microswitches 170H0069, 170H0086, 170H3027					
	VOLUME:	THIS DRAWING IS CONFIDENTIAL AND THE COPYRIGHT OF COOPER BUSSMANN AND MUST NOT BE COPIED OR PASSED ON TO A THIRD PARTY WITHOUT WRITTEN CONSENT		DWG NO: 170X0344					
	MASS:			DRAWN BY: SEN	CHECKED BY: JM	DATE: 04/06/2009	SCALE: 2:1	ANGLE: FIRST	REV: A
				SIZE: A3	SHEET: 1 OF 1				