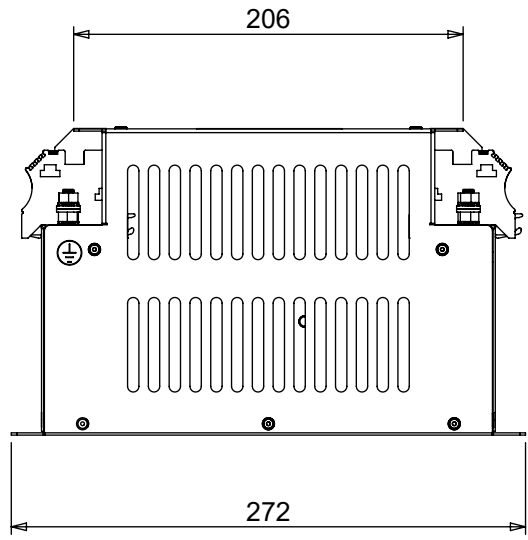
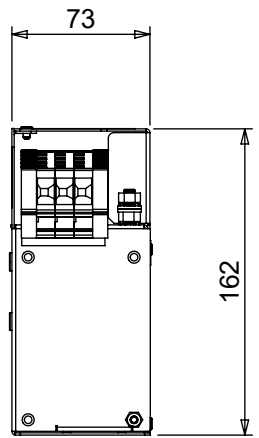
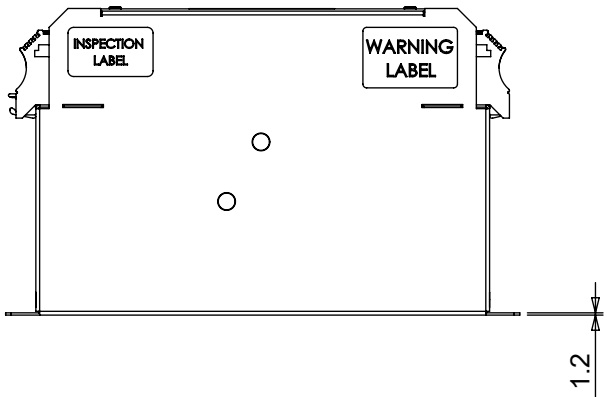
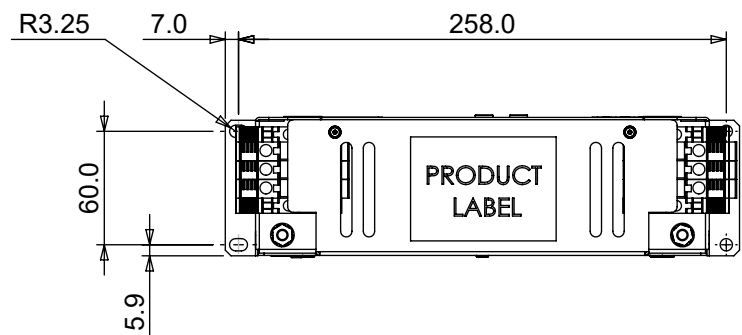
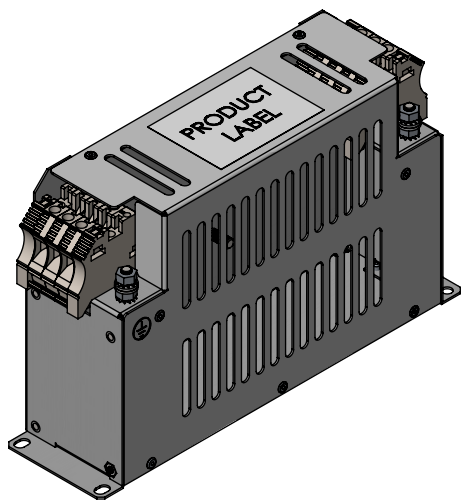


KMF350	
AKA	n/a
Device	rfi filter
Current	50A 40°C
Earthing	M6x20 stud 4Nm
Enclosure	aluminium 1.2mm
Loss	7W/ph
Leakage	2mA operating
Mass	2.7kg
Mounting	M6 4.5Nm
PCB	FR4 AVLV2 VW-1 600V 105°C IIIa
Potting	air
Power	41.5kW(12kW)
Protection	IP20
Resistance	2.8mR/ph
Residual	463V 5s
SCCR	200kA when fused
Style	terminal filter
Terminal	screw 2.5-10mm <sup>2</sup> 1.9Nm 12mm
Varistor	n/a
Supply	3P 480V 50/60Hz
Voltage	528V (480V IT) max
Withstand	2900Vdc 60s
Altitude	2000m w/out derating
Bonding	25A 50/60Hz
Class	class I
Environment	-25/+85/21
Flammability	UL94 V-2 min
Humidity	93% RH non-condensing
Insulation	500Vdc ≥3.5MR
Material	group IIIB
MTBF	22yrs (MIL-HDBK-217F)
Overload	135% 2hrs 150% 60s
Overvoltage	category II
Packaging	ASTM D7386
Pollution	degree II
Shock	15g 11mS
Spacing	≥50mm from ventilated surfaces
Vibration	5-55Hz 350um 55-500Hz 2G
EU	CE EN60939
US	uR UL1283
CAN	cUR CSA22.2
OTHER	n/a



+44(0)1724 273200      www.dem-uk.com

**PROPRIETARY AND CONFIDENTIAL:**

THE INFORMATION CONTAINED IN THIS DRAWING IS THE SOLE PROPERTY OF ALPHA 3 MANUFACTURING. ANY REPRODUCTION IN PART OR AS A WHOLE WITHOUT THE WRITTEN PERMISSION OF ALPHA 3 MANUFACTURING IS PROHIBITED.

DEM Manufacturing is a division of Alpha 3 Manufacturing LTD  
 DEM Manufacturing, Deltron Emcon House, Hargreaves Way,  
 Sawcliffe Ind. Park, Scunthorpe, North Lincolnshire, DN15 8RF, UK

UNLESS OTHERWISE SPECIFIED DIMENSIONS ARE IN MILLIMETRES  
 LINEAR & RADIAL TOLERANCE:  
**NO DECIMAL PLACES ±0.5mm**  
**1 DECIMAL PLACE ±0.25mm**  
**2 DECIMAL PLACES ±0.125mm**  
**ANGULAR TOLERANCE: ±1°**

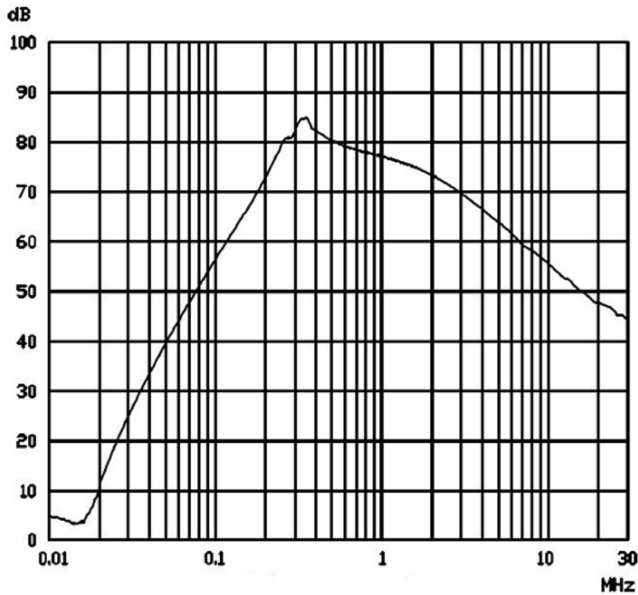
**IF IN DOUBT ASK! DO NOT SCALE DRAWING!**

FINISH	-
MATERIAL	-

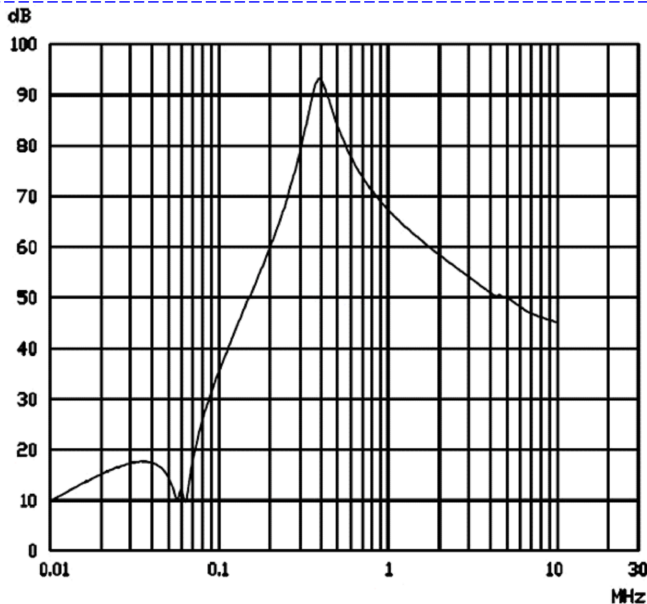
THE FINISHED PRODUCT SHOULD BE CLEAN AND FREE FROM ALL LIQUIDS AND DEBRIS. SURFACES SHOULD BE OF UNIFORM APPEARANCE FREE FROM SHARP EDGES, BURRS AND CORROSION

AUTHOR	SW
EDITOR	SW
APPROVER	SW
THIRD ANGLE PROJECTION	
SHEET 1 OF 2	A4
SCALE 1:5	A4

TITLE	SPECIFICATION	
FILE	KMF350	
PART	KMF350	
ISSUE/REV.	012	EDIT DATE 14/01/2020
RELEASED		RELEASE DATE 14/01/2020



A1: 50/50Ω ASYMMETRICAL (COMMON)



A2: 50/50Ω SYMMETRICAL (DIFFERENTIAL)

B: 50/50Ω ASYMMETRICAL (COMMON) LINE Y-CAP/CLIP REMOVED

C: 50/50Ω ASYMMETRICAL (COMMON) LOAD Y-CAP/CLIP REMOVED

D: 50/50Ω ASYMMETRICAL (COMMON) Y-CAPS/CLIPS REMOVED

**PROPRIETARY AND CONFIDENTIAL:**

THE INFORMATION CONTAINED IN THIS DRAWING IS THE SOLE PROPERTY OF ALPHA 3 MANUFACTURING. ANY REPRODUCTION IN PART OR AS A WHOLE WITHOUT THE WRITTEN PERMISSION OF ALPHA 3 MANUFACTURING IS PROHIBITED.

DEM Manufacturing is a division of Alpha 3 Manufacturing LTD  
 DEM Manufacturing, Deltron Emicon House, Hargreaves Way,  
 Sawcliffe Ind. Park, Scunthorpe, North Lincolnshire, DN15 8RF, UK

UNLESS OTHERWISE SPECIFIED  
 DIMENSIONS ARE IN MILLIMETRES  
 LINEAR & RADIAL TOLERANCE:  
**NO DECIMAL PLACES ±0.5mm**  
**1 DECIMAL PLACE ±0.25mm**  
**2 DECIMAL PLACES ±0.125mm**  
**ANGULAR TOLERANCE: ±1°**

**IF IN DOUBT ASK! DO NOT SCALE DRAWING!**

FINISH	-
MATERIAL	-
THE FINISHED PRODUCT SHOULD BE CLEAN AND FREE FROM ALL LIQUIDS AND DEBRIS. SURFACES SHOULD BE OF UNIFORM APPEARANCE FREE FROM SHARP EDGES, BURRS AND CORROSION	

AUTHOR		TITLE	
EDITOR	SW	FILE	KMF350
APPROVER	SW	PART	KMF350
THIRD ANGLE PROJECTION		ISSUE/REV.	012
SHEET 2 OF 2		EDIT DATE	14/01/2020
SCALE 1:1	A4	RELEASED	RELEASE DATE 14/01/2020