
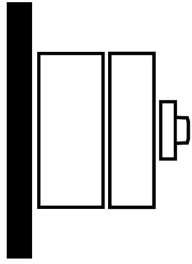




Part no.
Article no.

DMM-160/3N/I5/P-B
172789

Delivery programme

Product range				Main switch maintenance switch Repair switch
Part group reference				DMM with blue knob in CI-K5 enclosure
Notes				auxiliary contact fitted by user
Main circuits Poles				3 + N
Auxiliary contacts				
			N/O	0
			N/C	0
Locking facility				1 padlock,  5 mm
Degree of Protection				IP65
Design				surface mounting
				
Motor rating AC-23A, 50 - 60 Hz				
400 V	P	kW		75
Rated uninterrupted current	I_u	A		160

General

Standards				IEC/EN 60947, VDE 0660, IEC/EN 60204, Switch-disconnector according to IEC/EN 60947-3
Certifications				CE, RoHs, KEMA, GOST-R, Lloyds
Ambient temperature			°C	
Operation	θ	°C		-25 - +60
Storage	θ	°C		-40 - +80
Overvoltage category/pollution degree				III/3
Rated impulse withstand voltage	U_{imp}	V AC		6000
Rated insulation voltage	U_i	V AC		1000
Mounting position				As required
Protection against direct contact when actuated from front (EN 50274)				Finger and back-of-hand proof

Contacts

Mechanical variables				
Main circuits Poles				3 + N
Auxiliary contacts				

		N/O	0
		N/C	0
Electrical characteristics			
Rated operational voltage	U_e	V AC	690
Rated uninterrupted current	I_u	A	160
Note on rated uninterrupted current I_u			Rated uninterrupted current I_u is specified for max. cross-section.
Short-circuit rating			
fuse			160
Rated conditional short-circuit current	I_q	kA	415 V: 30 690 V: 50
Breaking current		kA	13.5
max. let-through energy		kA^2s	86,9
Rated short-time withstand current (1 s current)	I_{cw}	A_{rms}	2500
Note on rated short-time withstand current I_{cw}			Current for a time of 1 second

Switching capacity

Rated breaking capacity $\cos \varphi$ to IEC 60947-3		A	
400/415 V		A	1080
500 V		A	528
690 V		A	336
Safe isolation to EN 61140			
Current heat loss per contact at I_e		W	7.4
Lifespan, mechanical	Operations		10000
AC			
AC-21A			
Rated operational current switch			
400 V 415 V	I_e	A	160
500 V	I_e	A	160
690 V	I_e	A	160
AC-22A			
Rated operational current switch			
400 V 415 V	I_e	A	160
500 V	I_e	A	160
690 V	I_e	A	160
AC-23A			
Rated operational current switch			
400 V 415 V	I_e	A	135
500 V	I_e	A	66
690 V	I_e	A	42
Motor rating AC-23A, 50 - 60 Hz			
400 V 415 V	P	kW	75
500 V	P	kW	45
690 V	P	kW	37

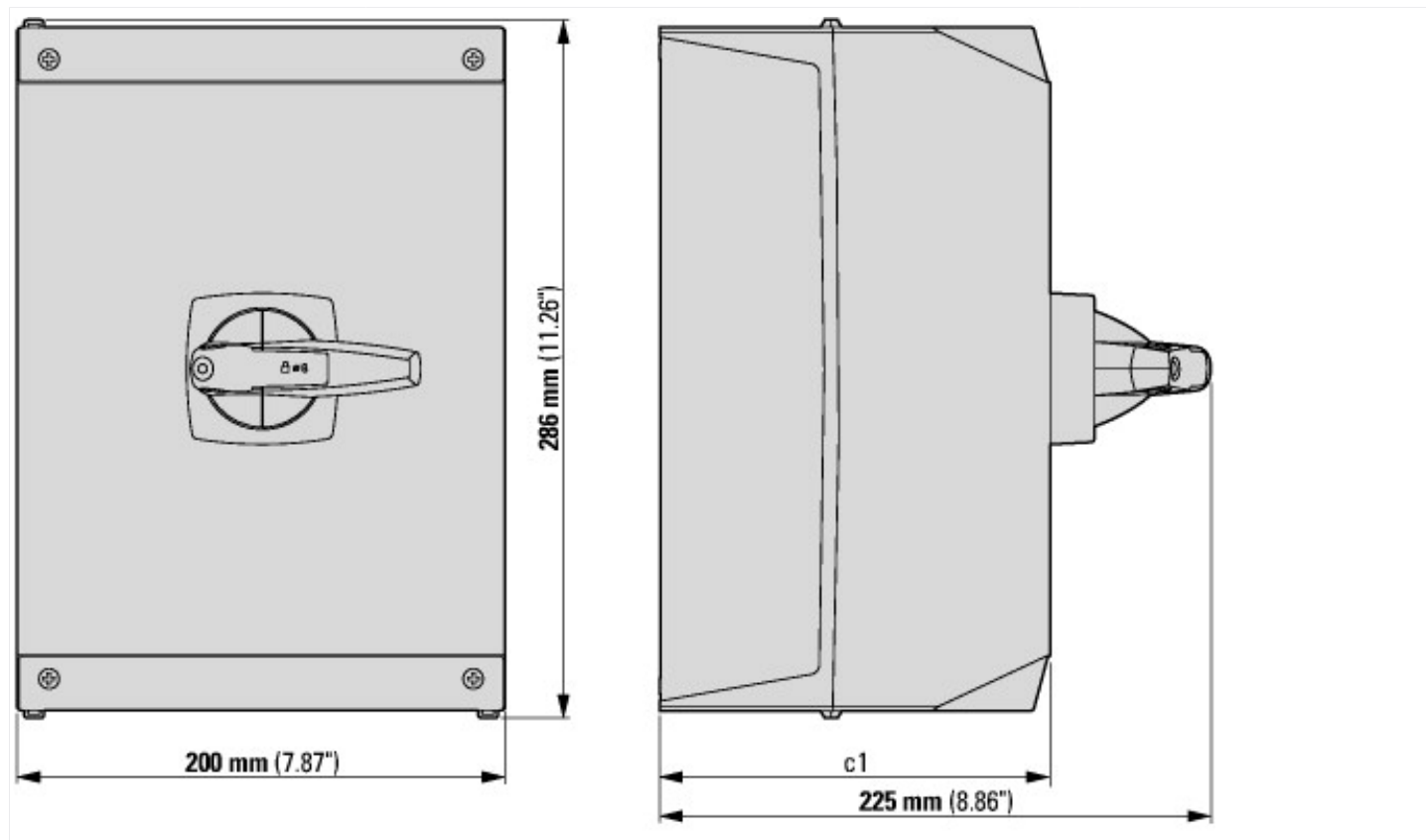
Terminal capacities

Flexible with ferrules to DIN 46228		mm^2	
flexible		mm^2	6 - 70
Max. tightening torque		Nm	3.8

Technical safety parameters:

Notes			B10 _q values as per EN ISO 13849-1, table C1
--------------	--	--	---

Dimensions



Additional product information (links)

IL008006Z Switch-disconnectors

IL008006Z Switch-disconnectors	ftp://ftp.moeller.net/DOCUMENTATION/AWA_INSTRUCTIONS/IL008006ZU2014_02.pdf
Technical overview cam switch, switch-disconnector	http://de.ecat.moeller.net/flip-cat/?edition=HPLTEv1&startpage=4.2
System overview cam switch T	http://de.ecat.moeller.net/flip-cat/?edition=HPLTEv1&startpage=4.4
System overview switch-disconnector P	http://de.ecat.moeller.net/flip-cat/?edition=HPLTEv1&startpage=4.6
Key to part numbers Cam switch	http://de.ecat.moeller.net/flip-cat/?edition=HPLTEv1&startpage=4.8
Key to part numbers Switch-disconnector	http://de.ecat.moeller.net/flip-cat/?edition=HPLTEv1&startpage=4.8
Switches for ATEX Zone 22	http://www.coopercrouse-hinds.eu/en/products/10-ex-safety-and-main-current-switches.html