

DATA

# Multi-TC

**Powerful universal soldering iron with temperature control integrated in the handle**



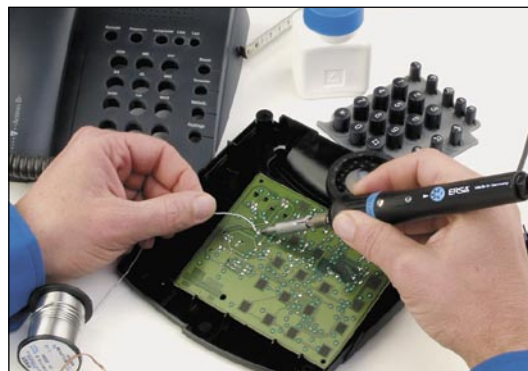
**Highest flexibility, maximum power, precise control electronics and a large variety of soldering tips and inserts!**

The ERSA Multi-TC is a powerful universal soldering iron with a sensitive temperature sensor which is integrated in the internally heated soldering tip. This temperature sensor measures the actual temperature directly at the soldering joint. Thus the heating system reacts immediately to heat losses and provides further heat.

The direct temperature measurement together with the precise control electronics which are integrated in the handle allow professional processing of both finest soldering joints of sensible components and heavy mass soldering.

Due to its heat resistant cable the ERSA Multi-TC is perfectly suited for applications in servicing, maintenance and repair. The large selection of soldering tips and inserts opens up numerous further applications.

Owing to the Multi-TC's considerable heating power with ceramic PTC heating element it is even a perfect match when it comes to leaded windows and Tiffany soldering.



## **ERSA product range**

### **Soldering tools**

#### NEW DIMENSION

- Soldering / desoldering stations
- SMD-Equipment
- Accessories

#### PROFI-LINE

- Hand soldering tools
- Battery-powered / gas soldering irons
- Solder baths

#### Special tools

#### BGA/SMT-Rework

- IR Rework Center
- Placing systems
- Reflow process camera

#### CLEAN-AIR

### **Soldering systems**

- Wave soldering machines
- Reflow soldering machines
- Selective soldering machines
- Process optimization software

### **Inspection systems**

- ERSASCOPE
- ImageDoc Software

### **Other services**

- Know-how seminars
- In-House trainings
- Test soldering
- Installation and maintenance assistance
- Process support

# Multi-TC

The flexible soldering tool  
for service, maintenance and repair



### Technical data:

Rating: 75 W / 350°C/662°F  
 Heat-up rating: up to 285 W  
 Heat-up time: approx. 34 s up to 280°C/536°F  
 Control techn.: SENSOTRONIC  
 Temp. range: 250°C - 450°C/482°F - 842°F  
 Weight: 60 g/2.12 oz

### Order nos.:

#### 0760CD Soldering iron Multi-TC

consisting of:  
 0760CD Multi-TC with tip 0842 CD,  
 chisel-shaped, 2.2 mm/0.087 in  
 0A18 Holder

### Order nos.:

#### 0760VD0025 "Tiffany Set"

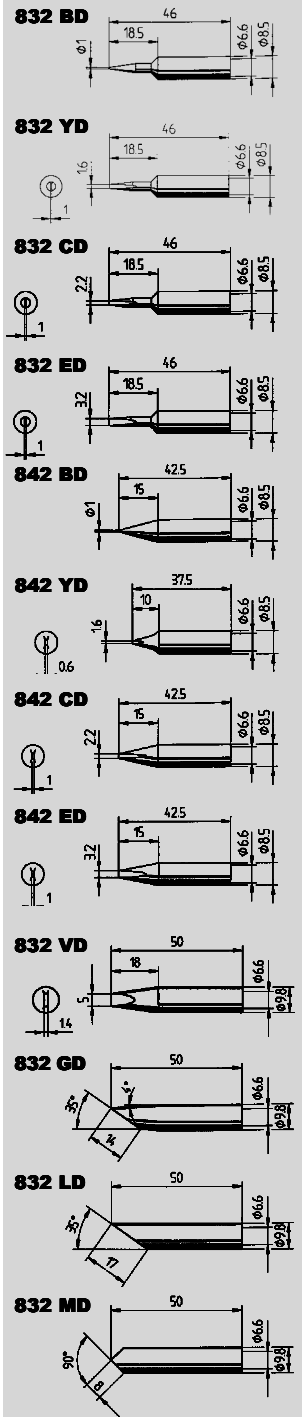


consisting of:  
 Multi-TC with tip 0832VD, chisel-shaped, 5.0 mm/  
 0.197 in; additional tip 0832VD; holder; 100 g/  
 3.53 oz tiffany solder wire, Sn60Pb,  $\varnothing$  3 mm/  
 0.118 in; 25 ml/1.525 cu.in. liquid flux and sponge

### suitable soldering tips for Multi-TC:

0832BD	pencil point, 1.0 mm/0.039 in $\varnothing$
0832YD	chisel-shaped, 1.6 mm/0.063 in
0832CD	chisel-shaped, 2.2 mm/0.087 in
0832ED	chisel-shaped, 3.2 mm/0.126 in
0842BD	pencil point, 1.0 mm/0.039 in $\varnothing$
0842YD	chisel-shaped, 1.6 mm/0.063 in
0842CD	chisel-shaped, 2.2 mm/0.087 in
0842ED	chisel-shaped, 3.2 mm/0.126 in
0832VD	chisel-shaped, 5.0 mm/0.197 in
0832GD	angled face, 14 mm/0.551 in, 35°
0832LD	angled face, 17 mm/0.669 in, 35°
0832MD	angled face both sides, 8 mm/0.315 in

Further tips on request!



ERSA GmbH  
 Leonhard-Karl-Str. 24  
 P.O.Box 1261  
 97862 Wertheim/Germany  
 Tel: +49(0)9342/800-0  
 Fax: +49(0)9342/800-250  
 e-mail: info@ersa.de  
 http://www.ersa.com

A Kurtz Company