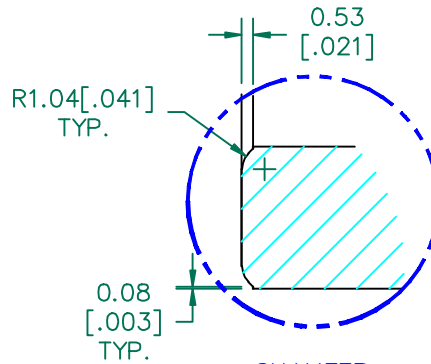


SEE DETAIL "A"

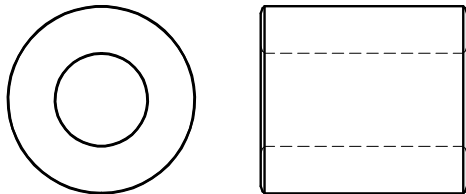
SECTION A-A



CHAMFER  
DETAIL A  
SCALE" 3:1

**UNCONTROLLED  
DOCUMENT**

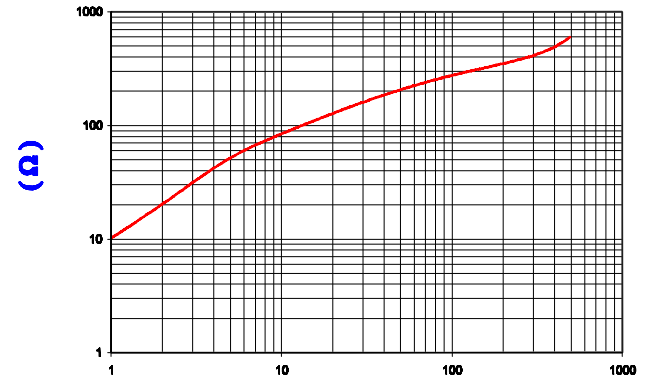
SCALE DRAWING 1:1



28B1020-100

IMPEDANCE ( Z )			
Frequency	25 MHz	100 MHz	300 MHz
Nominal (REF)	147 Ω	276 Ω	412 Ω
Minimum	- Ω	220 Ω	- Ω

Z vs. FREQUENCY  
(REF. ONLY)



FREQUENCY (MHz)

AGILENT E4991A Impedance/Material Analyzer  
HP 16092A-Test Fixture

FERRITE CORE DIMENSIONS (SPEC): mm [in]

A	25.91 [1.020]	±	0.46 [.018]
B	12.83 [.505]	±	0.25 [.010]
C	28.58 [1.125]	±	0.76 [.030]

WEIGHT/1000 56.01 kgs [123.49 Lbs]

DIMENSIONS ARE IN mm [INCHES].			
F	UPDATE COMPANY LOGO & DETAIL A CALLOUT	4/15/09	JRK
E	UPDATE FORMAT & Z SPECS, ADD CURVE REM COATING SPECS, CHG P/N FROM 10*	07/22/03	JRK
D	UPDATE PRINT FORMAT ADD DETAIL	12/28/01	JRK
C	CHG P/N FROM 28B1020-100, ADD COATINGS	03/24/99	IS
B	UPDATED TO STANDARD FORMAT	09/11/95	JBE
A	ORIGINAL DRAFT	07/03/90	DJB
REV	DESCRIPTION	DATE	INT

This print is the property of Laird Tech. and is loaned in confidence subject to return upon request and with the understanding that no copies shall be made without the written consent of Laird Tech. All rights to design or invention are reserved.



PROJECT/PART NUMBER: <b>28B1020-100</b>		REV <b>F</b>	PART TYPE: <b>FERRITE CORE</b>	DRAWN BY: <b>DJB</b>
DATE: 07/03/90	SCALE: 1.5 : 1	MATERIAL: <b>FERRITE</b>		
CAD # 28B1020-100-F	TOOL # B1020			