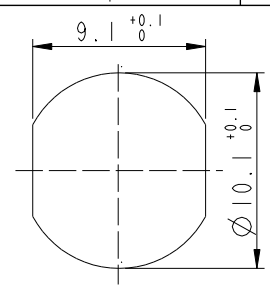
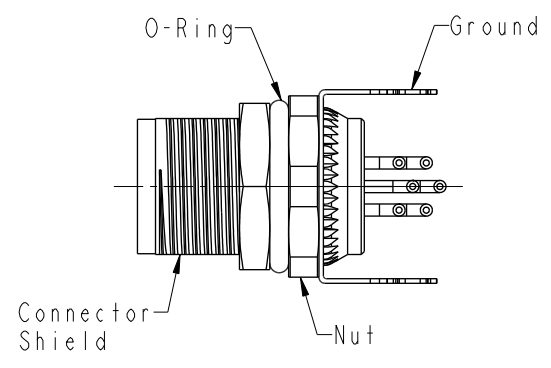
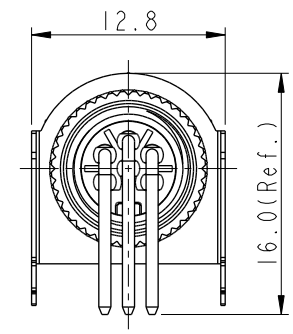
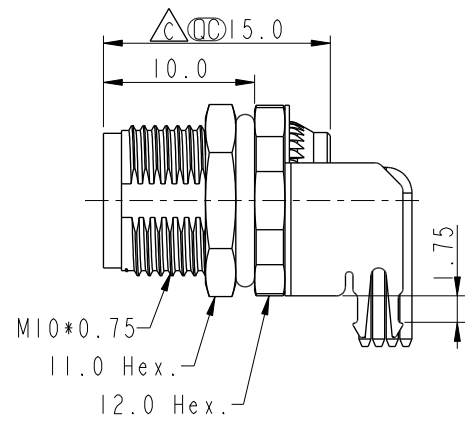
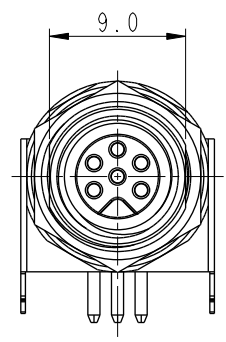


THIS DOCUMENT IS SUBJECT TO CHANGE WITHOUT NOTICE. IT IS CONFIDENTIAL AND A PROPERTY OF Amphenol LTW. DISCLOSURE TO THIRD PARTY HAS TO BE AUTHORIZED BY Amphenol LTW.

REV.	ECN NO.	DATE	SIGN	DESCRIPTION
B	LEN16B0005-009	2016/11/01	Yulong_wang	Change the Note
C	C210686	2021/05/11	Vicky	$\triangle C$ X5
D	C221882	2022/12/19	Vicky	$\triangle D$ XI



Recommended Panel Cut-Out



- $\triangle C$ Note:
- * RoHS Compliant
 - * $\triangle C$ Important dimension
 - $\triangle D$ * Waterproof rate: IP68, unmated 1m/24h
 - * Connector
 - Housing: Thermoplastic, Black
 - $\triangle B$ * Pin: Copper alloy, Gold plated
 - O-Ring: Rubber, Green
 - * Shield: Metal
 - * Ground: Metal
 - * Nut: Metal
 - * O-Ring: Rubber, Green
 - * For panel thickness: 2.0~4.5mm
 - * For pcb thickness max: 1.6mm
 - * Nut is packed separately in pe bag

UNIT: mm		
TOLERANCE	± 0.25	
.X	± 0.1	
.XX	± 0.05	
.XXX	± 0.05	
ANGLES	$\pm 1^\circ$	

TITLE N SEN, M8W/KEY-SHLD, SCREW RECEPTACLE, F, F, PCB R $\triangle C$		
SCALE 2:1	SIZE A4	SHEET 1 OF 2
REV. D	WC-REV. A.6	$\triangle C$: Inspection item

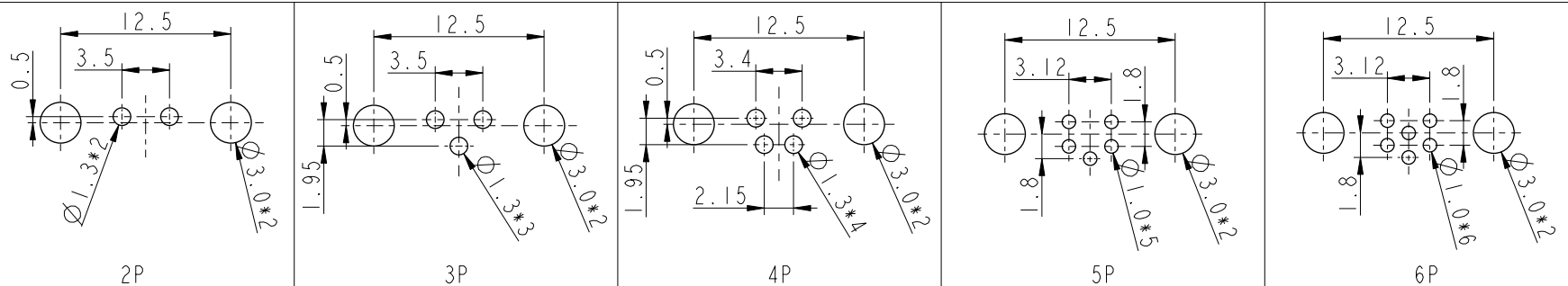
Amphenol LTW
 安費諾亮泰企業股份有限公司

ITEM NO.	DRAWN BY Yulong_wang	DATE 2016-11-01
DWG NO. M8AS-XXPFFR-SF8001	CHECKED BY Jinhai	DATE 2016-11-01
CUSTOMER ALTW	APPROVED BY Jerry	DATE 2016-11-01

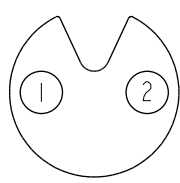
THIS DOCUMENT IS SUBJECT TO CHANGE WITHOUT NOTICE. IT IS CONFIDENTIAL AND A PROPERTY OF Amphenol LTW. DISCLOSURE TO THIRD PARTY HAS TO BE AUTHORIZED BY Amphenol LTW.

△
M8AS-XXPFFR-SF8001

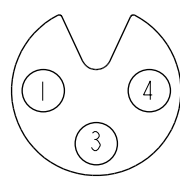
XX: No. Of Pin



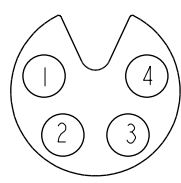
PCB Layout



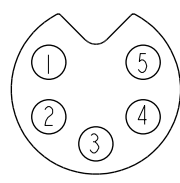
2P



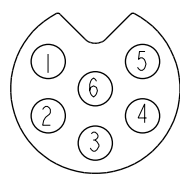
3P



4P



5P



6P

Pin Assignments Front View

UNIT: mm		
TOLERANCE		
.X	±0.25	
.XX	±0.1	
.XXX	±0.05	
ANGLES	±1°	

TITLE N SEN, M8W/KEY-SHLD, SCREW RECEPTACLE, F, F, PCB R			△
SCALE 2:1	SIZE A4	SHEET 2 OF 2	
REV. D	WC-REV. A.6	QC: Inspection item	

Amphenol LTW
安費諾亮泰企業股份有限公司

ITEM NO	DWG NO
	M8AS-XXPFFR-SF8001
CUSTOMER	ALTW

DRAWN BY	CHECKED BY
Yulong_wang	Jinhai
APPROVED BY	
Jerry	

DATE	DATE
2016-11-01	2016-11-01
DATE	DATE
2016-11-01	2016-11-01