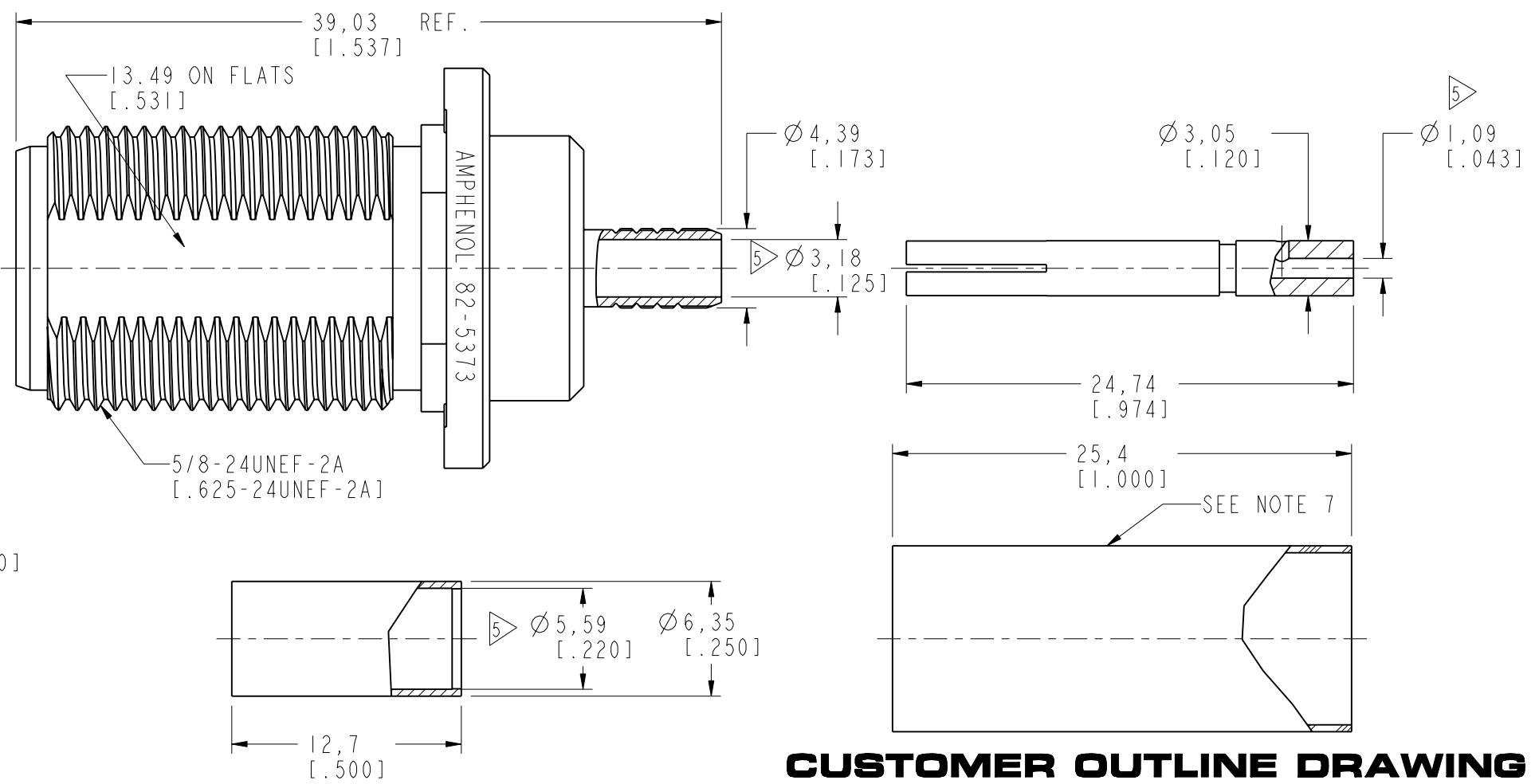
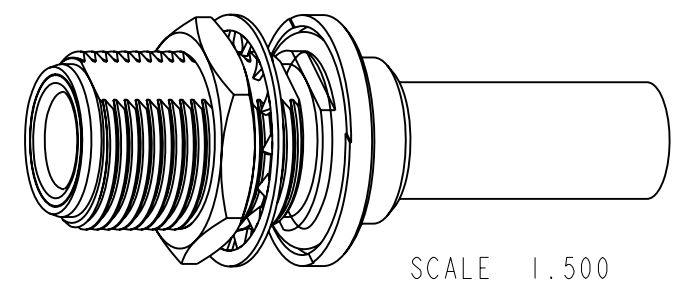
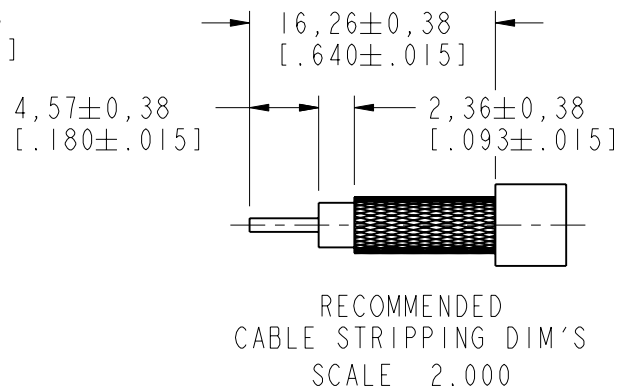
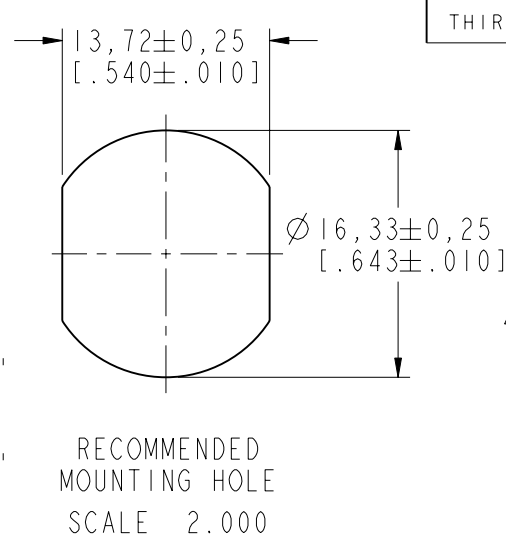
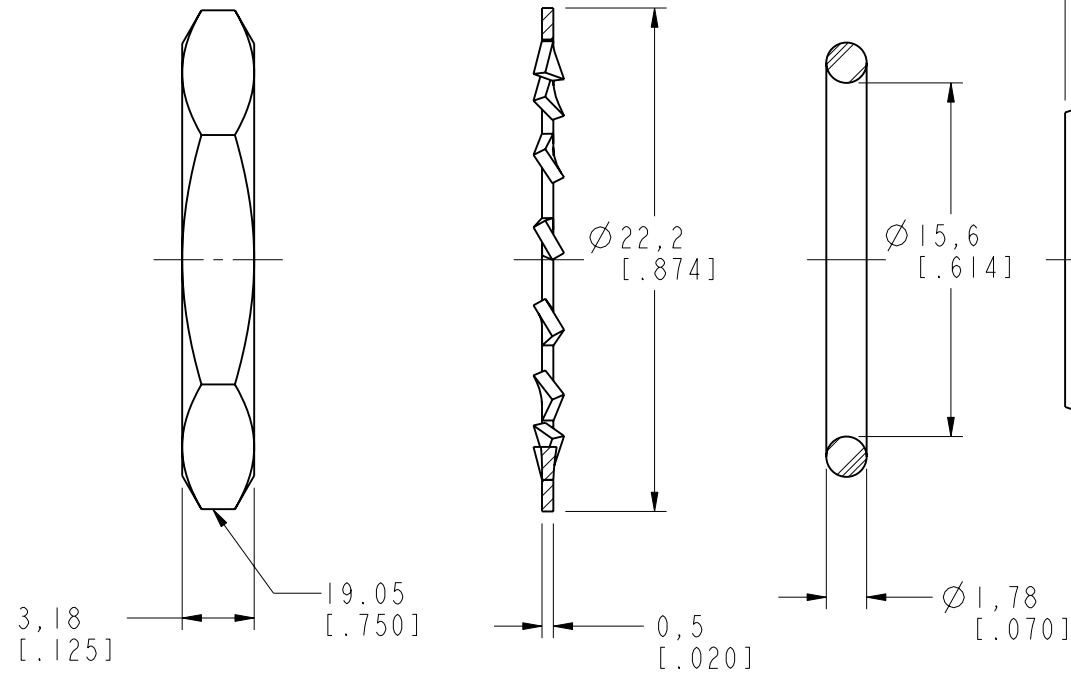


NOTES:

- MATERIAL AND FINISH:
 BODY & HEX NUT- BRASS, NICKEL PLATING
 CONTACT - PHOSPHOR BRONZE, GOLD PLATING
 LOCK WASHER - PHOSPHOR BRONZE, NICKEL PLATING
 INSULATOR - PTFE, NATURAL
 O-RING - SILICONE RUBBER
 FERRULE - COPPER, NICKEL PLATING
 HEAT SHRINK TUBING - POLYOLEFIN, BLACK
- WHEN CRIMPING CONTACT TO CABLE, CRIMP WITH AMPHENOL TOOL 999-227 AND DIE SET 227-1221-57, CAVITY 'B'. HEX CRIMP SIZE .100"
- CRIMP FERRULE OVER BRAID AND BODY WITH AMPHENOL TOOL 227-944 AND DIE SET 227-1221-57, CAVITY 'A'. HEX CRIMP SIZE .213"
- THIS CONNECTOR CAN BE USED ON CABLE:
 RG55/U, 55A/U, 55B/U, 142U, 142B/U&223/U CABLE
- INDICATES CABLE ENTRY DIMS.

6 MAX. PANEL THK. 6.35 [.250]

7. HST IS ONLY PROVIDED WHEN PROCURED FROM AMPHENOL RF SHENZHEN



CUSTOMER OUTLINE DRAWING
 ALL OTHER SHEETS ARE FOR INTERNAL USE ONLY

UNLESS OTHERWISE SPECIFIED, DIMENSIONS ARE IN METRIC AND TOLERANCES ARE: <0.5mm ±0.05mm 0.5 - 6mm ±0.1mm 6 - 30mm ±0.2mm 30 - 120mm ±0.3mm ANGLES ±1°	MATERIAL	DRAWN	DATE	TITLE QUICK CRIMP 'N' BULKHEAD JACK, USED ON RG55/U, 55A/U, 55B/U, 142U, 142B/U&223/U	Amphenol RF www.amphenolrf.com
	-	R. MAO	29-Nov-13		
NOTICE - These drawings, specifications, or other data (1) are, and remain the property of Amphenol corp. (2) must be returned upon request; and (3) are confidential and not to be disclosed to any person other than those to whom they are given by Amphenol Corp. the furnishing of these drawings, specifications, or other data by Amphenol Corp., or to any other person to anyone for any purpose is not to be regarded by implication or otherwise in any manner licensing, granting rights to permitting such holder or any other person to manufacture, use or sell any product, process or design, patented or otherwise, that may in any way be related to or disclosed by said drawings, specifications, or other data.	REFERENCE AND CONFIGURATION LEVEL: <input type="checkbox"/> <input type="checkbox"/> <input type="checkbox"/>	ENGINEER	DATE	SCALE: 3.0:1.0	SHEET 2 OF 2
	FINISH	S. HSIEH	29-Nov-13	DWG SIZE B	REV T
		APPROVED	DATE		DRAWING NO. 82-5373
				ITEM NO. 82-5373	PART NO. 82-5373