

**JBC R470029**

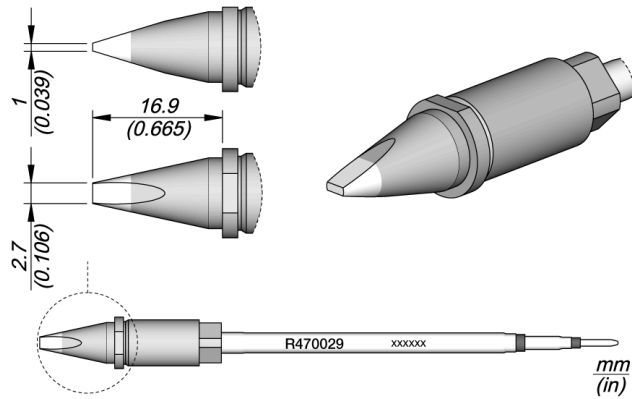
## Chisel Cartridge 2.7 x 1

This cartridge is designed for the use in **Automated Processes with high-power requirements.**

The new design **features a square cross-section** that perfectly centers the cartridge in the soldering iron and **ensures accurate vertical positioning.** In addition, the cartridge can be **placed/used in 4 different positions, which can be changed in steps of 90°.**

R470029 fits TR470 Heavy Duty Soldering Tool and TRA470 Automatic Heavy Duty Soldering Tool.

JBC also offers the possibility to manufacture your special tip geometry. Do not hesitate to ask us on [customtips@jbctools.com](mailto:customtips@jbctools.com).



### REFERENCE

**R470029**

### SPECIFICATIONS

Net weight 0,03 kg (0.06lb)

#### WEIGHT AND DIMENSIONS

27 gr (0.06 lb)

38 gr (0.08 lb)

185 x 66 x 25 mm

Copyright © 2024 JBC Soldering S.L. | [Legal Notice](#) | [Privacy Policy](#) | [Terms and Conditions](#) | [Cookie policy](#) | [Internal Communication](#) | [RSS Feed](#) | [JBC Store](#) | [Contact Us](#)

### CONNECTABLES



TRA470-B

Automatic Heavy Duty Soldering Tool for Robot



TR470-B

Heavy Duty Soldering Tool for Robot