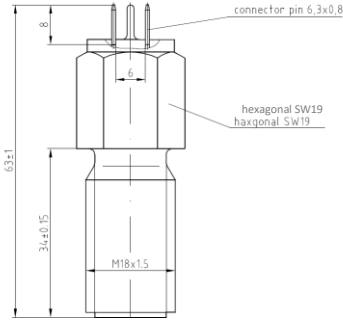
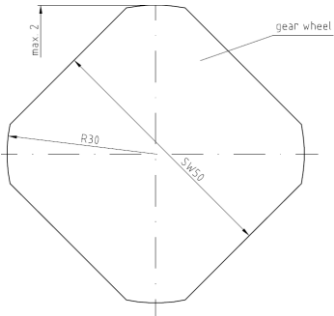


# Speed Sensor (Inductive)

94064 00002



Dimensions		Cam wheel			
					
<b>Resistance</b>	1050 Ω ± 10 %	<b>Inductivity</b>	1 H	<b>Sealing grade</b>	IP 54 acc. to DIN 40050 (with fitted female connector)
<b>Temperature range</b>	-25 °C to +110°C (130 °C / 1 h)	<b>Mounting hole</b>	M 18 X 1.5	<b>Shaft length</b>	34 ± 0.15 mm
<b>Connector</b>	Connector pin 6.3 x 0.8, Female connector on request	<b>Max. working distance</b>	2.0 mm		

Technical status acc. to specification