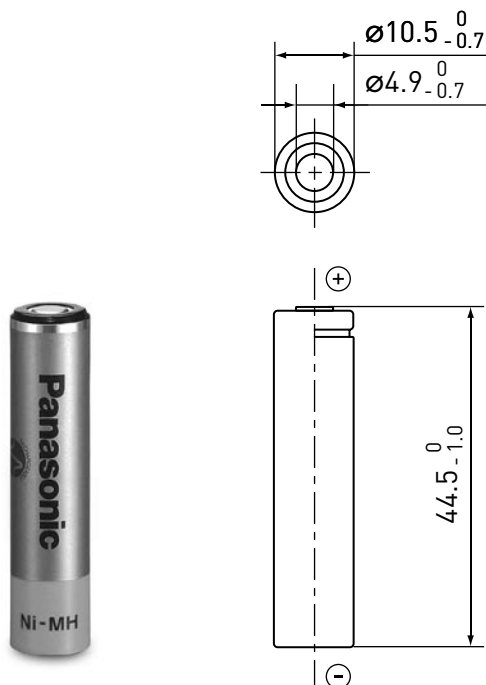


HHR-60AAA/FT CYLINDRICAL AAA SIZE (HR11/45) FOR BACK-UP USE

DIMENSIONS (MM)



SPECIFICATIONS

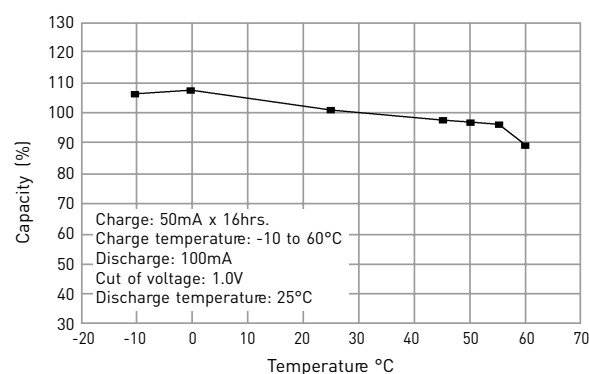
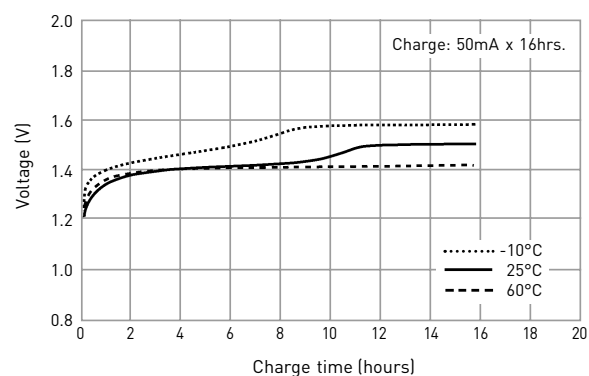
Name		HHR-60AAA/FT	
Diameter (mm)		10.5 +0/-0.7	
Height (mm)		44.5 +0/-1.0	
Approximate weight (g)		13	
Nominal voltage (V)		1.2	
Discharge capacity*1	Average*2 (mAh)	550	
	Rated/min. (mAh)	500	
Approx. internal impedance at 1,000Hz at charged state (mΩ)		35	
Charge	Standard (mA x hrs.)	50 x 16	
	Rapid*3 (mA x hrs.)	250 x 2.4	
	Low rate (mA x hrs.)		25 x 32
			17 x 48
Charge (°C)	Standard	-10 to +60	
	Rapid	-10 to +45	
	Low rate	-10 to +45	
Discharge (°C)		-10 to +60	
Ambient temperature	Storage (°C)	<1 year	-20 to +35
		<6 months	-20 to +45
	<1 month	-20 to +55	
	<1 week	-20 to +65	

*1 After charging at 0.1It for 16 hours, discharging at 0.2It.

*2 For reference only.

*3 Need specially designed control system. Please contact Panasonic for details.

TYPICAL CHARGE CHARACTERISTICS



TYPICAL DISCHARGE CHARACTERISTICS

