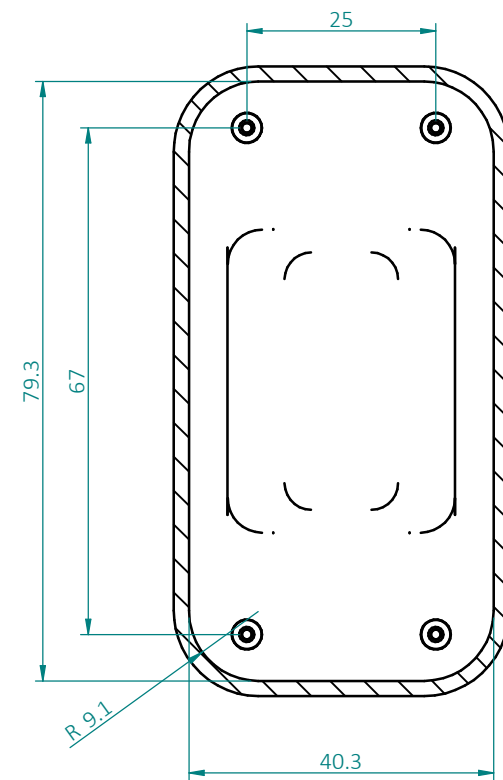
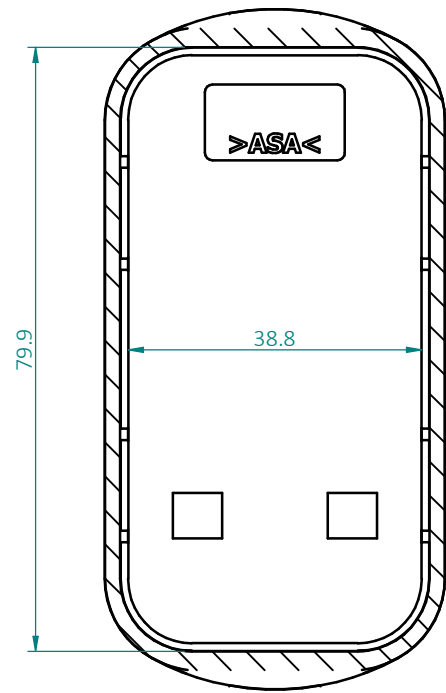
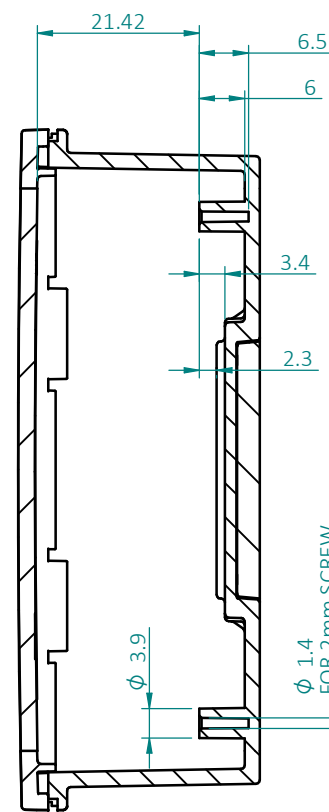
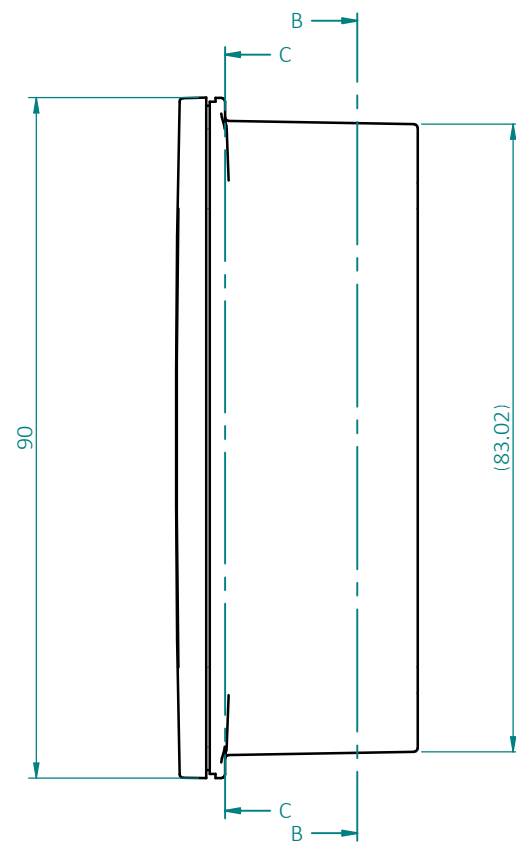
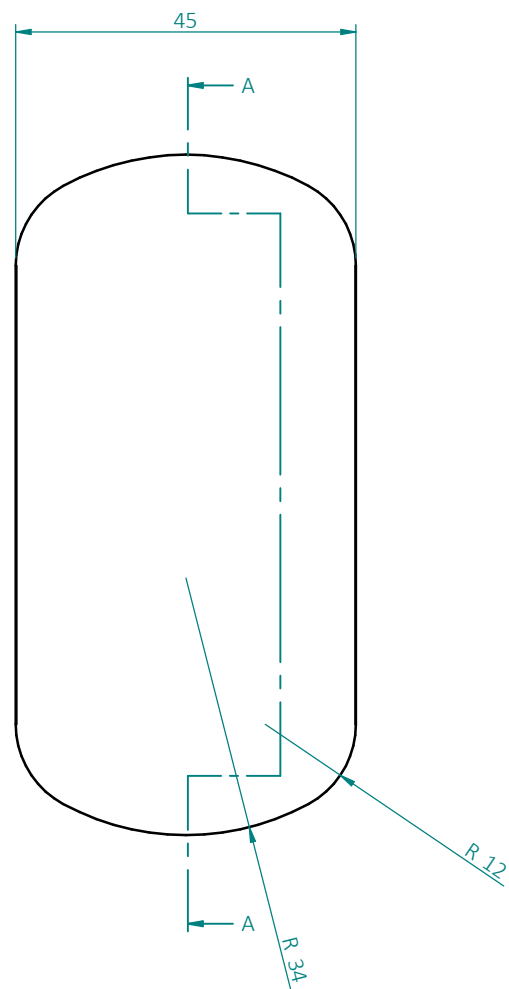


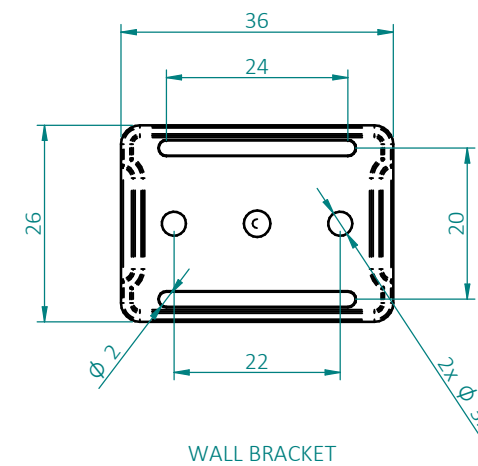
SECTION C-C  
COVER DETAIL



SECTION B-B  
BASE DETAIL



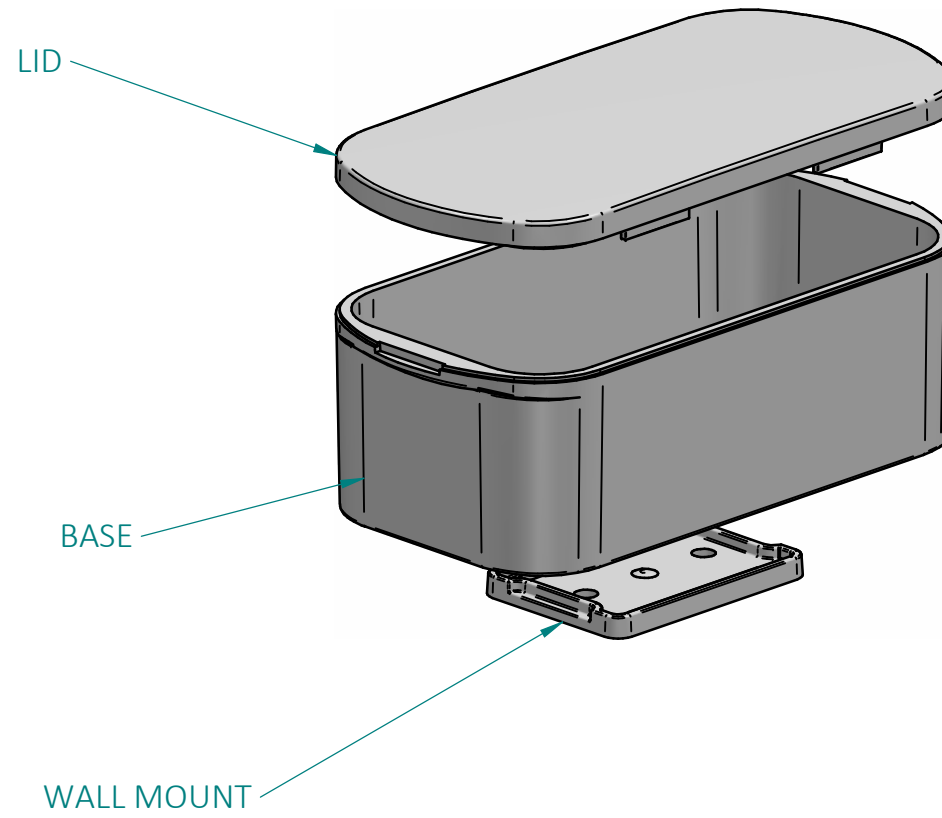
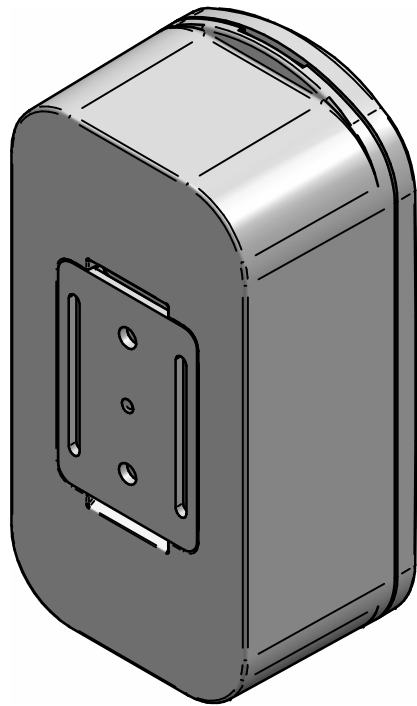
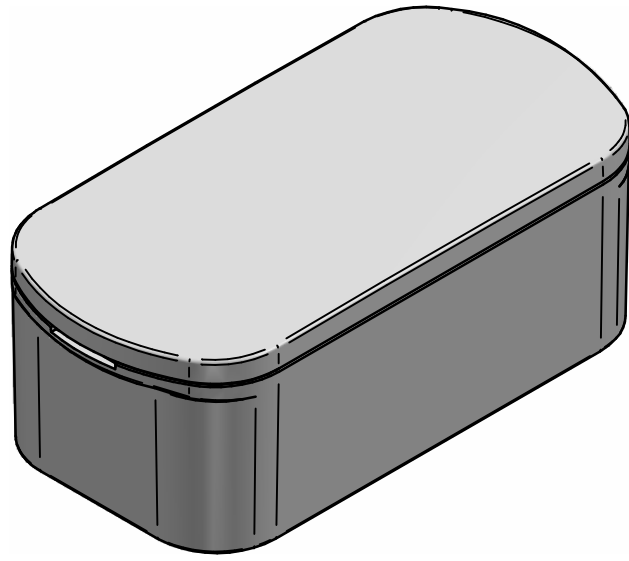
SECTION A-A



WALL BRACKET

REVISION	DATE	ECR	DESCRIPTION	IPAGAND NAME	S.HARDINGE CHECKED
A	09/12/22	-	FIRST DRAWN	-	-

	COLOUR: WHITE	GAUGE:	DO NOT SCALE DRAWING	SCALE: 1:2
	FINISH: GLOSS	TITLE:	DEBURR AND BREAK SHARP EDGES	
DRAWING UNITS: MILLIMETERS TOLERANCES: SEE CRITICAL DIMENSIONS	PROJECTION:	MATERIAL: ASA - UL 94 HB	DWG NO: CUE9940WH	SHEET 1 OF 2 A3



-	-	-	-	-	-	 <b>CAMDENBOSS</b> <small>CONNECT. ENCLOSE. INNOVATE.</small>	COLOUR: WHITE	GAUGE:	DO NOT SCALE DRAWING	SCALE: 1:1
-	-	-	-	-	-		FINISH: GLOSS	TITLE: WALL MOUNT SMALL IOT PLASTIC CASE SIZE 4	DEBURR AND BREAK SHARP EDGES	SHEET 2 OF 2
A	09/12/22	-	FIRST DRAWN	IPAGANO	S.HARDINGE		DRAWING UNITS: MILLIMETERS TOLERANCES: SEE CRITICAL DIMENSIONS	PROJECTION: 	MATERIAL: ASA - UL 94 HB	DWG NO: CUE9940WH
REVISION	DATE	ECR	DESCRIPTION	NAME	CHECKED					