



Features

- High power LEDs
- 5mm Standard directivity
- Water clear type
- Flashing type
- Superior weather-resistance

Application

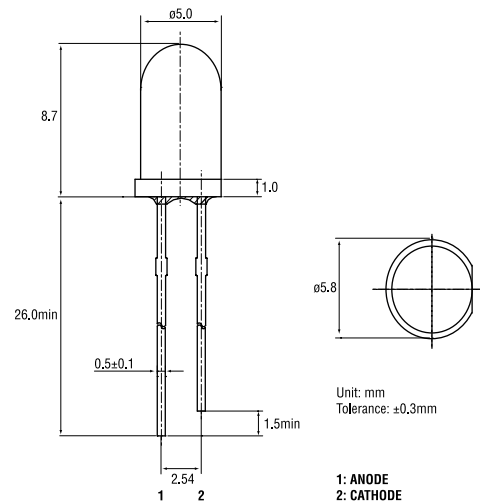
- Automotive dashboard lighting
- Traffic signal lamp

Absolute maximum ratings (Ta = 25°C)

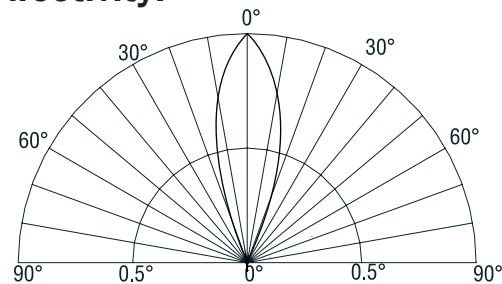
Item	Symbol	Value	Unit
Oscillator frequency	F_{led}	1.5	Hz
Operating temperature	T_{opr}	-30 to +80	°C
Storage temperature	T_{stg}	-40 to +100	°C
Lead soldering temperature	T_{sol}	260°C/3sec	-

* Pulse width max. 10ms Duty ratio max. 1/10

Outline dimensions:



Directivity:



Electrical - Optical characteristics (Ta = 25°C)

Item	Symbol	Condition	Min.	Typ.	Max.	Unit
Operating voltage	V_{dd}	-	4.5	5.0	6.0	V
Operating current	I_{op}	-	-	10	40	μA
Reverse current	I_{rc}	$V_r = 5V$	-	-	10	μA
Driving current	I_{ol}	-	-	25	-	mA
Domi. wavelength	X	$I_F = 20mA$	0.25	0.27	0.30	-
	Y	$I_F = 20mA$	0.26	0.28	0.31	-
Luminous intensity	IV	$I_F = 20mA$	2000	3000	-	mcd
50% Power angle	$2\theta_{1/2}$	$I_F = 20mA$	-	30	-	deg