

# 10mm White 30° Water Clear LED

Order code: **55-2879**

MPN: OS4WFLA131U

## Features:

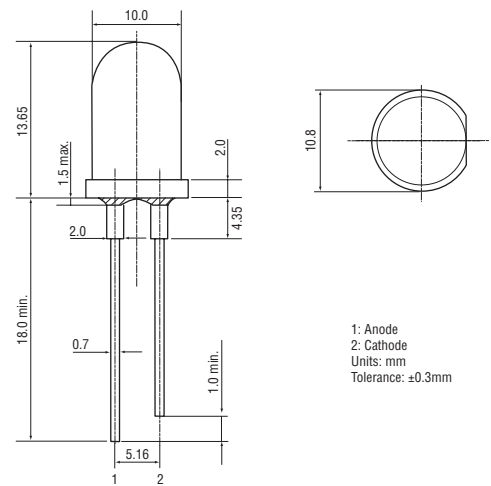
- High luminous LEDs
- 10mm round standard directivity
- Superior weather-resistance
- UV resistant epoxy
- Water clear type

## Applications

- Backlighting (illuminated advertising, general lighting etc.)
- Portable (flashlight, bicycle)
- Interior and exterior automotive lighting
- Other lighting



## Outline dimensions:



## Absolute maximum rating (Ta=25°C)

Item	Symbol	Value	Unit
DC Forward current	$I_F$	90	mA
Pulse forward current*	$I_{FP}$	150	mA
Reverse voltage	$V_R$	5	V
Power dissipation	$P_D$	324	mW
Operating temperature	$T_{opr}$	-30 to +85	°C
Storage temperature	$T_{stg}$	-40 to +100	°C
Lead soldering temperature	$T_{sol}$	260°C/5 sec	-

\* Pulse width max. 10ms. Duty ratio max. 1/10

## Electrical - Optical characteristics (Ta=25°C)

Item	Symbol	Condition	Min.	Typ.	Max.	Unit
DC Forward voltage	$V_F$	$I_F=60mA$	2.8	3.2	3.6	V
DC Reverse current	$I_R$	$V_R=5V$	-	-	10	μA
Luminous flux†	$\Phi_V$	$I_F=90mA$	28	32	-	lm
		$I_F=60mA$	19	22		
Colour temperature	CCT	$I_F=60mA$	-	6500	-	K
Chromaticity coordinates*	x	$I_F=60mA$	-	0.31	-	
	y	$I_F=60mA$	-	0.34	-	
50% Power angle	$2\theta_{1/2}$	$I_F=60mA$	-	30	-	deg

\* Tolerance of dominant wavelength is ±10%

† Tolerance of luminous intensity is ±15%

## Directivity:

