

## Implication of Type

Code of Series	GQ means metal crust type	Contact structure: 11 1NO1NC 22 2NO2NC 33 3NO3NC	Code name of derivative products; Z alternate type Y key switch The momentary type is without letter	Type: D dot R ring No letter means without lamp.	The specific rating of the lamp with illuminated button is included in the lamp ratings form	Lamp color: R red G green Y yellow O orange B blue W white
LAS1-A LAS1-B	GQ	- □□	□	□ / □ / □		

Note: ☉ Contact Structure: LAS1 - AGQ have 1NO1NC and 2NO2NC, LAS1 - BGQ have 1NO1NC, 2NO2NC and 3NO3NC.

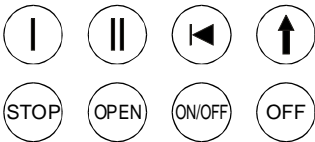
## Lamp Ratings

Lamp Type	LED		
Rated Voltage	AC/DC6V	AC/DC12V	AC/DC24V
	AC/DC110V		AC/DC220V
Colours	<span style="color:red">R</span>	<span style="color:green">G</span>	<span style="color:yellow">Y</span> <span style="color:orange">O</span> <span style="color:blue">B</span> <span style="color:white">W</span>
Life	About 40,000 hours		

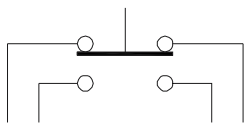
Note: There are protective resistor in the lamp, special voltage rate can be made to order.

## Engraving Options

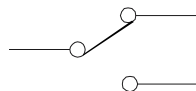
- ☉ Special type can be made to order.
- ☉ Examples



## Switching Operation



NO.2



NO.3

## Purchasing Notice

- ☉ Please write ONPOW code after check the Implication of Type and the detailed specification in the catalog..
- ☉ Please place an order over 1,000pcs if the products need to be made to order.
- ☉ All IP Degree listed in our forms can seal front of panel only.

## Soldering information

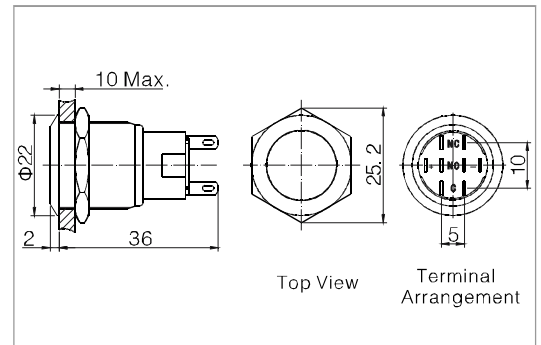
- ☉ Handiwork soldering: Soldering iron 30W or under at 230°C for 3 sec max.

# METAL PUSHBUTTONS

## PUSHBUTTONS



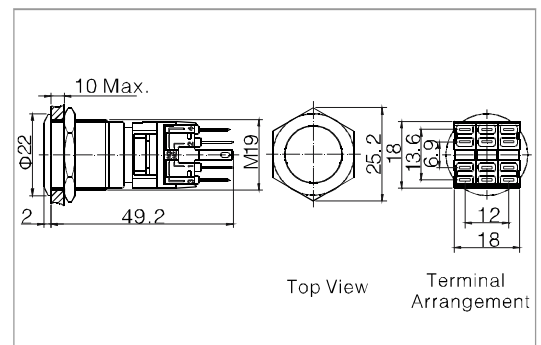
- ⊙  $\Phi$ 19mm diameter
- ⊙ 5A, 250VAC
- ⊙ 1NO1NC/2NO2NC
- ⊙ The Front Shape: Flat Round
- ⊙ The crust material: Stainless Steel
- ⊙ IP Degree: IP67



## PUSHBUTTONS



- ⊙  $\Phi$ 19mm diameter
- ⊙ Combined Structure
- ⊙ 3A, 250VAC
- ⊙ 1NO1NC/2NO2NC/3NO3NC
- ⊙ The Front Shape: Flat Round
- ⊙ The crust material: Stainless Steel
- ⊙ IP Degree: IP67



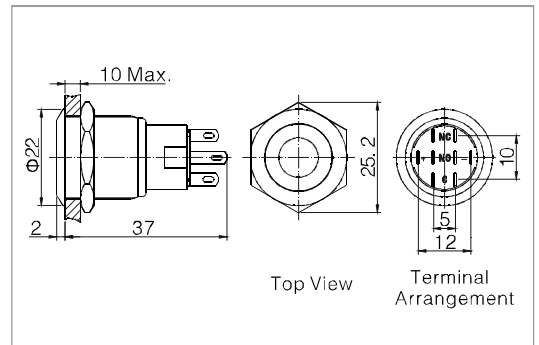
Specification		LAS1-AGQ	LAS1-BGQ
The Front Shape		Flat Round	Flat Round
Terminations		Soldering(Pin Terminal)/2.8mm tabs	Soldering(Pin Terminal)/2.8mm tabs
Switching		NO.3	NO.2
Max. Switch Rating		5A/250VAC	5A/250VAC
Contact Resistance		$\leq 50m\Omega$	$\leq 50m\Omega$
Insulation Resistance		$\geq 1000M\Omega$	$\geq 1000M\Omega$
Dielectric Strength		2000VAC	2000VAC
Operating Temp.		- 20°C ~ + 70°C	- 20°C ~ + 70°C
Mechanical life		1,000,000 cycles	1,000,000 cycles
Electrical life		50,000 cycles	50,000 cycles
Contact material		Silver Alloy	Silver Alloy
Panel Thickness		1 ~ 10mm	1 ~ 10mm
Torque		5 ~ 14Nm	5 ~ 14Nm
Operation Pressure		5.5N	5.5N
IP Degree		IP67	IP67
Material	Button	Stainless Steel	Stainless Steel
	Body	Stainless Steel	Stainless Steel
	Base	PBT	PA
RoHS		Made to order	Made to order

# METAL PUSHBUTTONS

## DOT ILLUMINATED PUSHBUTTON



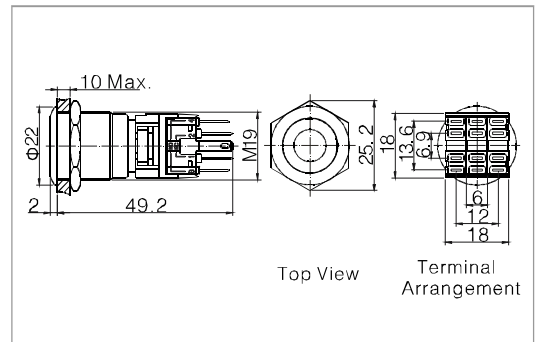
- ⊙  $\Phi$ 19mm diameter
- ⊙ 5A, 250VAC
- ⊙ 1NO1NC/2NO2NC
- ⊙ The Front Shape: Flat Round
- ⊙ The crust material: Stainless Steel
- ⊙ Dot Illuminated
- ⊙ IP Degree: IP67



## DOT ILLUMINATED PUSHBUTTON



- ⊙  $\Phi$ 19mm diameter
- ⊙ Combined Structure
- ⊙ 5A, 250VAC
- ⊙ 1NO1NC/2NO2NC/3NO3NC
- ⊙ The Front Shape: Flat Round
- ⊙ The crust material: Stainless Steel
- ⊙ Dot Illuminated
- ⊙ IP Degree: IP67



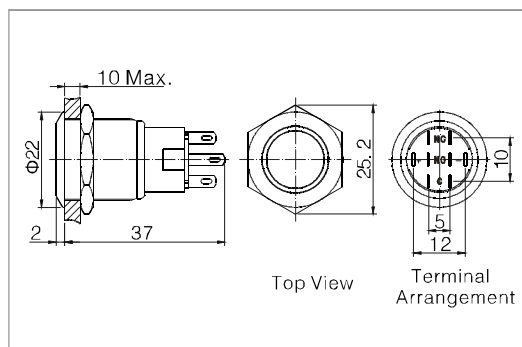
Specification		LAS1-AGQ-□□□D	LAS1-BGQ-□□□D
The Front Shape		Flat Round	Flat Round
Terminations		Soldering(Pin Terminal)/2.8mm tabs	Soldering(Pin Terminal)/2.8mm tabs
Switching		NO.3	NO.2
Max. Switch Rating		5A/250VAC	5A/250VAC
Contact Resistance		$\leq 50m\Omega$	$\leq 50m\Omega$
Insulation Resistance		$\geq 1000M\Omega$	$\geq 1000M\Omega$
Dielectric Strength		2000VAC	2000VAC
Operating Temp.		- 20°C ~ + 70°C	- 20°C ~ + 70°C
Mechanical life		1,000,000 cycles	1,000,000 cycles
Electrical life		50,000 cycles	50,000 cycles
Contact material		Silver Alloy	Silver Alloy
Panel Thickness		1 ~ 10mm	1 ~ 10mm
Torque		5 ~ 14Nm	5 ~ 14Nm
Operation Pressure		5.5N	5.5N
IP Degree		IP67	IP67
Material	Button	Stainless Steel	Stainless Steel
	Body	Stainless Steel	Stainless Steel
	Base	PBT	PA
RoHS		Made to order	Made to order
LED Spec.	Type	Dot Illuminated(LED)	Dot Illuminated(LED)
	Rated Voltage	6V / 12V / 24V / 110V / 220V	6V / 12V / 24V / 110V / 220V
	Color	R G Y O B W	R G Y O B W
	Life	40,000 hours	40,000 hours

# METAL PUSHBUTTONS

## RING ILLUMINATED PUSHBUTTON



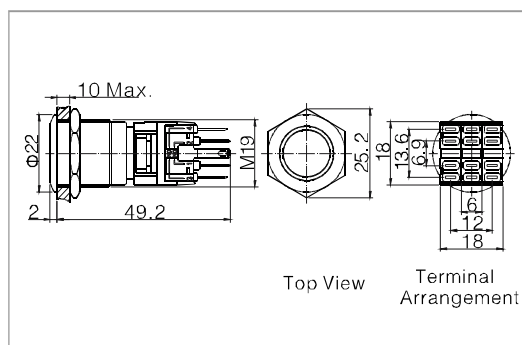
- ⊙  $\Phi$  19mm diameter
- ⊙ 5A, 250VAC
- ⊙ 1NO1NC/2NO2NC
- ⊙ The Front Shape: Flat Round
- ⊙ The crust material: Stainless Steel
- ⊙ Ring Illuminated
- ⊙ IP Degree: IP67



## RING ILLUMINATED PUSHBUTTON



- ⊙  $\Phi$  19mm diameter
- ⊙ Combined Structure
- ⊙ 5A, 250VAC
- ⊙ 1NO1NC/2NO2NC/3NO3NC
- ⊙ The Front Shape: Flat Round
- ⊙ The crust material: Stainless Steel
- ⊙ Ring Illuminated
- ⊙ IP Degree: IP67



Specification	LAS1-AGQ-□□ □R	LAS1-BGQ-□□ □R
The Front Shape	Flat Round	Flat Round
Terminations	Soldering(Pin Terminal)/2.8mm tabs	Soldering(Pin Terminal)/2.8mm tabs
Switching	NO.3	NO.2
Max. Switch Rating	5A/250VAC	5A/250VAC
Contact Resistance	$\leq 50m\Omega$	$\leq 50m\Omega$
Insulation Resistance	$\geq 1000M\Omega$	$\geq 1000M\Omega$
Dielectric Strength	2000VAC	2000VAC
Operating Temp.	- 20°C ~ + 70°C	- 20°C ~ + 70°C
Mechanical life	1,000,000 cycles	1,000,000 cycles
Electrical life	50,000 cycles	50,000 cycles
Contact material	Silver Alloy	Silver Alloy
Panel Thickness	1 ~ 10mm	1 ~ 10mm
Torque	5 ~ 14Nm	5 ~ 14Nm
Operation Pressure	5.5N	5.5N
IP Degree	IP67	IP67
Material	Button	Stainless Steel
	Body	Stainless Steel
	Base	PBT
	RoHS	Made to order
LED Spec.	Type	Ring Illuminated(LED)
	Rated Voltage	6V / 12V / 24V / 110V / 220V
	Color	R G Y O B W
	Life	40,000 hours