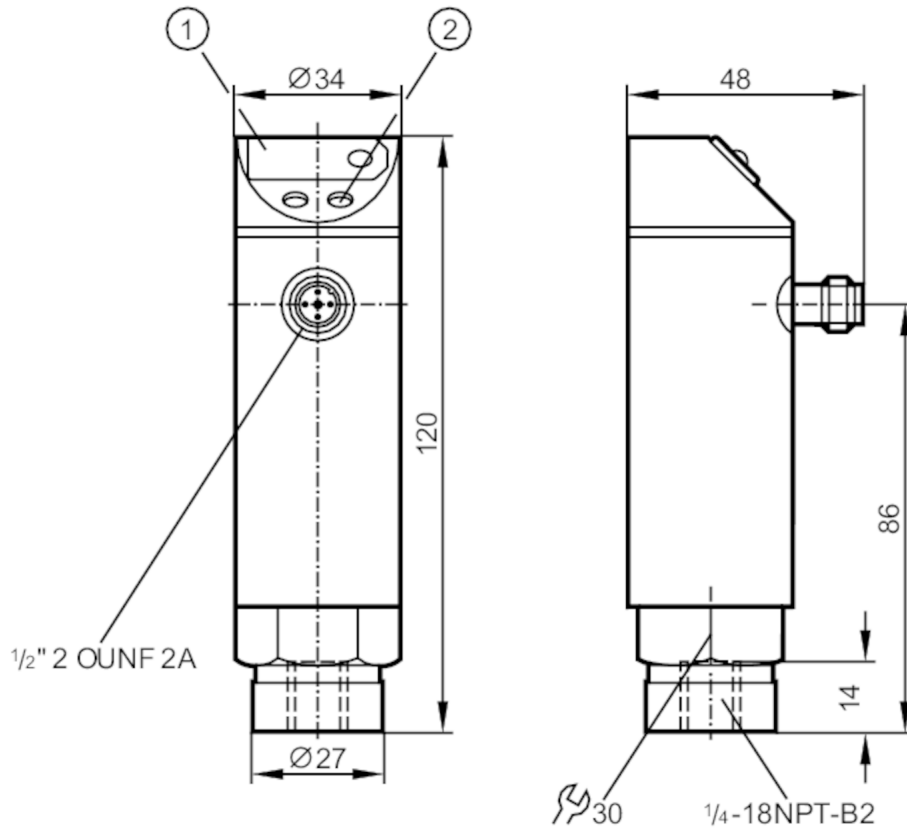


PN4223



Pressure sensor with display

PN-025-RBN14-HFBOW/LS/ IV



- 1 7-segment LED display
- 2 programming button



Product characteristics

Output signal	switching signal		
Measuring range	0...25 bar	0...363 psi	0...2.5 MPa
Process connection	threaded connection 1/4 NPT internal thread		

Application

Application	for industrial applications		
Media	liquids and gases		
Medium temperature [°C]	-25...80		
Pressure rating	100 bar	1450 psi	10 MPa
Min. bursting pressure	350 bar	5075 psi	35 MPa
Type of pressure	relative pressure		

PN4223



Pressure sensor with display

PN-025-RBN14-HFBOW/LSI /V

Electrical data			
Operating voltage tolerance	[%]	5...10	
Operating voltage	[V]	85...265 AC	
Nominal voltage AC	[V]	< 250	
Current consumption	[mA]	< 10	
Min. insulation resistance	[MΩ]	100; (500 V DC)	
Protection class		II	
Reverse polarity protection		no	
Power-on delay time	[s]	0.2	
Integrated watchdog		yes	
Inputs / outputs			
Number of inputs and outputs		Number of digital outputs: 1	
Outputs			
Total number of outputs		1	
Output signal		switching signal	
Electrical design		Triac	
Number of digital outputs		1	
Output function		normally open / normally closed; (parameterisable)	
Max. voltage drop switching output AC	[V]	2	
Permanent current rating of switching output AC	[mA]	250; ((...70 °C) 1000 (...60 °C) 1500 (...45 °C) 2500 (...20 °C))	
Switching frequency AC	[Hz]	< 160	
Short-circuit proof		no	
Overload protection		no	
Measuring/setting range			
Measuring range		0...25 bar	0...363 psi 0...2.5 MPa
Set point SP		0.2...25 bar	4...363 psi 0.02...2.5 MPa
Reset point rP		0.1...24.9 bar	2...362 psi 0.01...2.49 MPa
In steps of		0.1 bar	1 psi 0.01 MPa
Accuracy / deviations			
Switch point accuracy	[% of the span]	< ± 1,0	
Repeatability	[% of the span]	< ± 0,1; (with temperature fluctuations < 10 K)	
Linearity deviation	[% of the span]	< ± 0,5	
Hysteresis deviation	[% of the span]	< ± 0,1	
Long-term stability	[% of the span]	< ± 0,1; (per year)	
Temperature coefficient zero point	[% of the span / 10 K]	< ± 0,2; (-25...80 °C)	
Temperature coefficient span	[% of the span / 10 K]	< ± 0,3; (-25...80 °C)	

PN4223



Pressure sensor with display

PN-025-RBN14-HFBOW/LSI /V

Response times		
Delay time programmable dS, dr	[s]	0, 0,2,...10, 11,...50
Damping for the switching output dAP	[s]	0...4
Software / programming		
Adjustment of the switch point		programming button
Parameter setting options		hysteresis / window; normally open / normally closed; switch-on/switch-off delay; Damping; adaptation of displayed values; display can be rotated and switched off; Display unit
Operating conditions		
Ambient temperature	[°C]	-25...80
Storage temperature	[°C]	-40...100
Protection		IP 65
Tests / approvals		
EMC	EN 61000-4-2 ESD	4 kV CD / 8 kV AD
	EN 61000-4-3 HF radiated	10 V/m
	EN 61000-4-4 Burst	2 kV
	EN 61000-4-6 HF conducted	10 V
Shock resistance	DIN IEC 68-2-27	50 g (11 ms)
Vibration resistance	DIN IEC 68-2-6	20 g (10...2000 Hz)
MTTF	[years]	224.58
Pressure Equipment Directive		Sound engineering practice; can be used for group 2 fluids; group 1 fluids on request
Mechanical data		
Weight	[g]	390
Materials		stainless steel (1.4301 / 304); PC; PBT; PA; FKM
Materials (wetted parts)		stainless steel (1.4305 / 303); ceramics; FKM
Min. pressure cycles		100 million
Process connection		threaded connection 1/4 NPT internal thread
Restrictor element integrated		no (can be retrofitted)
Displays / operating elements		
Display	switching status	LED, red
	function display	7-segment LED display
	measured values	7-segment LED display
Electrical connection		
Required protection		miniature fuse to IEC60127-2 sheet 1; ≤ 5 A; fast acting
Remarks		
Remarks		n.c. = not used
Pack quantity		1 pcs.
Electrical connection		
Connector: 1 x 1/2"		

PN4223

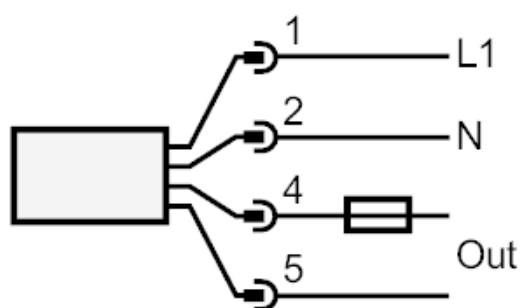


Pressure sensor with display

PN-025-RBN14-HFBOW/LS/ IV



Connection



Note miniature fuse to IEC60127-2 sheet 1 \leq 5 A fast acting