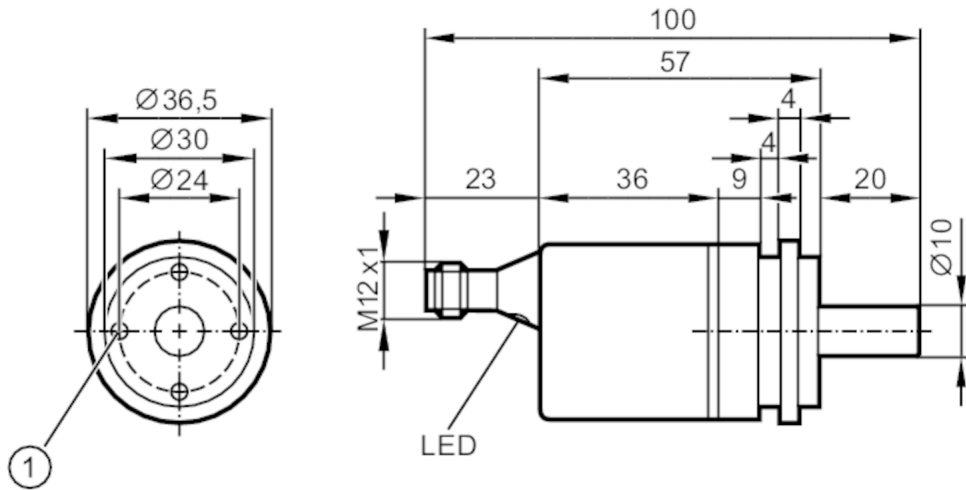


RM9000



Absolute multiturn encoder with solid shaft

RMS0024-C24/US



1 M4 Depth 6 mm



Product characteristics

Resolution	4096 steps; 4096 revolutions; 24 bit
Communication interface	CAN
Shaft design	solid shaft
Shaft diameter [mm]	10

Application

Function principle	absolute
Revolution type	multiturn

Electrical data

Operating voltage [V]	9...30 DC; ("supply class 2" to cULus)
Current consumption [mA]	< 100; ((10 V DC) ; ≤ 50 (24 V DC))
Protection class	III
Reverse polarity protection	yes

Outputs

Short-circuit protection	yes
Code	binary

Measuring/setting range

Resolution	4096 steps; 4096 revolutions; 24 bit
------------	--------------------------------------

Accuracy / deviations

Accuracy [°]	0.08
--------------	------

Software / programming

Parameter setting options	CAN parameter; scaling; preset; Baud rate; direction of rotation; Node ID
---------------------------	---

Interfaces

Communication interface	CAN
-------------------------	-----

RM9000



Absolute multiturn encoder with solid shaft

RMS0024-C24/US

CAN		
Protocol	CANopen	
Factory settings	Baud rate: 125 k node ID: 32	
Version	DSP - 406 V3.1; DS 301 V4.02; DS 306 V2.0	
Operating conditions		
Ambient temperature [°C]	-40...85	
Protection	IP 68; IP 69K	
Tests / approvals		
Shock resistance	200 g (11 ms)	
Vibration resistance	30 g (10...1000 Hz)	
MTTF [years]	240	
Mechanical data		
Weight [g]	234	
Dimensions [mm]	Ø 36.5 / L = 100	
Materials	flange: aluminium; housing cap: steel scratch-resistant cathodic dip coating	
Max. revolution, mechanical [U/min]	6000	
Max. starting torque [Nm]	5	
Reference temperature torque [°C]	20	
Shaft design	solid shaft	
Shaft diameter [mm]	10	
Shaft material	steel (1.4104)	
Max. shaft load axial (at the shaft end) [N]	180	
Max. shaft load radial (at the shaft end) [N]	180	
Fixing flange	synchro-flange	
Displays / operating elements		
Display	Preoperational Mode	LED, green
	Operational Mode	LED, green flashing
	error message	LED, red flashing
Electrical connection		
1	CAN_GND	
2	VBBc	
3	GND (PE)	
4	CAN_High	
5	CAN_Low	
Connector: 1 x M12, axial		

RM9000

Absolute multiturn encoder with solid shaft

RMS0024-C24/US

