

Part no.: 50035867
CB-D9-10000-5GF/GM
Interconnection cable

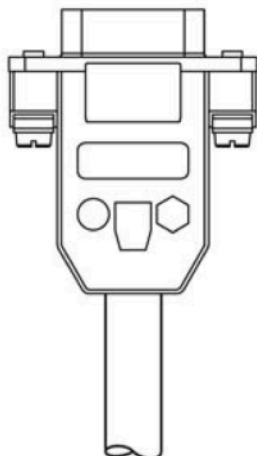
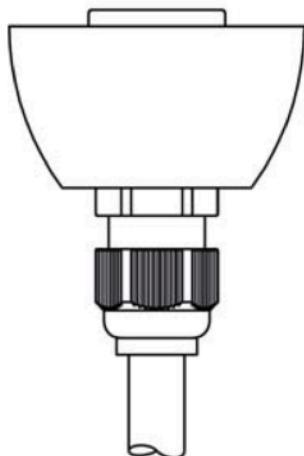


Figure can vary

Contents

- Technical data
- Electrical connection

Technical data

Connection	
Connection 1	
Type of connection	Sub-D
Type	Female
No. of pins	9 -pin
Design	Axial
Connection 2	
Type of connection	Sub-D
Type	Male
No. of pins	9 -pin
Design	Axial
Cable properties	
Number of conductors	5 Piece(s)
Shielded	Yes
Cable design	Interconnection cable
Cable length	10,000 mm

Classification	
Customs tariff number	85444290
eCl@ss 8.0	27279218
eCl@ss 9.0	27060311
ETIM 5.0	EC001855
ETIM 6.0	EC001855

Electrical connection

Connection 1	
Type of connection	Sub-D
Type	Female
No. of pins	9 -pin
Design	Axial

Connection 2	
Type of connection	Sub-D
Type	Male
No. of pins	9 -pin
Design	Axial