

A range of panel mounting audio and video connectors incorporating many innovative features, compatible with all leading manufacturers' cable plugs.

-a simple press down, squeeze clip release mechanism makes it particularly easy to use.
 -generous solder buckets enable easier cable assembly as well as catering for larger conductor sizes.

-a range of coloured plastic coding buttons is also available, offering a quick and easy system of channel Identification.

-available in satin nickel or matt black finish, with either silver or gold plated contacts.

(Note: these connectors are not suitable for mains applications.)

Mechanical Properties

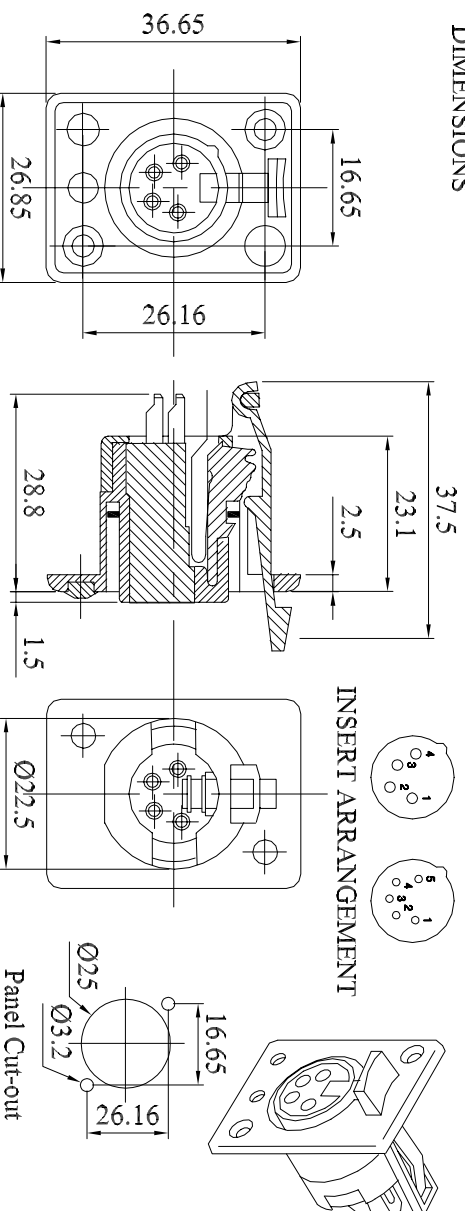
Housing Zinc high pressure diecasting
 Contact base satin nickel or black chrome
 Contacts Valox DR48
 Collar Brass, 3 microns silver anti-tarnish
 Latch finish or 0.5 microns gold
 Chuck Polypropylene V1R 222 black
 Screw collar Zinc high pressure diecasting
 Screen Acetal (UL 94 HB)

Screen Zinc high pressure diecasting
 Interchangeable satin nickel or black chrome
 Connector ident Spring Steel, 3 microns silver
 Ident options anti-tarnish
 Buttons

Operating Temp Acetal (UL 94 HB)
 Insertion force Black, Brown, Red, Orange, Yellow,
 Withdrawal force Green, Blue, Violet, Grey, White
 Min No. insertions -30°C to +80°C

Electrical Properties 20N
 Number of contacts 10N
 Rated current per contact 5000
 Maximum wire size (solid) 4 or 5
 Cap. Between contacts 10 or 7.5 Amps
 Rated voltage 15 or 16 AWG
 Test voltage 3.0, 2.5 mm²
 Contact resistance 7 or 7 pF
 Insulation resistance 250 Volts ac
 1500 Volts ac
 3m Ω
 1G Ω

DIMENSIONS



INSERT ARRANGEMENT

Deltron Part No	Silver Contacts		Gold Contacts	
	Nickel	Black	Nickel	Black
4-Way	702-0400	710-0400	706-0400	714-0400
5-Way	702-0500	710-0500	706-0500	714-0500

CONVERTED FROM PS0882 ISS1 (22.08.97) IN JAN 2003

Drgn No 702-710-706-714 TITLE PROFESSIONAL QUALITY - PANEL SOCKET

ALL DIMENSIONS IN MM
 ANGLES IN DECIMAL DEGREES

DELTRON Components

1

GENERAL SPECIFICATION
 FOR 702-710-706-714

CUSTOMER

Aprvd Date 27/01/03

Aprvd By MC

FILTER REF

Drawn by BFS

Scale: NTS

Sheet 1 / 1