

Seating Elements · with plastic bearing surface, orienting

22600.0010



Product Description

Can be used as screw-in foot or thrust pad. The plastic coating is gentle and protects high-quality surfaces. In addition, the oscillating seating is suitable for non-parallel surfaces.

Material

Ball element

- Stainless steel 1.4305

Nut

- Stainless steel A2

Pad

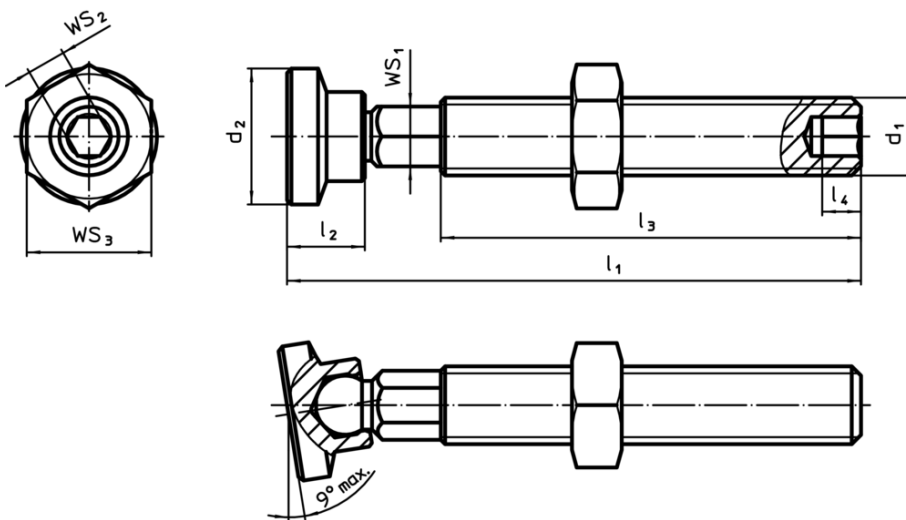
- Plastic (PEEK), blue

More information

Notes

Special types on request.

Drawing



Order information

Dimensions						WS ₁	WS ₂	WS ₃	Temperature		Weight	Art. No.
d ₁	l ₁ ±1	d ₂	l ₂	l ₃	l ₄				min.	max.	[g]	
[mm]						[mm]	[mm]	[mm]	[°C]			
M10	73.3	12.5	8.7	56.9	5	8	5	17	-60	250	37	22600.0010

Compliance

RoHS compliant

Compliant according to Directive 2011/65/EU and Directive 2015/863

Does not contain SVHC substances

No SVHC substances with more than 0.1% w/w contained - SVHC list [REACH] as of 10.06.2022

Does not contain Proposition 65 substances

No Proposition 65 substances included

<https://www.P65Warnings.ca.gov/>

Free from Conflict Minerals

This product does not contain any substances designated as "conflict minerals" such as tantalum, tin, gold or tungsten from the Democratic Republic of Congo or adjacent countries.