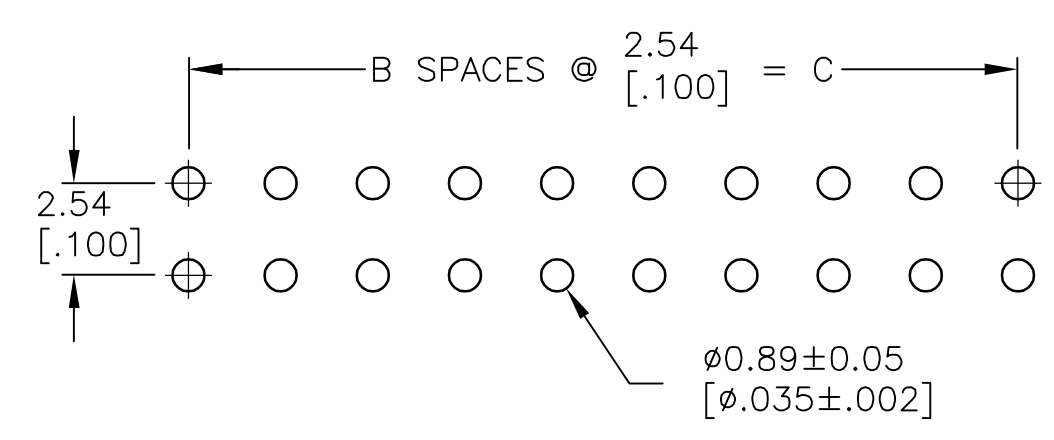
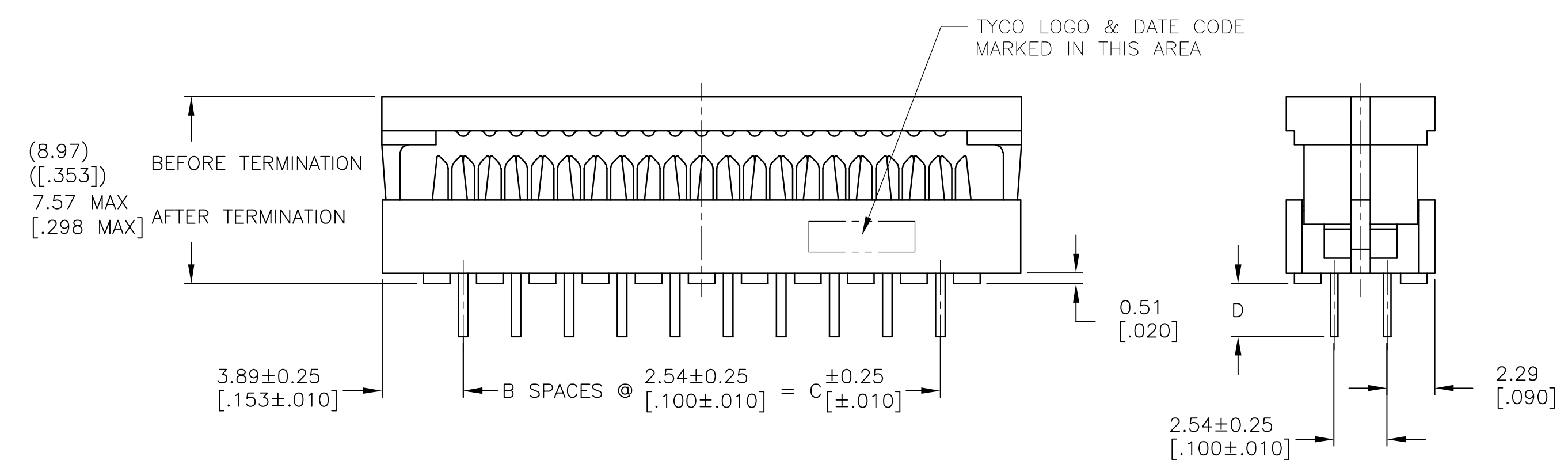
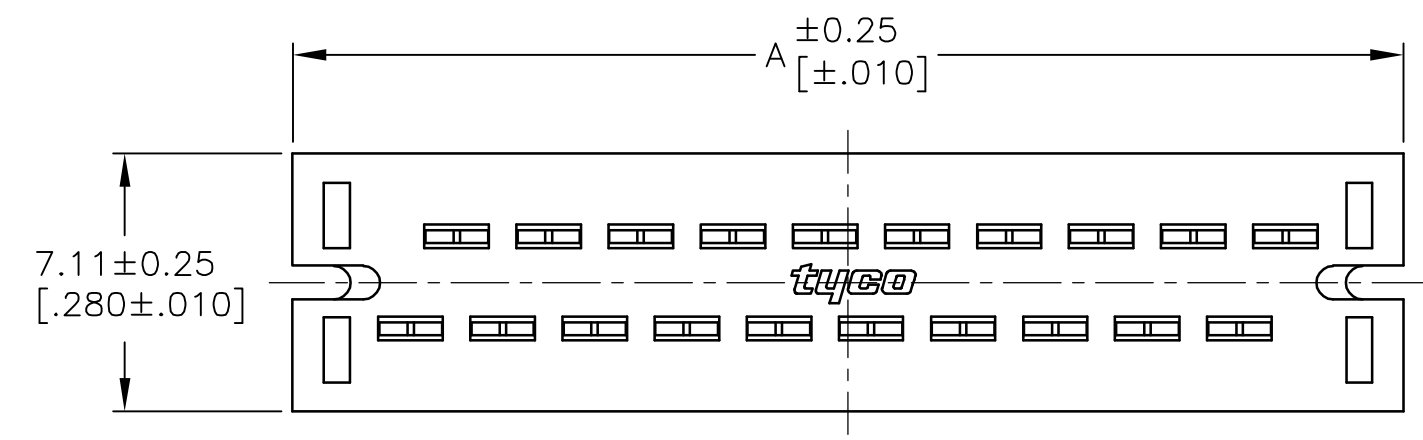


ELECTRICAL PROPERTIES	
CURRENT RATING	1 AMP
INSULATION RESISTANCE	>5 x 10 ⁹ OHMS @ 500 VDC
DWV	>1000 VRMS AT SEA LEVEL
ENVIRONMENTAL PROPERTIES	
TEMPERATURE RATING	-55°C TO 125°C

LOC	DIST	REVISIONS			
P	LR	DESCRIPTION	DATE	DWN	APVD
B		REVISED PER EC 0513-0251-05	10FEB06	JG	CR

- 20 POSITION ASSEMBLY SHOWN.
- HOUSING AND COVER: GLASS REINFORCED POLYESTER, UL94V-0 RATED, COLOR BLUE.
CONTACTS: BERYLLIUM COPPER.
- CONTACTS: 0.00254[.000100] MIN TIN OVER 0.00127[.000050] MIN NICKEL.



	3.96	5.08	2	12.85	6	622-0663LF	1-1658525-7
	[.156]	[.200]		[.506]			
	2.54	78.74	31	86.51	64	622-6453LF	1-1658525-6
	[.100]	[3.100]		[3.406]			
	2.54	73.66	29	81.43	60	622-6053LF	1-1658525-5
	[.100]	[2.900]		[3.206]			
OBSOLETE	2.54	53.34	21	61.11	44	622-4453LF	1-1658525-4
	[.100]	[2.100]		[2.406]			
	2.54	48.26	19	56.03	40	622-4053LF	1-1658525-3
	[.100]	[1.900]		[2.206]			
	2.54	43.18	17	50.95	36	622-3653LF	1-1658525-2
	[.100]	[1.700]		[2.006]			
OBSOLETE	2.54	35.56	14	43.33	30	622-3053LF	1-1658525-1
	[.100]	[1.400]		[1.706]			
	2.54	27.94	11	35.71	24	622-2453LF	1-1658525-0
	[.100]	[1.100]		[1.406]			
	2.54	22.86	9	30.63	20	622-2053LF	1658525-9
	[.100]	[.900]		[1.206]			
	2.54	17.78	7	25.55	16	622-1653LF	1658525-8
	[.100]	[.700]		[1.006]			
	2.54	15.24	6	23.01	14	622-1453LF	1658525-7
	[.100]	[.600]		[.906]			
	2.54	10.16	4	17.93	10	622-1053LF	1658525-6
	[.100]	[.400]		[.706]			
	2.54	7.62	3	15.39	8	622-0853LF	1658525-5
	[.100]	[.300]		[.606]			
	2.54	5.08	2	12.85	6	622-0653LF	1658525-4
	[.100]	[.200]		[.506]			
	2.54	73.66	24	68.73	50	622-5053LF	1658525-3
	[.100]	[2.900]		[2.706]			
	2.54	40.64	16	48.41	34	622-3453LF	1658525-2
	[.100]	[1.600]		[1.906]			
	2.54	30.48	12	38.25	26	622-2653LF	1658525-1
	[.100]	[1.200]		[1.506]			
D	C	B	A	NUMBER OF POSITIONS	T&B PART NO (REF)	TYCO PART NUMBER	

THIS DRAWING IS A CONTROLLED DOCUMENT.

DW: J. GERACE
 DR: C. ROHDE
 APVD: M. WALMSLEY

TYCO Electronics Corporation
 Harrisburg, PA 17105-3608

CONNECTOR, SLIMLINE PCB (STANDARD), LEAD FREE

SIZE: A1
 CASE CODE: 00779
 DRAWING NO: 1658525

SCALE: 5:1
 SHEET: 1 OF 1
 REV: B