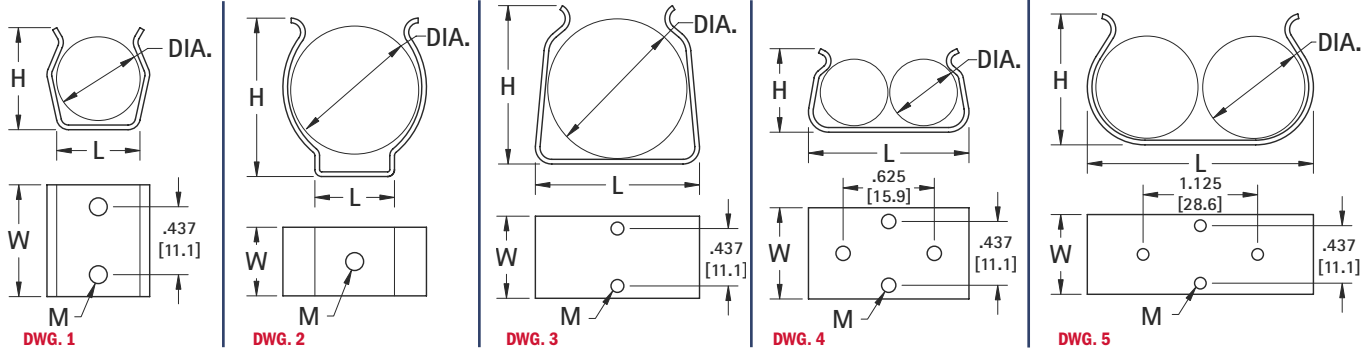
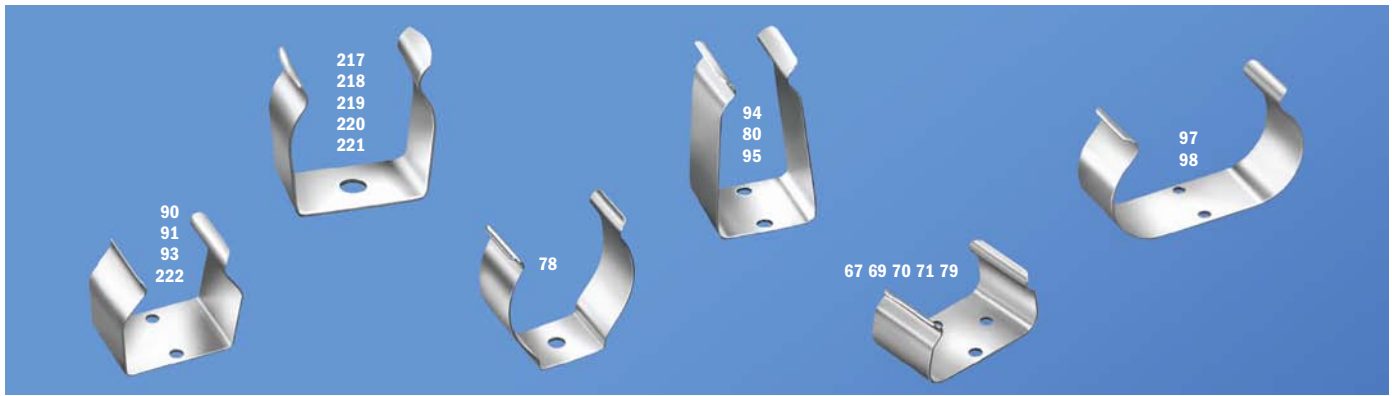


ALUMINUM & STEEL CLIPS

Precision made spring clips are available in a wide range of sizes. These clips will hold round, square and rectangular batteries or components with similar dimensions. Clips are manufactured from Aluminum or Spring Steel.



MATERIAL: Steel Clips: Spring Steel, Nickel Plate Aluminum Clips: 2024-T3

CAT. NO.	DWG. NO.	REF: CELL SIZE/BATTERY DIA. (SQ.)	H	L	W	M	MATERIAL
"AAA" CELL							
90	1	.375 to .468 (9.5 to 11.9)	.453 (11.5)	.312 (7.9)	.625 (15.9)	.098 (2.5)	.020 (.51) Alum.
"AA", "CR2" CELL							
91	1	.531 to .656 (13.5 to 16.7)	.562 (14.3)	.406 (10.3)	.625 (15.9)	.098 (2.5)	.020 (.51) Alum.
69	4		.562 (14.3)	1.125 (28.6)	.625 (15.9)	.098 (2.5)	.015 (.39) Steel
"C" CELL							
222	1	.875 to 1.125 (22.2 to 28.6)	.921 (23.4)	.937 (23.8)	.625 (15.9)	.098 (2.5)	.020 (.51) Steel
93	1		.921 (23.4)	.937 (23.8)	.625 (15.9)	.098 (2.5)	.020 (.51) Alum.
97*	5		1.125 (28.6)	2.062 (52.4)	.625 (15.9)	.098 (2.5)	.020 (.51) Alum.
"D" CELL							
94	3	1.187 to 1.375 (30.1 to 34.9)	1.218 (30.9)	1.250 (31.8)	.625 (15.9)	.098 (2.5)	.032 (.81) Alum.
78	2		1.218 (30.9)	.562 (14.3)	.500 (12.7)	.136 (3.5)	.020 (.51) Steel
98	5		1.437 (36.5)	2.656 (67.5)	1.000 (25.4)	.098 (2.5)	.032 (.81) Alum.
"A", "2/3A" CELL							
70	4	.656 to .690 (16.7 to 17.0)	.740 (18.8)	1.343 (34.1)	.625 (15.9)	.098 (2.5)	.025 (.64) Alum.
"9" VOLT CELL							
71	3	.593 (15.1) × 1.031 (26.2)	.687 (17.4)	1.031 (26.2)	.625 (15.9)	.098 (2.5)	.015 (.39) Steel
79	4	.650 (16.5) × 1.043 (26.5)	.765 (19.4)	1.050 (26.7)	.625 (15.9)	.098 (2.5)	.015 (.39) Steel
66	3	.689 (17.5) × 1.043 (26.5)	.825 (21.0)	1.069 (27.2)	.625 (15.9)	.098 (2.5)	.015 (.39) Steel
80	3	.650 (16.5) × 1.043 (26.5)	1.187 (30.1)	.675 (17.1)	.625 (15.9)	.098 (2.5)	.015 (.39) Steel
95	3	.650 (16.5) × 1.043 (26.5)	1.125 (28.6)	.656 (16.7)	.625 (15.9)	.098 (2.5)	.020 (.51) Alum.
"NiCd" CELL							
217	2	1.375 to 1.500 (34.9 to 38.1)	1.430 (36.3)	1.218 (30.9)	.812 (20.6)	.157 (4.0)	.025 (.64) Steel
218	2	1.437 to 1.687 (36.5 to 42.8)	1.531 (38.9)	1.375 (34.9)	.812 (20.6)	.157 (4.0)	.025 (.64) Steel
219	2	2.000 to 2.500 (50.8 to 63.5)	2.156 (54.8)	1.687 (42.8)	.812 (20.6)	.157 (4.0)	.025 (.64) Steel
"SUB-C" CELL							
221	2	.859 to .890 (21.8 to 22.6)	.906 (23.0)	.828 (21)	.468 (11.9)	.157 (4.0)	.020 (.51) Steel

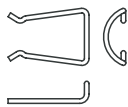
*ONLY TWO MOUNTING HOLES

BATTERY RETAINER CLIPS

- Prevents battery from loosening in battery holder
- Retainer clip slips on the ears of the battery holder clip



"AA" - "CR2"

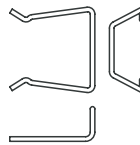


Used with Keystone Battery Clips
Cat. No. 91, 92, 95, 99, 100 and 2915.

MATERIAL: Stainless Steel

CAT. NO. 61

"C"

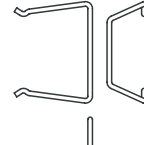


Used with Keystone Battery Clips
Cat. No. 86, 87, 93 and 222.

MATERIAL: Spring Steel, Nickel Plate

CAT. NO. 62

"D"



Used with Keystone Battery Clips Cat. No. 88, 89 and 94.

MATERIAL: Spring Steel, Nickel Plate

CAT. NO. 63