

Product description	Contacts: 4, male panel mount connector, dip-solder
Area	Snap-in IP67, subminiature Series 620 MED
Order number	99 9211 490 04

Illustration	Scale drawing	Contact arrangement															
		<table border="1" style="margin-left: 20px;"> <thead> <tr> <th></th> <th>X</th> <th>Y</th> </tr> </thead> <tbody> <tr> <td>1</td> <td>1,55</td> <td>-1,55</td> </tr> <tr> <td>2</td> <td>1,55</td> <td>1,55</td> </tr> <tr> <td>3</td> <td>-1,55</td> <td>1,55</td> </tr> <tr> <td>4</td> <td>-1,55</td> <td>-1,55</td> </tr> </tbody> </table>		X	Y	1	1,55	-1,55	2	1,55	1,55	3	-1,55	1,55	4	-1,55	-1,55
	X	Y															
1	1,55	-1,55															
2	1,55	1,55															
3	-1,55	1,55															
4	-1,55	-1,55															

You can find the assembly instructions on the next page.

Technical data

General values

Connector design	male panel mount connector
Connector locking system	snap
Termination	dip-solder
Upper limit temperature	85 °C
Lower limit temperature	-25 °C

Electrical values

Rated current (40 °C)	2,5 A
Rated voltage	125 V
Rated impulse voltage	1500 V
Pollution degree	2
Overvoltage category	II
Insulating material group	II
Volume resistivity	≤ 3 mΩ
Insulation resistance	≥ 10 ¹⁰ Ω
EMC compliance	Shielding is not possible
Degree of protection	IP67

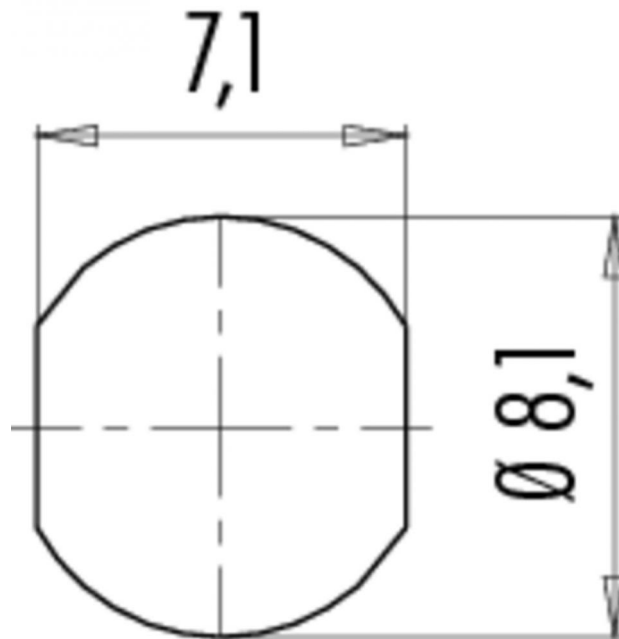
Material

Contact material	CuZn (brass)
Contact plating	Au (gold)
Contact body material	PA (UL 94 V-0)
Housing material	PA

Product description **Contacts: 4, male panel mount connector, dip-solder**

Area **Snap-in IP67, subminiature Series 620 MED**
Order number **99 9211 490 04**

Assembly instructions / Panel cut-out



Product description **Contacts: 4, male panel mount connector, dip-solder**

Area **Snap-in IP67, subminiature Series 620 MED**
Order number **99 9211 490 04**

Security notices

The connector must not be connected or separated under load. Non-observance and incorrect use can result in personal injury.

The connectors are designed for use in plant, control system and electrical equipment. The end user is responsible for checking whether the connectors are suitable for use in other applications.

To prevent the connector being opened unintentionally when used in electrical circuits containing hazardous life parts, the thread between the housing and the connector head must be secured using a suitable cyanoacrylate adhesive. This does not apply to connectors used in SELV and PELV circuits according to IEC 61140 (EN 61140, VDE 0140-1).

Connectors with degree of protection IP 67 and IP 68 are not suitable for use under water. When used outdoors, the connectors must be separately protected against corrosion. For further information about IP degrees of protection refer to 'Technical support' in the Download Centre.