

Features:

- Surge overload rating -220 amperes peak
- Ideal for printed circuit board
- Reliable low cost construction utilizing molded plastic technique
- Plastic material has UL flammability classification 94V-0

Mechanical Data:

Mounting Position : Any
 Reverse Voltage : 800 to 1000 Volts
 Forward Current : 10 Amperes

Maximum Ratings and Electrical Characteristics:

Rating at 25°C ambient temperature unless otherwise specified.
 Single phase, half wave, 60Hz, resistive or inductive load.
 For capacitive load, derate current by 20%.

Characteristics	Symbol	GBU1008	GBU1010	Unit
Max. Recurrent Peak Reverse Voltage	V _{RRM}	800	1000	V
Max. RMS Voltage	V _{RMS}	560	700	
Max. DC Blocking Voltage	V _{DC}	800	1000	
Max. Average Forward (with heatsink Note 2) Rectified Current T _c = 100°C (without heatsink)	I _(AV)	10	3	A
Peak Forward Surge Current, 8.3ms Single Half Sine-wave Super Imposed on Rated Load (JEDEC Method)	I _{FSM}	220		
Max. Forward Voltage at 5A DC	V _F	1		V
Max. DC Reverse Current at T _J = 25°C Rated DC Blocking Voltage at T _J = 125°C	I _R	10	500	µA
I ² t Rating for Fusing (t<8.3ms)	I ² t	200		A ² s
Typical Junction Capacitance per Element (Note 1)	C _J	70		pF
Typical Thermal Resistance	R _{θJC}	2.2		°C/W
Operating Temperature Range	T _J	-55 to +150		°C
Storage Temperature Range	T _{STG}			

Notes:

1. Measured at 1.0MHz and applied reverse voltage of 4.0V DC.
2. Device mounted on 100mm × 100mm × 1.6mm Cu plate heatsink.
3. The typical data above is for reference only

Ratings and Characteristic Curves

FIG.1-MAXIMUM FORWARD SURGE CURRENT

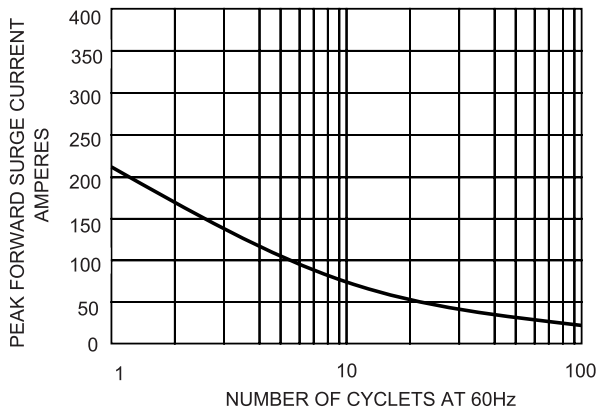


FIG.2- DERATING CURVE
OUTPUT RECTIFIED CURRENT

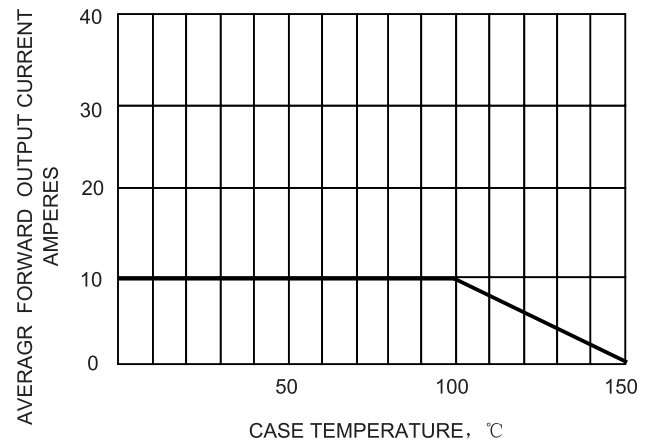


FIG.3-TYPICAL FORWARD CHARACTERISTICS

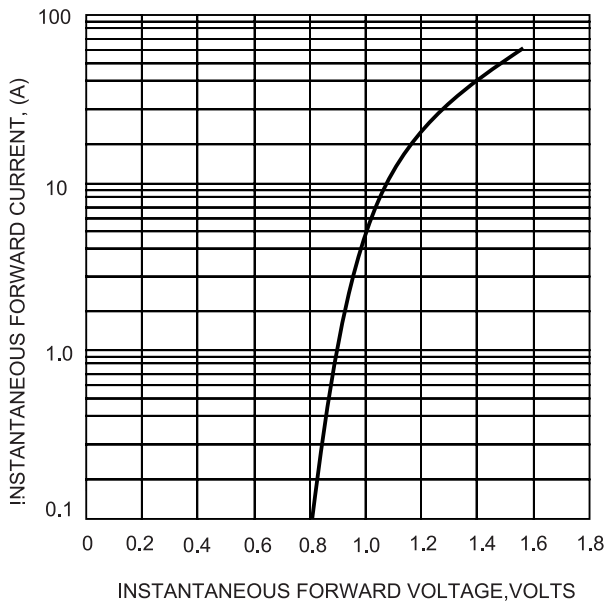
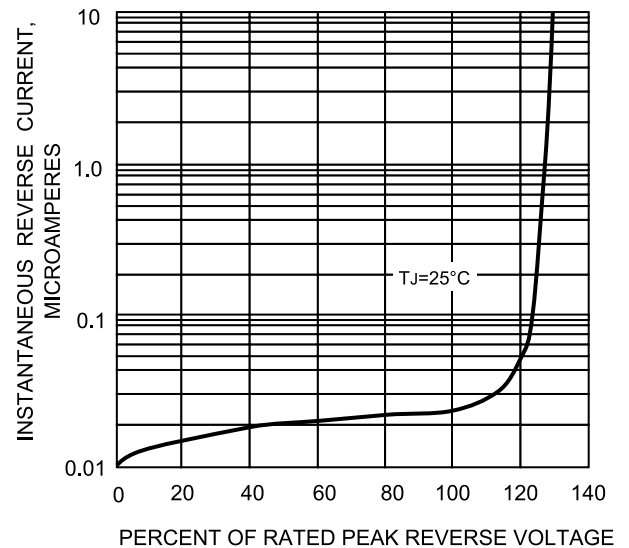
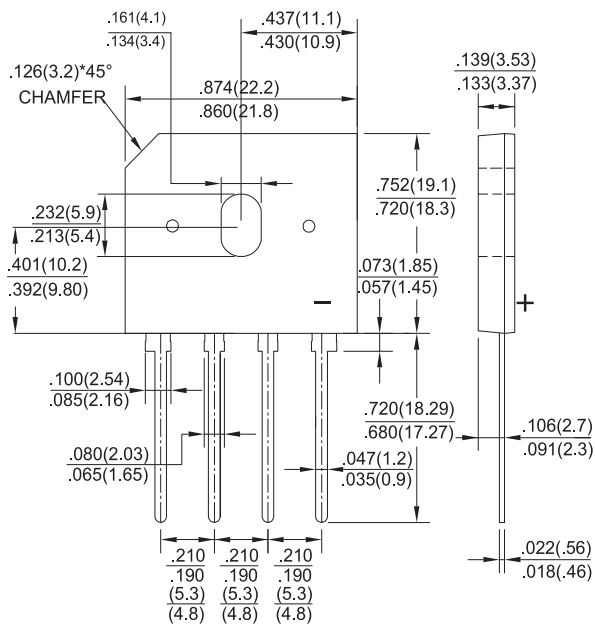


FIG.4-TYPICAL REVERSE CHARACTERISTICS



Dimensions:

GBU



Dimensions : Inches (Millimetres)

Part Number Table

Description	Part Number
Bridge Rectifier, 10A 800V	GBU1008
Bridge Rectifier, 10A 1000V	GBU1010

Important Notice : This data sheet and its contents (the "Information") belong to the members of the AVNET group of companies (the "Group") or are licensed to it. No licence is granted for the use of it other than for information purposes in connection with the products to which it relates. No licence of any intellectual property rights is granted. The Information is subject to change without notice and replaces all data sheets previously supplied. The Information supplied is believed to be accurate but the Group assumes no responsibility for its accuracy or completeness, any error in or omission from it or for any use made of it. Users of this data sheet should check for themselves the Information and the suitability of the products for their purpose and not make any assumptions based on information included or omitted. Liability for loss or damage resulting from any reliance on the Information or use of it (including liability resulting from negligence or where the Group was aware of the possibility of such loss or damage arising) is excluded. This will not operate to limit or restrict the Group's liability for death or personal injury resulting from its negligence. Multicomp Pro is the registered trademark of Premier Farnell Limited 2019.

Newark.com/multicomp-pro
 Farnell.com/multicomp-pro
 Element14.com/multicomp-pro