



CUSTOMER INFORMATION

Glove Dispenser

Description:

Our wall mounted Glove Dispensers are suitable for all Supertouch glove boxes, offering a compact and hygienic way to store and dispense your disposable gloves.

- Hygienic plastic construction
- Clear plastic
- Sized for 100-glove dispenser boxes
- 1 or 4 box capacity
- Washable
- Suitable for wall fixing

Applications:

Hygiene rules, controlled areas

Colourways:

C Clear

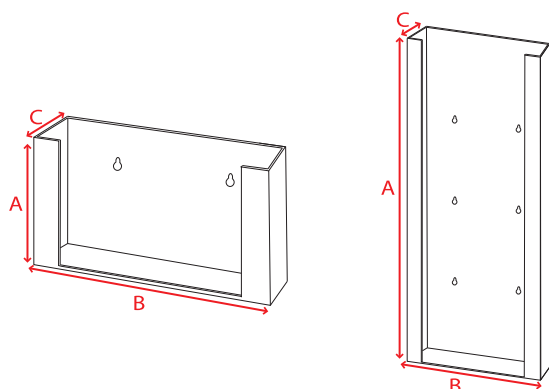
Product Codes:

50201	One Size	1 Box Dispenser - Clear
50204	One Size	4 Box Dispenser - Clear

Standards:



EC Council Directive 89/686/EEC



Size Chart:

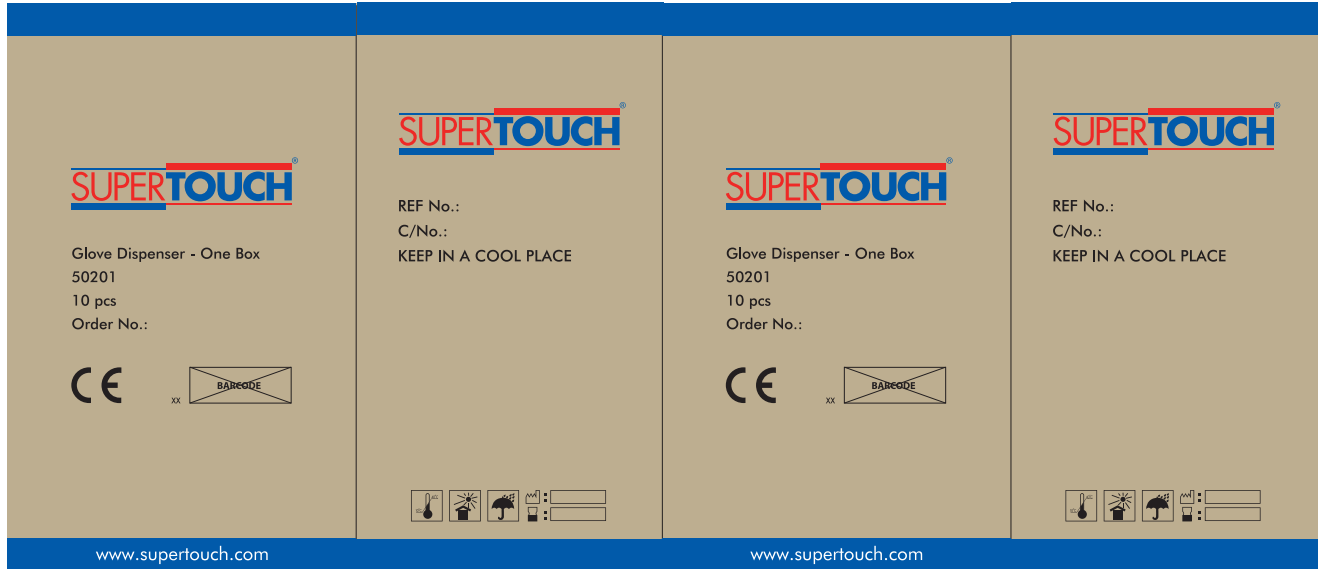
Measurements in mm	50201	50204
Length (A)	140	530
Width (B)	255	255
Height (C)	90	90

Issue No.: 2

Issue Date: 14/11/2014

Packaging: 1 piece per box - 10 boxes per case

Outer Carton Artwork:



The information shown on this specification sheet is intended as a guide and is advisory only. All details were correct at the time of issue. As conditions of use are ultimately beyond our control, we advise that the product is tested for the particular application before use.