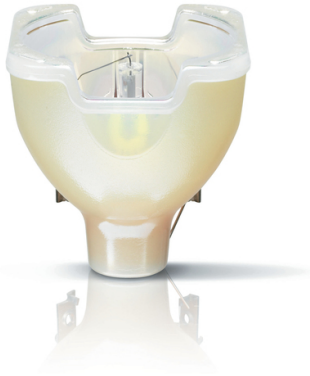


MSD Platinum (Touring/ Stage)

MSD Platinum 15 R 1CT



The MSD Platinum lamps open up new levels of creative freedom in entertainment lighting, with powerful, compact and brilliantly intense light. Their compact, lightweight design provides the freedom to create smaller, lighter luminaires – for use at any location on stage. And their short arc, high color temperature and innovative reflector produce a sparkling, high beam intensity for outstanding color reproduction. They also offer long and reliable lifetime, high efficacy and fast replacement times. It all adds up to an intensely exciting creative experience.

Product data

• General Characteristics

| | |
|----------------------|---------------|
| System Description | - |
| Cap-Base | - |
| Cap-Base Information | - |
| Operating Position | any |
| Main Application | Stage/Touring |
| Life to 50% failures | 2000 hr |
| EM | |

• Light Technical Characteristics

| | |
|---------------------------|-----------------------------|
| Color Code | 2 |
| Color Temperature | 8000 K |
| Chromaticity Coordinate X | 299 - |
| Chromaticity Coordinate Y | 303 - |
| Luminous Flux Lamp EM | 11000 (min), 13500 (nom) Lm |

• Electrical Characteristics

| | |
|------------------------|-------|
| Lamp Wattage | 300 W |
| Lamp Wattage Technical | 300 W |
| Dimmable | Yes |

• Luminaire Design Requirements

| | |
|-------------------|-------------|
| Pinch Temperature | 350 (max) C |
| Bulb Temperature | 900 (max) C |

• Product Dimensions

| | |
|------------------|---------------|
| Overall Length C | 66.4 (max) mm |
| Diameter D | 58.5 (max) mm |
| Arc Length O | 1.3 mm |

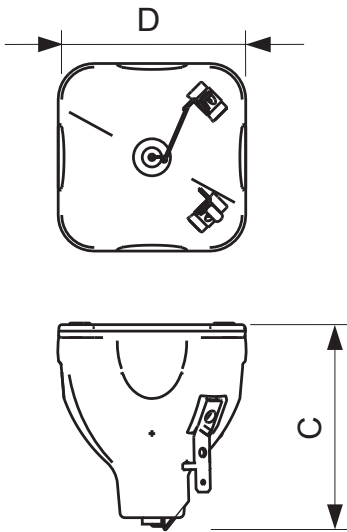
• Product Data

| | |
|-----------------------------|-----------------------|
| Order code | 928191605314 |
| Full product code | 928191605314 |
| Full product name | MSD Platinum 15 R 1CT |
| Order product name | MSD Platinum 15 R 1CT |
| Pieces per pack | 1 |
| Packing configuration | 8 |
| Packs per outerbox | 8 |
| Bar code on pack - EAN1 | 8718291135357 |
| Bar code on outerbox - EAN3 | 8718291135364 |
| Logistic code(s) - 12NC | 928191605314 |
| Net weight per piece | 0.100 kg |

PHILIPS

MSD Platinum (Touring/Stage)

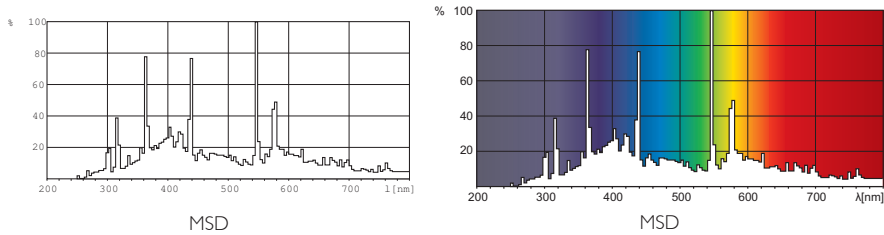
Dimensional drawing



MSD Platinum 15 R 1CT

| Product | C (Max) | D (Max) | F (Min) | F (Norm) | F (Max) | L (Min) | L (Norm) | L (Max) | O (Norm) | T (Max) |
|-------------------|---------|---------|---------|----------|---------|---------|----------|---------|----------|---------|
| MSD Platinum 15 R | 66.4 | 58.5 | - | - | - | - | - | - | 1.3 | - |

Photometric data



© 2015 Koninklijke Philips N.V. (Royal Philips)
All rights reserved.

Specifications are subject to change without notice. Trademarks are the property of Koninklijke Philips N.V. (Royal Philips) or their respective owners.

www.philips.com/lighting

2015, March 9
data subject to change