



DEUTSCH | DEUTSCH 983 Series

TE Internal #: ZPF000000000008455

Standard Circular Connectors, Wire-to-Panel, 2 Position, Sealable, Wire & Cable, Power, Signal & High Speed Data, Panel Mount, DEUTSCH 983 Series

[View on TE.com >](#)

Connectors > Circular Connectors > Standard Circular Connectors



Connector System: **Wire-to-Panel**

Number of Positions: **2**

Sealable: **Yes**

Connector & Contact Terminates To: **Wire & Cable**

Contact Current Rating (Max): **60 A**

Features

Product Type Features

Product Type	Connector
Accessory Color	Natural
Prewired	No
Assembly Type	Electrical Connector
Connector System	Wire-to-Panel
Sealable	Yes
Connector & Contact Terminates To	Wire & Cable
Circular Connector Type	Plug
Shell Type	Plug

Configuration Features

Factory Installed Backshell	Without
Keying	Keyway Polarization 6
Number of Positions	2
Number of Power Positions	2
Number of Signal Positions	0
Contacts Preloaded	No

Body Features

--	--



Shell Plating Material	Nickel
Shell Base Material	Aluminum
Circular Connector Insulation Material Type	Thermoset
Hermetically Sealed	No

Contact Features

Contact Current Rating (Max)	60 A
Reverse Gender	No
Contact Layout Arrangement	18 – 2
Circular Connector Contact Type	Less Socket

Termination Features

Termination Method to Wire & Cable	Crimp
------------------------------------	-------

Mechanical Attachment

Mating Retention Type	Threaded
Mating Alignment	With
Connector Mounting Type	Panel Mount
Mating Alignment Type	Keyed
Mating Retention	With

Housing Features

Circular Connector Shell Size	18
Alignment Keyed	Clocking

Dimensions

Wire Size	3.31 – 13.3 mm ²
-----------	-----------------------------

Usage Conditions

Operating Temperature Range	-65 – 200 °C[-85 – 392 °F]
-----------------------------	----------------------------

Operation/Application

Durability Rating	500 Cycles
Circuit Application	Power, Signal & High Speed Data
Shielded	Yes

Industry Standards

Approved Standards	EN2997
--------------------	--------

Product Compliance



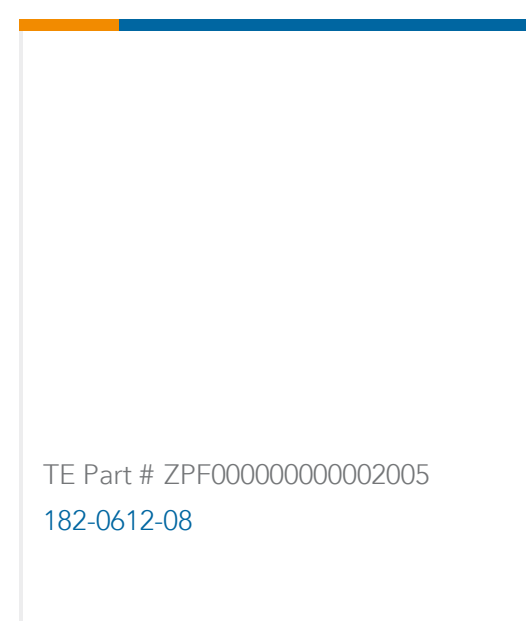
[For compliance documentation, visit the product page on TE.com>](#)

EU RoHS Directive 2011/65/EU	Compliant
EU ELV Directive 2000/53/EC	Out of Scope
China RoHS 2 Directive MIIT Order No 32, 2016	No Restricted Materials Above Threshold
EU REACH Regulation (EC) No. 1907/2006	Current ECHA Candidate List: JUNE 2022 (224) Candidate List Declared Against: JUNE 2022 (224) Does not contain REACH SVHC
Halogen Content	Low Halogen - Br, Cl, F, I < 900 ppm per homogenous material. Also BFR/CFR/PVC Free
Solder Process Capability	Not reviewed for solder process capability

Product Compliance Disclaimer

This information is provided based on reasonable inquiry of our suppliers and represents our current actual knowledge based on the information they provided. This information is subject to change. The part numbers that TE has identified as EU RoHS compliant have a maximum concentration of 0.1% by weight in homogenous materials for lead, hexavalent chromium, mercury, PBB, PBDE, DBP, BBP, DEHP, DIBP, and 0.01% for cadmium, or qualify for an exemption to these limits as defined in the Annexes of Directive 2011/65/EU (RoHS2). Finished electrical and electronic equipment products will be CE marked as required by Directive 2011/65/EU. Components may not be CE marked. Additionally, the part numbers that TE has identified as EU ELV compliant have a maximum concentration of 0.1% by weight in homogenous materials for lead, hexavalent chromium, and mercury, and 0.01% for cadmium, or qualify for an exemption to these limits as defined in the Annexes of Directive 2000/53/EC (ELV). Regarding the REACH Regulations, TE's information on SVHC in articles for this part number is still based on the European Chemical Agency (ECHA) 'Guidance on requirements for substances in articles' (Version: 2, April 2011), applying the 0.1% weight on weight concentration threshold at the finished product level. TE is aware of the European Court of Justice ruling of September 10th, 2015 also known as O5A (Once An Article Always An Article) stating that, in case of 'complex object', the threshold for a SVHC must be applied to both the product as a whole and simultaneously to each of the articles forming part of its composition. TE has evaluated this ruling based on the new ECHA "Guidance on requirements for substances in articles" (June 2017, version 4.0) and will be updating its statements accordingly.

Compatible Parts



Also in the Series | **DEUTSCH 983 Series**



Standard Circular Connectors(3578)

Customers Also Bought



TE Part #YACT26MG41HAV00100
STRAIGHT PLUG



TE Part #653820-000
TMS-SCE-1K-1/2-2.0-6



TE Part #1752680-8
HYP10 SOLIS FLAG 8AWG NEST



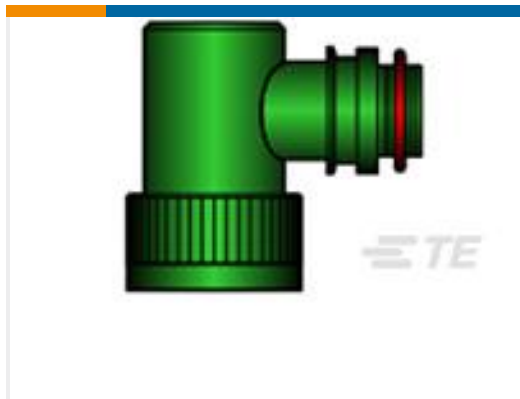
TE Part #2266174-2
OCEAN-2.0-APPLICATOR-S-070F1000



TE Part #YACT20MD19ANV00100
SQUARE FLANGE RECEPTACLE



TE Part #668285-000
D-110-00CS681



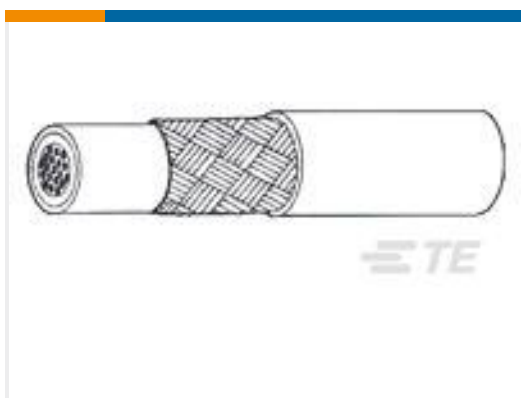
TE Part #405943-000
TXR54AC90-1004BI



TE Part #ZPF400000000007238
983-ORS 18-02 P6 L-A1325



TE Part #208550-4
AMPLIMITE,ASY,RCPT,36C4,SN,CS,5



TE Part #CB6966-000
44A1111-24-9-91

Documents

Product Drawings

[983-6RS 18-02 S6 L-A1325](#)

English

CAD Files

[3D PDF](#)

[3D](#)

Customer View Model

[ENG_CVM_CVM_ZPF00000000008455_1.2d_dxf.zip](#)



English

Customer View Model

[ENG_CVM_CVM_ZPF000000000008455_1.3d_igs.zip](#)

English

Customer View Model

[ENG_CVM_CVM_ZPF000000000008455_1.3d_stp.zip](#)

English

By downloading the CAD file I accept and agree to the [Terms and Conditions](#) of use.

Datasheets & Catalog Pages

[DEUTSCH 983 Series](#)

English