

## Data sheet for SIMOTICS S-1FK2

Article No. : 1FK2106-3AF11-0MA0



Figure similar

Client order no. :  
Order no. :  
Offer no. :  
Remarks :

Item no. :  
Consignment no. :  
Project :

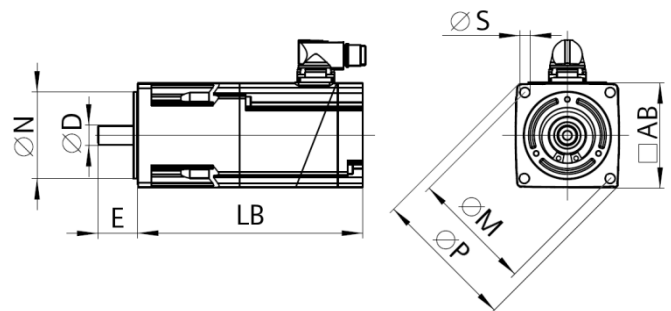
Basic motor data	
Motor type	Permanent-magnet synchronous motor, Natural cooling, IP65
Motor type	High Dynamic
Static torque	9.00 Nm
Static current	9.2 A
Maximum torque	26.00 Nm
Maximum current	43.0 A
Maximum speed	6,000 rpm
Rotor moment of inertia	6.3000 kgcm <sup>2</sup>
Weight	9.0 kg

Rated data	
SINAMICS S210, 3AC 400V	
Rated speed	3,000 rpm
Rated torque	7.30 Nm
Rated current	7.9 A
Rated power	2.30 kW

Encoder system	
Encoder system	Encoder AM22DQC: Absolute encoder 22 bit + 12 bit multitrurn

Motor connection	
Connection type	OCC for S210
Connector size	M23

Mechanical data	
Design acc. to Code I	IM B5 (IM V1, IM V3)
Vibration severity grade	Grade A
Shaft height	63
Flange size (AB)	125 mm
Centering ring (N)	110 mm
Hole circle (M)	130 mm
Screw-on hole (S)	9.0 mm
Overall length (LB)	225 mm
Diameter of shaft (D)	24 mm
Length of shaft (E)	50 mm
Length of flange diagonal (P)	158 mm
Shaft end	Plain shaft
Color of the housing	Standard (Anthracite, similar to RAL 7016)



Holding brake	
Holding torque	16.00 Nm
Average dynamic torque	9.00 Nm
Opening time	70 ms
Closing time	35 ms
Maximum single switching energy <sup>1)</sup>	1,065 J
Service life, operating energy	774,000 J
Holding current <sup>2)</sup>	0.35 A
Break-induced current for 500 ms <sup>2)</sup>	1.1 A

<sup>1)</sup>Up to three consecutive emergency stops and up to 25% of all emergency stops as a Wmax high energy stop possible.

<sup>2)</sup>Typical value for 20°C ambient temperature. At -15°C the break-induced currents can be increased by up to 30%.