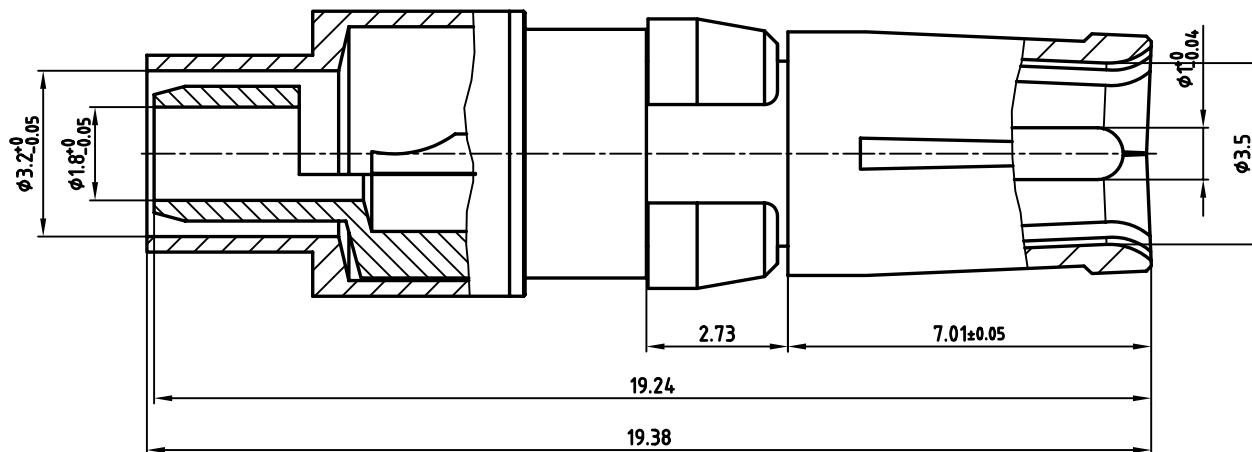


used for: D-SUB COMBINATION



Directive 2002/95/EC  
"RoHS"  
Compliant

APPROVAL * FREIGABE * DEBLOCAGE * AUTORIZACION * APPROVAL	
CUSTOMER APPROVAL DATE:	
NAME:	TITLE:
COMPANY NAME:	
APPROVAL * FREIGABE * DEBLOCAGE * AUTORIZACION * APPROVAL	

THIS DRAWING MAY NOT BE COPIED OR REPRODUCED IN ANY WAY, AND MAY NOT BE PASSED ON TO A THIRD PARTY WITHOUT WRITTEN PERMISSION.  
OWNERSHIP AND COPYRIGHT OF CONEC GmbH  
DO NOT ALTER CAD DRAWING BY HAND

rev.	description	date	name	tolerance
1 x c	Ä 2535	18.07.2006	Lehmen	d-old
"b"	Ä 1077	30.11.1999	Mick.	
a	Origin			

scale:	10:1
material:	
title:	COAXIAL CONTACT SOCKET 75 OHM
	19.2mm, inner conductor for solder termination outer conductor for solder or crimp termination
dwg no:	AutoCAD 2006
part no:	13K2IU7B
	132J30019X



DIN-A  
3  
sh: 1/1