

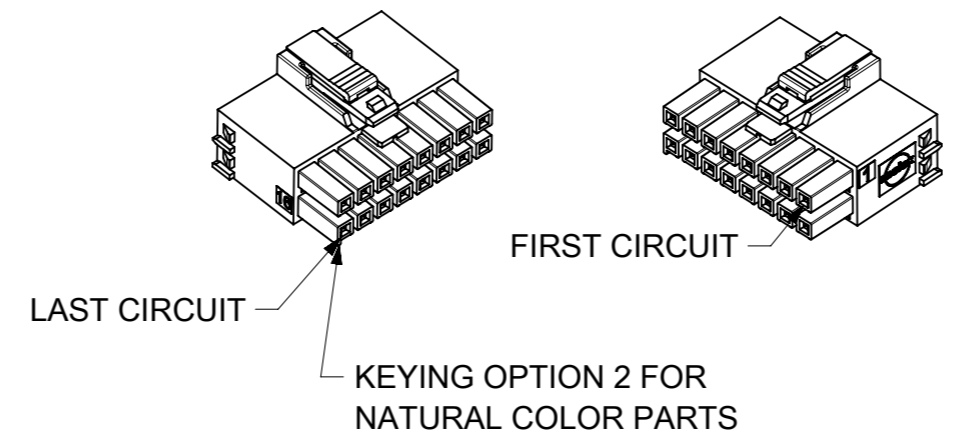
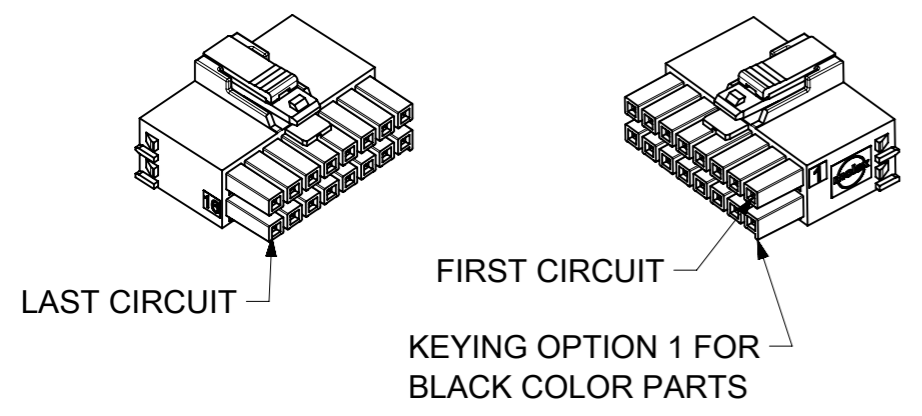
- NOTES:
- MATERIAL:
OPTION 1: NYLON, BLACK;
OPTION 2: NYLON, NATURAL.
 - PARTS TO BE PACKAGED PER PK-172323-0004
 - PRODUCT SPECIFICATION PS-172323-0001
 - PART MATES WITH MOLEX R/A HEADER ASSEMBLY 172316 AND VERTICAL HEADER ASSEMBLY 172298, 172299 SERIES.
 - TO USE WITH TERMINAL 172253-6***, 172253-7***
 - TO USE WITH TPA 172264-3***, 172264-4***
 - PARTS CONFORM TO CLASS "B" REQUIREMENTS OF COSMETIC SPECIFICATION PS-45499-002
 - APPLICATION SPECIFICATION: AS-172323-0001.

| | | | | | | | | | | |
|---|-------|--------------------------|---------|--------|-----------------|----------------|--|--|--|--|
| THIS DRAWING CONTAINS INFORMATION THAT IS PROPRIETARY TO MOLEX ELECTRONIC TECHNOLOGIES, LLC AND SHOULD NOT BE USED WITHOUT WRITTEN PERMISSION | | | | | | | | | | |
| DIMENSION UNITS | SCALE | CURRENT REV DESC: | | | | | molex | | | |
| mm | 2:1 | | | | | | | | | |
| GENERAL TOLERANCES (UNLESS SPECIFIED) | | EC NO: 612749 | | | | | ULTRA-FIT TANGLES HSG DUAL ROW 4-16CKT | | | |
| ANGULAR TOL ± ° | | DRWN: SCHEN76 2018/03/09 | | | | | PRODUCT CUSTOMER DRAWING | | | |
| 4 PLACES ± | | CHK'D: AYIN 2019/02/27 | | | | | DOCUMENT NUMBER | | | |
| 3 PLACES ± | | APPR: AYIN 2019/02/27 | | | | | 1722580003 | | | |
| 2 PLACES ± 0.25 | | INITIAL REVISION: | | | | | DOC TYPE DOC PART REVISION | | | |
| 1 PLACE ± 0.5 | | DRWN: SCHEN76 2018/03/09 | | | | | PSD 000 A | | | |
| 0 PLACES ± | | APPR: AYIN 2019/02/27 | | | | | SHEET NUMBER | | | |
| DRAFT WHERE APPLICABLE MUST REMAIN WITHIN DIMENSIONS | | THIRD ANGLE PROJECTION | DRAWING | SERIES | MATERIAL NUMBER | CUSTOMER | 1 OF 2 | | | |
| | | | A3-SIZE | 172258 | | GENERAL MARKET | | | | |

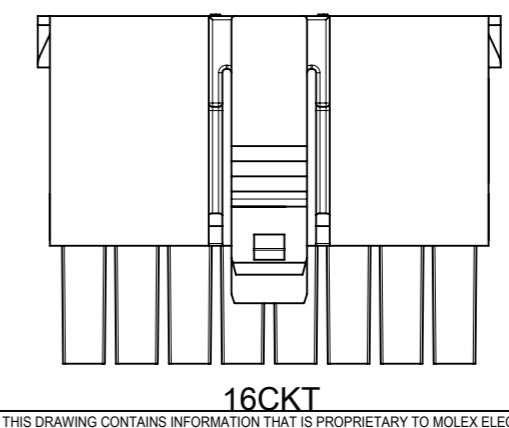
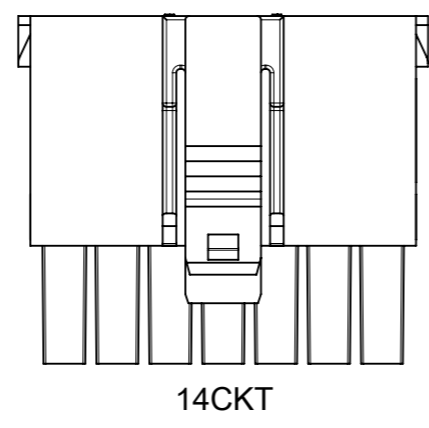
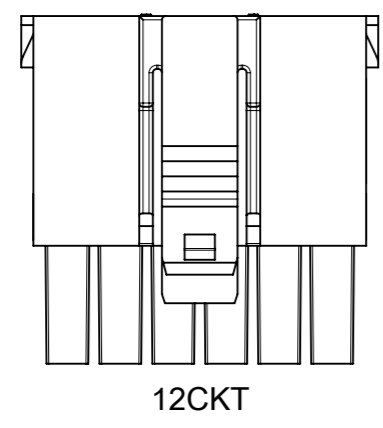
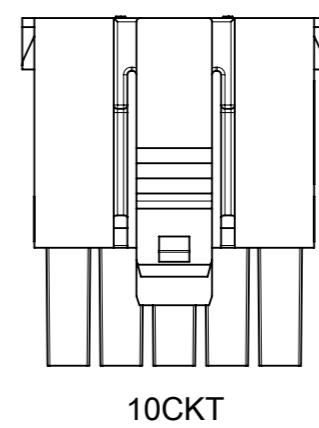
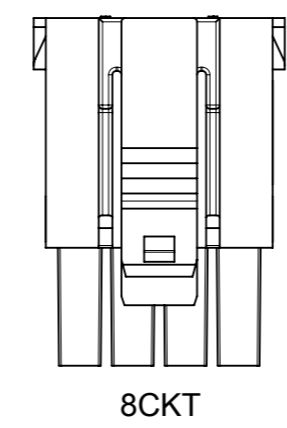
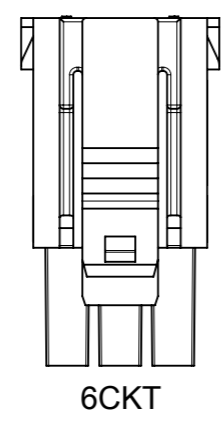
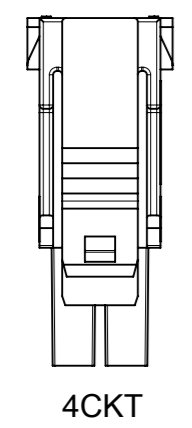
10 9 8 7 6 5 4 3 2 1

KEYING OPTION 1

KEYING OPTION 2



| PART NUMBER | COLOR | CIRCUIT SIZE | KEY OPTION | DIM B |
|-------------|---------|--------------|------------|-------|
| 172258-3104 | BLACK | 4 | 1 | 8.00 |
| 172258-3106 | BLACK | 6 | 1 | 11.50 |
| 172258-3108 | BLACK | 8 | 1 | 15.00 |
| 172258-3110 | BLACK | 10 | 1 | 18.50 |
| 172258-3112 | BLACK | 12 | 1 | 22.00 |
| 172258-3114 | BLACK | 14 | 1 | 25.50 |
| 172258-3116 | BLACK | 16 | 1 | 29.00 |
| 172258-4104 | NATURAL | 4 | 2 | 8.00 |
| 172258-4106 | NATURAL | 6 | 2 | 11.50 |
| 172258-4108 | NATURAL | 8 | 2 | 15.00 |
| 172258-4110 | NATURAL | 10 | 2 | 18.50 |
| 172258-4112 | NATURAL | 12 | 2 | 22.00 |
| 172258-4114 | NATURAL | 14 | 2 | 25.50 |
| 172258-4116 | NATURAL | 16 | 2 | 29.00 |



THIS DRAWING CONTAINS INFORMATION THAT IS PROPRIETARY TO MOLEX ELECTRONIC TECHNOLOGIES, LLC AND SHOULD NOT BE USED WITHOUT WRITTEN PERMISSION

| | | | | | | |
|--|------------------------|--------------------------|--------------------------|-----------------|----------------|--|
| DIMENSION UNITS mm | SCALE 2:1 | CURRENT REV DESC: | molex | | | |
| GENERAL TOLERANCES (UNLESS SPECIFIED) | | | | | | ULTRA-FIT TANGLES HSG DUAL ROW 4-16CKT |
| ANGULAR TOL ± ° | | EC NO: 612749 | PRODUCT CUSTOMER DRAWING | | | |
| 4 PLACES ± | | DRWN: SCHEN76 2018/03/09 | | | | |
| 3 PLACES ± | | CHK'D: AYIN 2019/02/27 | DOCUMENT NUMBER | DOC TYPE | DOC PART | REVISION |
| 2 PLACES ± 0.25 | | APPR: AYIN 2019/02/27 | 1722580003 | PSD | 000 | A |
| 1 PLACE ± 0.5 | | INITIAL REVISION: | GENERAL MARKET | | | |
| 0 PLACES ± | | DRWN: SCHEN76 2018/03/09 | | | | |
| DRAFT WHERE APPLICABLE MUST REMAIN WITHIN DIMENSIONS | THIRD ANGLE PROJECTION | DRAWING | SERIES | MATERIAL NUMBER | CUSTOMER | SHEET NUMBER |
| | | A3-SIZE | 172258 | | GENERAL MARKET | 2 OF 2 |

10 9 8 7 6 5 4 3 2 1