

# UM11380

TJA1145A evaluation board (compatible with Arduino UNO)

Rev. 1 — 4 November 2020

User guide

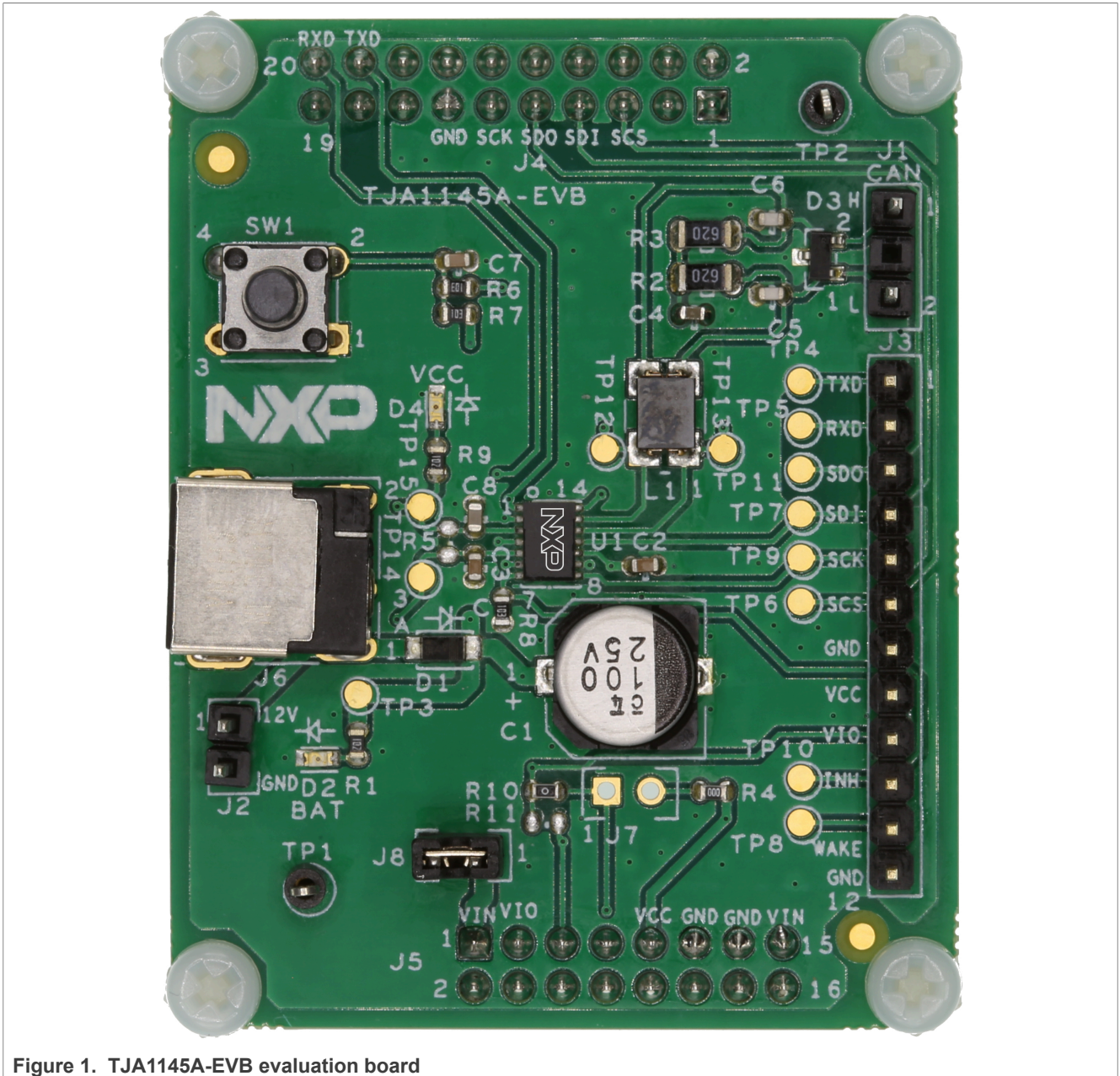


Figure 1. TJA1145A-EVB evaluation board

### Important Notice

NXP provides the enclosed product(s) under the following conditions:

This evaluation kit is intended for use of ENGINEERING DEVELOPMENT OR EVALUATION PURPOSES ONLY. It is provided as a sample IC pre-soldered to a printed circuit board to make it easier to access inputs, outputs, and supply terminals. This evaluation board may be used with any development system or other source of I/O signals by simply connecting it to the host MCU or computer board via off-the-shelf cables. This evaluation board is not a Reference Design and is not intended to represent a final design recommendation for any particular application. Final device in an application will be heavily dependent on proper printed circuit board layout and heat sinking design as well as attention to supply filtering, transient suppression, and I/O signal quality.

The goods provided may not be complete in terms of required design, marketing, and or manufacturing related protective considerations, including product safety measures typically found in the end product incorporating the goods. Due to the open construction of the product, it is the user's responsibility to take any and all appropriate precautions with regard to electrostatic discharge. In order to minimize risks associated with the customer's applications, adequate design and operating safeguards must be provided by the customer to minimize inherent or procedural hazards. For any safety concerns, contact NXP sales and technical support services.

Should this evaluation kit not meet the specifications indicated in the kit, it may be returned within 30 days from the date of delivery and will be replaced by a new kit.

NXP reserves the right to make changes without further notice to any products herein. NXP makes no warranty, representation or guarantee regarding the suitability of its products for any particular purpose, nor does NXP assume any liability arising out of the application or use of any product or circuit, and specifically disclaims any and all liability, including without limitation consequential or incidental damages. Typical parameters can and do vary in different applications and actual performance may vary over time. All operating parameters, including Typical, must be validated for each customer application by customer's technical experts.

NXP does not convey any license under its patent rights nor the rights of others. NXP products are not designed, intended, or authorized for use as components in systems intended for surgical implant into the body, or other applications intended to support or sustain life, or for any other application in which the failure of the NXP product could create a situation where personal injury or death may occur.

Should the Buyer purchase or use NXP products for any such unintended or unauthorized application, the Buyer shall indemnify and hold NXP and its officers, employees, subsidiaries, affiliates, and distributors harmless against all claims, costs, damages, and expenses, and reasonable attorney fees arising out of, directly or indirectly, any claim of personal injury or death associated with such unintended or unauthorized use, even if such claim alleges NXP was negligent regarding the design or manufacture of the part.

## 1 Introduction

This document is the user guide for the TJA1145A-EVB evaluation board. It is intended for engineers involved in the evaluation, design, implementation, and validation of the TJA1145A High-speed CAN transceiver for partial networking. This guide discusses power supply requirements and the MCU and CAN bus interfaces, and describes how to connect the board into an ECU/CAN network.

The TJA1145A-EVB evaluation board is designed to facilitate the testing and evaluation of TJA1145A product features in a variety of microcontroller IO interface environments. All MCU interface signals can be accessed in two ways: they are available at a header row on the top side and also at header rows on the bottom side that can be plugged directly into many NXP MCU evaluation boards. The TJA1145A-EVB board is designed to be compatible with the S32K1xx evaluation board series from NXP and to support the use of standard software development tools and drivers.

## 2 Board overview

Top and bottom views of the TJA1145A-EVB evaluation board are illustrated in [Figure 2](#).

Board dimensions are 45.1 mm × 58.4 mm. Only components needed to support basic TJA1145A functionality are included. The board contains CAN communication, power supply and wake-up circuitry and LEDs indicating when pins BAT and VCC are supplied. It provides several header rows (2.56 mm pitch) for connecting MCU interface and application signals.

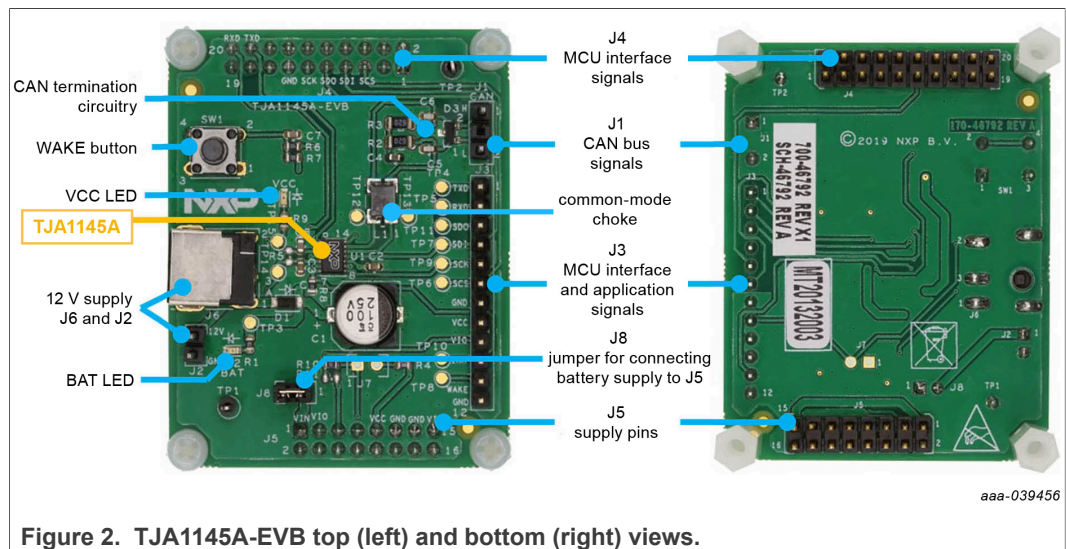


Figure 2. TJA1145A-EVB top (left) and bottom (right) views.

## 2.1 Ground connections

All ground pins are connected to the ground plane.

Table 1. Ground connections

Ground connections
J2-02
J3-07/12
J4-13
J5-11/13
J6-02/03

## 2.2 Power supply connections

### 2.2.1 Battery connections

An external power supply must be connected to either power jack J6 or 2-pin connector J2, as illustrated in [Figure 3](#).

Table 2. TJA1145A/TJA1145A-EVB pins

TJA1145A	TJA1145A-EVB
BAT (pin 10)	J2-01 or J6-01: connect to battery supply

Both supply circuits are routed via polarity protection Schottky diode D1 in order to block reverse currents. Decoupling capacitors C1 and C2 are provided to stabilize the input voltage and remove noise on the battery connection.

Green LED D2 lights up once the 12 V power supply has been connected.

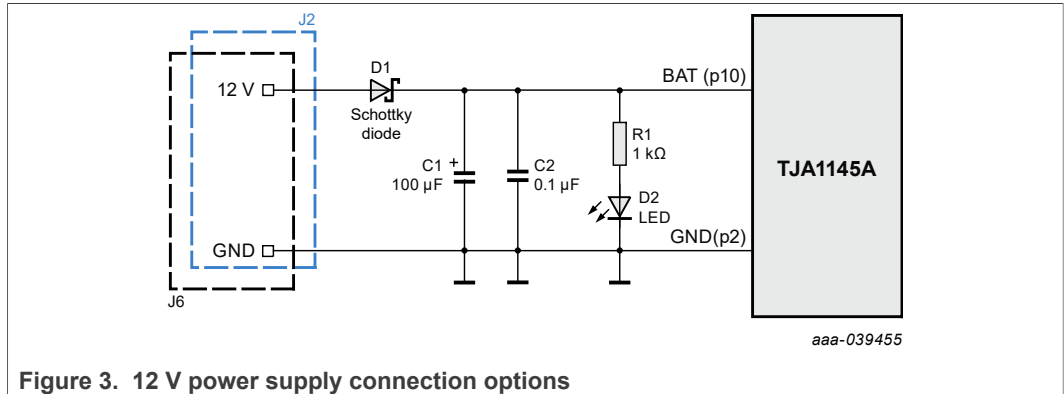


Figure 3. 12 V power supply connection options

2.2.2 VCC/VIO connections

A 5 V VCC supply is needed to operate the CAN transmitter and receiver in Normal and Standby modes. A VIO supply is needed to supply the digital IOs and MCU interface (e.g. SPI pins). The VIO voltage must be aligned with the MCU interface supply voltage. The VCC and VIO voltages are not needed for Sleep mode. Detailed information on the functionality and operation of the TJA1145A can be found in the data sheet and application hints (see [Section 6](#)).

Table 3. TJA1145A/TJA1145A-EVB pins

TJA1145A	TJA1145A-EVB
VCC (pin 3)	J3-08 or J5-09: connect 5 V supply voltage
VIO (pin 5)	J3-09 or J5-03: connect MCU-compatible supply voltage
-	J5-01 or J5-15: pin VIN on TJA1145A-EVB board; connected to battery supply by default via jumper J8; remove jumper J8 to disconnect VIN on J5 from the battery supply

The VCC and VIO supplies can be connected to either J3 or J5. J3 is located on the top of the TJA1145A-EVB evaluation board and J5 is mounted on the bottom of the board. The J5 connector pin arrangement follows the Arduino Uno pinout order, allowing the TJA1145A-EVB to be connected directly to a variety of NXP MCU evaluation boards. Decoupling capacitors C3 and C8 are provided to stabilize the input voltages and remove noise on the VCC and VIO inputs. Red LED D4 lights up when the VCC voltage is present.

By default, the TJA1145A-EVB evaluation board battery supply is routed to the MCU board via pin VIN on the Arduino connector, allowing the supply to the entire module to be managed via the TJA1145A-EVB board. This feature can be disabled by removing jumper J8, disconnecting the battery supply from pin VIN.

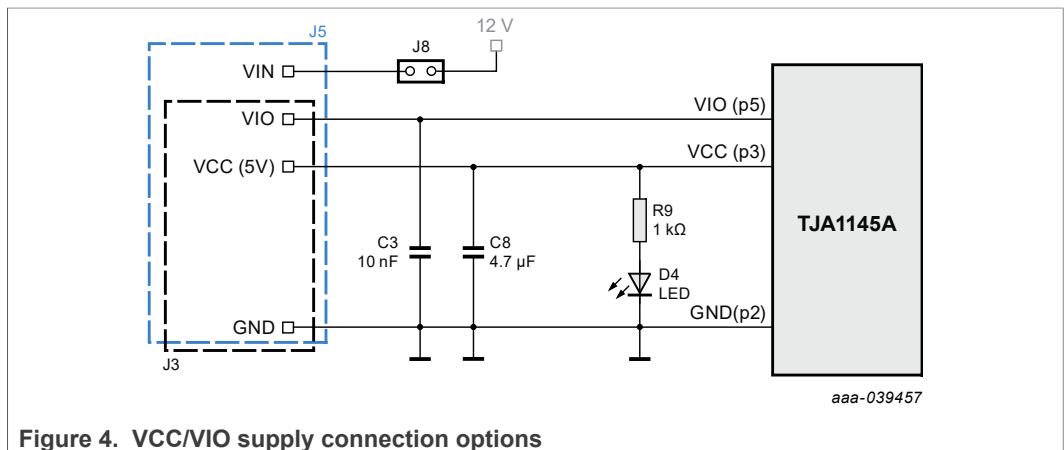


Figure 4. VCC/VIO supply connection options

### 2.3 CAN communication circuitry

The TJA1145A-EVB evaluation board contains typical CAN communication circuitry. The CANH and CANL bus signals are output on connector J1.

Table 4. TJA1145A/TJA1145A-EVB pins

TJA1145A	TJA1145A-EVB
CANH (pin 13)	J1-01: connect to HIGH-level CAN bus line
CANL (pin 12)	J1-02: connect to LOW-level CAN bus line

Equipped with termination resistors R2 and R3, the TJA1145A-EVB evaluation board is pre-prepared to be used as a termination node in a CAN network. If the CAN network is already terminated at both ends, it is recommended to remove R2 and R3 or replace them with higher value resistors to ensure that the impedance on the bus meets the CAN bus load specification, typically 60 Ω.

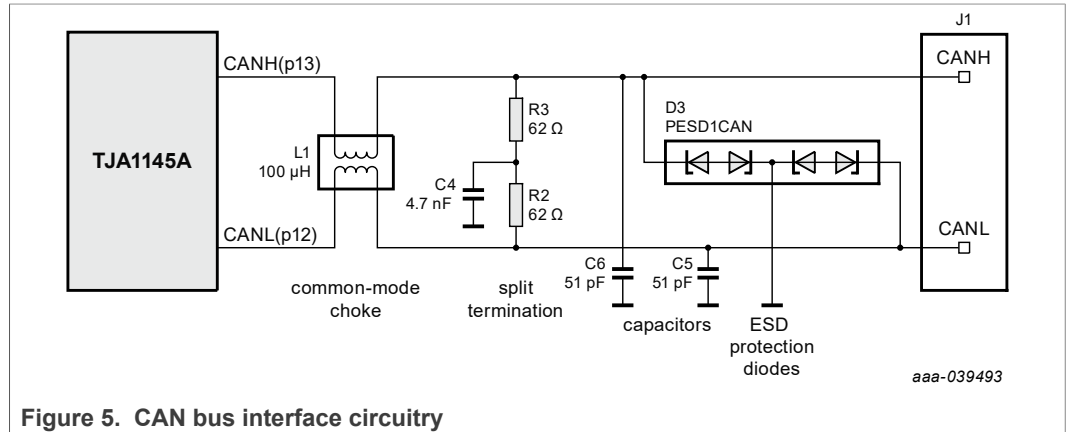


Figure 5. CAN bus interface circuitry

## 2.4 Wake-up and INH functionality

The TJA1145A supports a Sleep mode for use in energy-sensitive applications. Once in Sleep mode, the device will remain in this low-power mode until a wake-up request is received. A wake-up event can be triggered remotely via a standard pattern or dedicated wake-up frame on the CAN bus, or locally via the WAKE pin (details of wake-up functionality can be found in the TJA1145A data sheet and application hints; see [Section 6](#)).

Table 5. TJA1145A/TJA1145A-EVB pins

TJA1145A	TJA1145A-EVB
WAKE (pin 9)	J3-11: connect to wake-up signal
INH (pin 7)	J3-10: connect to control input signal from external regulator(s)

The TJA1145A-EVB evaluation board features local wake-up test circuitry. The WAKE pin is pulled HIGH by default via 10 kΩ resistors R6 and R7. When switch SW1 is pressed, the WAKE pin is pulled LOW. To make use of this feature, falling-edge detection on the WAKE pin must be enabled in the TJA1145A register map (as described in the TJA1145A data sheet).

Pin INH is typically used to control the supply to the MCU and peripherals. In Normal and Standby modes, the level on this pin is equivalent to the voltage on pin BAT. Pin INH is pulled LOW via resistor R8 when the TJA1145A switches to Sleep mode. The MCU can detect when the device is in Sleep mode by monitoring the voltage on this pin.

The WAKE and INH pins are accessible via connector J3 on the top of the board.

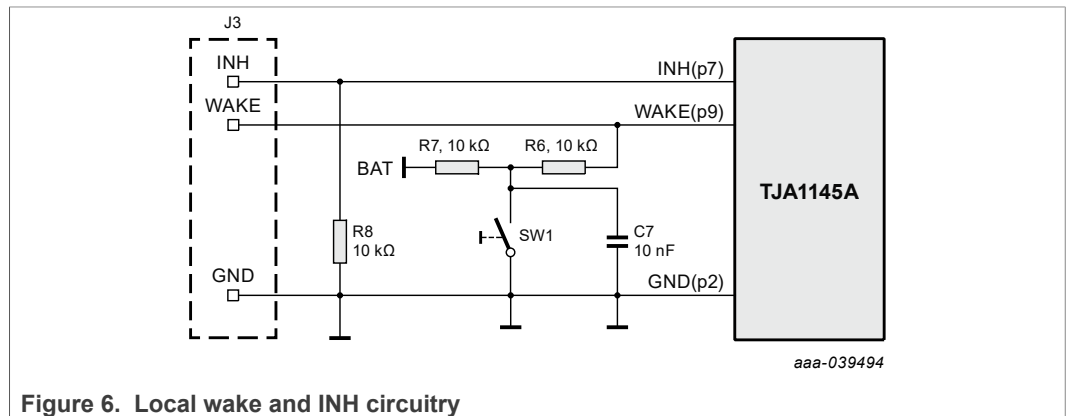


Figure 6. Local wake and INH circuitry

## 2.5 MCU interface

The digital interface pins are located on the top side connector J3 (J3-01 to J3-06), as well as on the bottom side connector J4. Two of these pins, TXD and RXD, are used for CAN data communication with the MCU. The remaining four pins are used for SPI communication with the MCU.

Table 6. TJA1145A/TJA1145A-EVB pins

TJA1145A	TJA1145A-EVB
TXD (pin 1)	J3-01 or J4-18
RXD (pin 4)	J3-02 or J4-20
SDO (pin 6)	J3-03 or J4-09
SDI (pin 11)	J3-04 or J4-07
SCK (pin 8)	J3-05 or J4-11
SCSN (pin 14)	J3-06 or J4-05

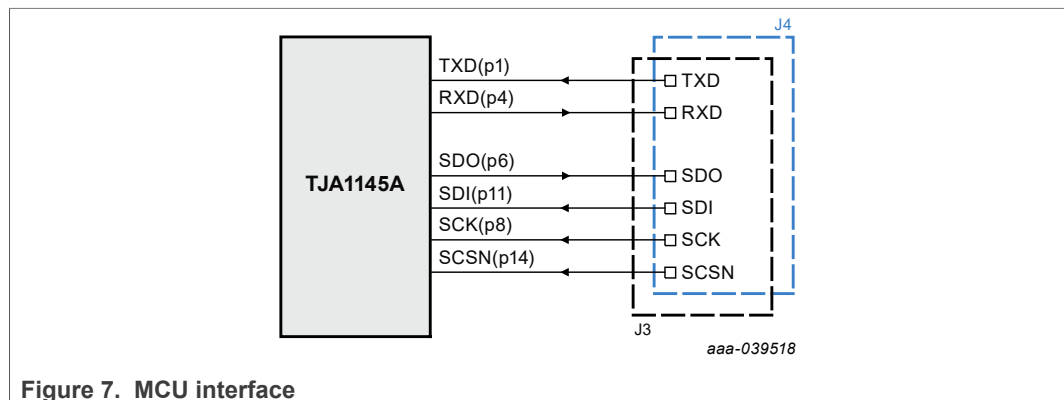


Figure 7. MCU interface



## 2.6 TJA1145A-EVB to TJA1145A pin summary

Table 7. Overview of TJA1145A-EVB to TJA1145A cross-link

TJA1145A-EVB evaluation board			TJA1145A		
Header name	EVB pin #: top	EVB pin #: bottom	Test pad #:	Pin #	Pin name
CAN H <sup>[1]</sup>	J1-01	-	TP12	13	CANH
CAN L <sup>[1]</sup>	J1-02	-	TP13	12	CANL
TXD	J3-01	J4-18	TP4	1	TXD
RXD	J3-02	J4-20	TP5	4	RXD
SDO	J3-03	J4-09	TP11	6	SDO
SDI	J3-04	J4-07	TP7	11	SDI
SCK	J3-05	J4-11	TP9	8	SCK
SCS	J3-06	J4-05	TP6	14	SCSN
GND	J3-07/12, J2-02, J6-02/03	J4-13, J5-11/13	TP1, TP2	2	GND
VCC	J3-08	J5-09	TP15	3	VCC
VIO	J3-09	J5-03	TP14	5	VIO
INH	J3-10	-	TP10	7	INH
WAKE	J3-11	-	TP8	9	WAKE
-	-	-	TP3	10	BAT
12 V	J2-01, J6-01, J8-02	-	-	-	-
VIN	J8-01	J5-01/15	-	-	-

[1] Common mode choke L1 connects TJA1145A pins CANH/CANL to header pins CAN H/CAN L.

### 3 Connecting the TJA1145A-EVB to a CAN network

An example of how to connect the TJA1145A-EVB between an MCU and the CAN bus is shown in [Figure 8](#).

The following conditions must be met before powering up the system with a 12 V supply:

- Connect all boards in the ECU to a common GND
- Connect SPI pins to the MCU SPI master:
  - SDI → MOSI
  - SDO → MISO
  - SCK → SCK
  - SCSN → CS
- Connect TXD/RXD pins to the MCU CAN controller TXD/RXD pins
- Connect CANH and CANL to the CAN bus twisted-pair cables
- Connect VCC and VIO to the MCU supply unit; VIO shares the MCU IO supply
- Connect pin INH to the control/enable pin on the ECU supply unit (optional)

Once the above steps have been completed, the ECU/EVB can be powered up using an external battery supply. The TJA1145A starts up in Standby mode, awaiting commands from the MCU via the SPI interface.

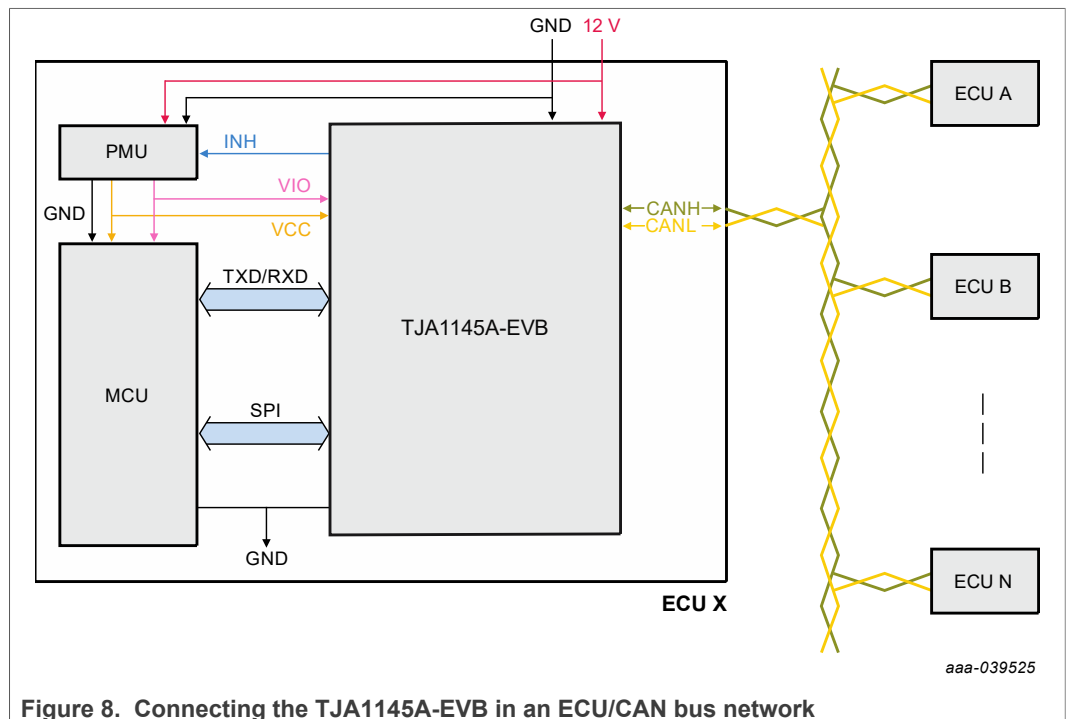
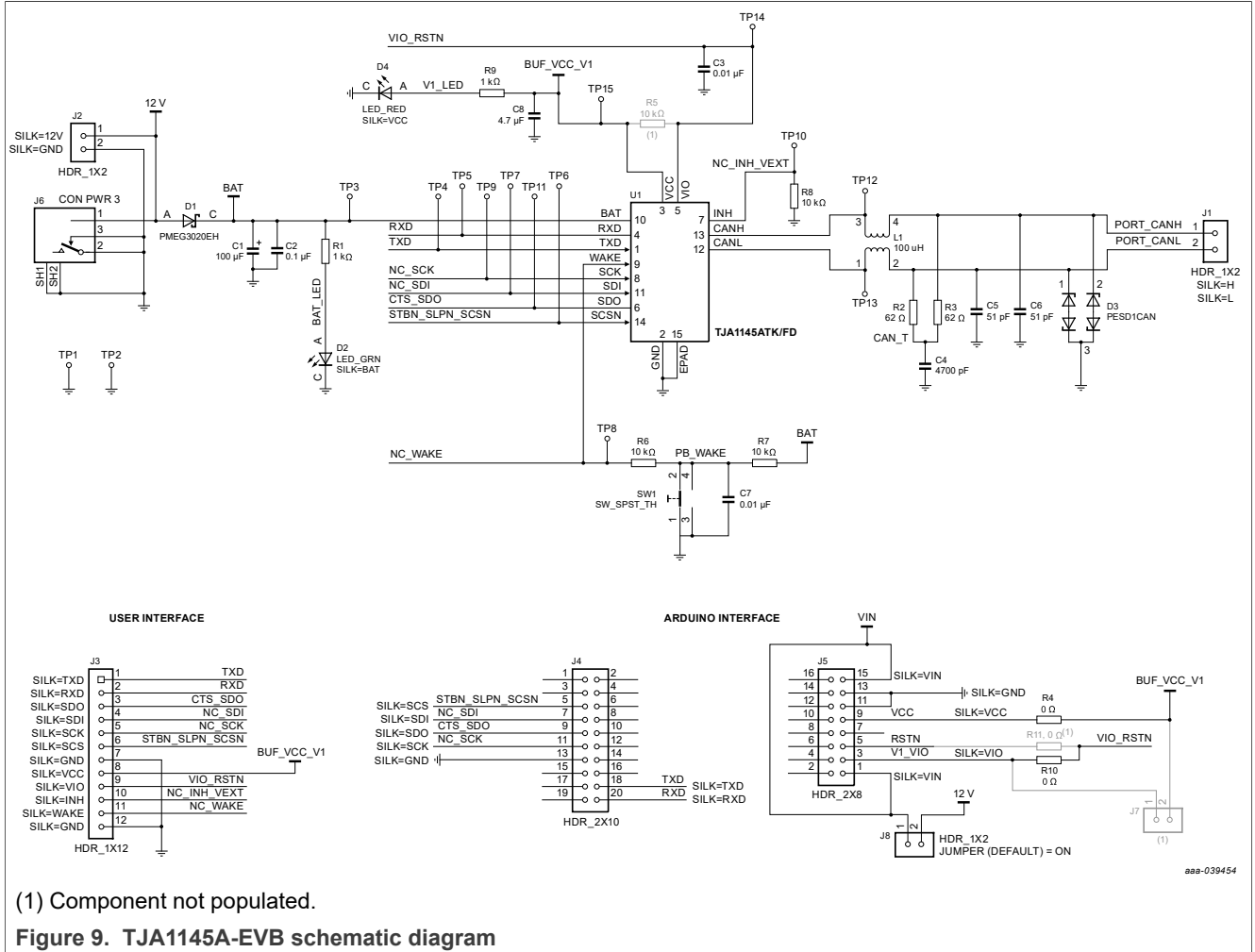


Figure 8. Connecting the TJA1145A-EVB in an ECU/CAN bus network

### 4 Schematic diagram



## 5 Bill of Materials

**Table 8. Bill of Materials**

NXP does not assume liability, endorse, or warrant components from external manufacturers referenced in circuit drawings or tables. While NXP offers component recommendations in this configuration, it is the responsibility of the customer to validate their application.

For critical components, it is vital to use the manufacturer listed.

Item number	Quantity	Schematic label	Value	Description	Part number	Manufacturer name
Active components						
1	1	U1	TJA1145ATK/FD	IC XCVR CAN FD 4.5-5.5 V 5 Mbit/s AEC-Q100 HVSON14	TJA1145ATK/FD	NXP SEMICONDUCTORS
Capacitors						
3	1	C1	100 µF	CAP ALEL 100 µF 25 V 20 % – SMT	UWX1E101MCL1GB	NICHICON
5	1	C2	0.1 µF	CAP CER 0.1 µF 25 V 10 % X7R AEC-Q200 0603	CGA3E2X7R1E104K080AA	TDK
4	2	C3, C7	0.1 µF	CAP CER 0.01 µF 50 V 10 % X7R AEC-Q200 0603	CGA3E2X7R1H103K080AA	TDK
7	1	C4	4700 pF	CAP CER 4700 pF 50 V 5 % C0G AEC-Q200 0603	CGA3E2C0G1H472J080AA	TDK
2	2	C5, C6	51 pF	CAP CER 51 pF 50 V 5 % C0G 0603	CC0603JRNPO9BN510	YAGEO
6	1	C8	4.7 µF	CAP CER 4.7 µF 16 V 10 % X5R 0603	GRM188R61C475KE11D	MURATA
Diodes						
8	1	D1	SCH/30 V	DIODE SCH PWR RECT 2A 30 V AEC-Q101 SOD123F	PMEG3020EH,115	NEXPERIA
9	1	D2	LED/GRN	LED BRIGHT GRN SGL 30 mA 0603	150060VS75000	WURTH ELEKTRONIK EISOS GMBH & CO. KG
10	1	D3	ESD Prot./24 V	DIODE BIDIR CAN BUS ESD PROTECTION 200 W 24 V AEC-Q101 SOT23	PESD1CAN,215	NEXPERIA
11	1	D4	LED/RED	LED BRIGHT RED CLEAR SGL 2 V 20 mA SMT 0603	150060RS75000	WURTH ELEKTRONIK EISOS GMBH & CO. KG
Inductors						
12	1	L1	100 µH	IND CHK 100 µH 150 mA -30/+50 % AEC-Q200 1812	B82789C0104N002 <sup>[1]</sup>	EPCOS
Resistors						
13	2	R1, R9	1 kΩ	RES MF 1 kΩ 1/10 W 5 % AEC-Q200 0603	CRCW06031K00JNEA ERJ-3GEYJ103V RK73B1JTTD102J	VISHAY INTERTECHNOLOGY (preferred) PANASONIC (alternative) KOA SPEER (alternative)
14	2	R2, R3	62 Ω	RES MF 62 Ω 1/4W 5 % AEC-Q200 1206	CRCW120662R0JNEA	VISHAY INTERTECHNOLOGY
15	2	R4, R10	0 Ω	RES MF ZERO Ω 1/10 W – AEC-Q200 0603	ERJ-3GEY0R00V CRCW06030000Z0EA	PANASONIC (preferred) VISHAY INTERTECHNOLOGY (alternative)
16	1	R5	not populated			
17	3	R6, R7, R8	10 kΩ	RES MF 10 kΩ 1/10 W 5 % AEC-Q200 0603	ERJ-3GEYJ103V RK73B1JTTD103J	PANASONIC (preferred) KOA SPEER (alternative)
18	1	R11	not populated			
Switches, Connectors, Jumpers, and Test Points						
19	1	J1	HDR_1X2	HDR 1X2 TH 200 MIL SP 338H SN 100L	TSW-202-07-T-S	SAMTEC
20	2	J2, J8	HDR_1X2	HDR 1X2 TH 100 MIL SP 338H SN 100L	TSW-102-07-T-S	SAMTEC
21	1	J3	HDR_1x12	HDR 1X12 TH 100 MIL SP 344H AU 118L	6130121112	WURTH ELEKTRONIK EISOS GMBH & CO. KG
22	1	J4	HDR_2X10	HDR 2X10 TH 100 MIL CTR 428H AU 110L	TSW-110-14-G-D	SAMTEC
23	1	J5	HDR_2X8	HDR 2X8 TH 100 MIL CTR 433H AU 110L	TSW-108-14-G-D	SAMTEC
24	1	J6	CON 3	CON 3 PWR JACK RA TH 295H – NI 98L	PJ-051A	CUI INC
25	1	J7	not populated			
26	1	SW1	SPST_SWITCH	SW SPST PB TACT 50MA 12 V TH	430186070716	WURTH ELEKTRONIK EISOS GMBH & CO. KG
27	2	TP1, TP2	TEST_040	TEST POINT BLACK 40 MIL DRILL 180 MIL TH 109L	5001 TP-105-01-00 151-203-RC	KEystone ELECTRONICS (preferred) COMPONENTS CORPORATION (alternative) KOBICONN (alternative)
28	13	TP3 to TP15	TPAD_059	TEST POINT PAD 59 MIL DIA SMT, NO PART TO ORDER	-	-

[1] NXP used the ACT45B-101-2P from TDK for the latest TJA1145A EMC test report.

## 6 References

---

- [1] **TJA1145A** data sheet — High-speed CAN transceiver for partial networking  
<http://www.nxp.com/TJA1145A>
- [2] **AH1903 Application Hints** — High-speed CAN transceiver for partial networking TJA1145A, available from NXP Semiconductors

## 7 Revision history

---

### Revision history

Rev	Date	Description
v.1	20201104	Initial version

## 8 Legal information

### 8.1 Definitions

**Draft** — A draft status on a document indicates that the content is still under internal review and subject to formal approval, which may result in modifications or additions. NXP Semiconductors does not give any representations or warranties as to the accuracy or completeness of information included in a draft version of a document and shall have no liability for the consequences of use of such information.

### 8.2 Disclaimers

**Limited warranty and liability** — Information in this document is believed to be accurate and reliable. However, NXP Semiconductors does not give any representations or warranties, expressed or implied, as to the accuracy or completeness of such information and shall have no liability for the consequences of use of such information. NXP Semiconductors takes no responsibility for the content in this document if provided by an information source outside of NXP Semiconductors. In no event shall NXP Semiconductors be liable for any indirect, incidental, punitive, special or consequential damages (including - without limitation - lost profits, lost savings, business interruption, costs related to the removal or replacement of any products or rework charges) whether or not such damages are based on tort (including negligence), warranty, breach of contract or any other legal theory. Notwithstanding any damages that customer might incur for any reason whatsoever, NXP Semiconductors' aggregate and cumulative liability towards customer for the products described herein shall be limited in accordance with the Terms and conditions of commercial sale of NXP Semiconductors.

**Right to make changes** — NXP Semiconductors reserves the right to make changes to information published in this document, including without limitation specifications and product descriptions, at any time and without notice. This document supersedes and replaces all information supplied prior to the publication hereof.

**Applications** — Applications that are described herein for any of these products are for illustrative purposes only. NXP Semiconductors makes no representation or warranty that such applications will be suitable for the specified use without further testing or modification. Customers are responsible for the design and operation of their applications and products using NXP Semiconductors products, and NXP Semiconductors accepts no liability for any assistance with applications or customer product design. It is customer's sole responsibility to determine whether the NXP Semiconductors product is suitable and fit for the customer's applications and products planned, as well as for the planned application and use of customer's third party customer(s). Customers should provide appropriate design and operating safeguards to minimize the risks associated with their applications and products. NXP Semiconductors does not accept any liability related to any default, damage, costs or problem which is based on any weakness or default in the customer's applications or products, or the application or use by customer's third party customer(s). Customer is responsible for doing all necessary testing for the customer's applications and products using NXP Semiconductors products in order to avoid a default of the applications and the products or of the application or use by customer's third party customer(s). NXP does not accept any liability in this respect.

**Suitability for use in automotive applications** — This NXP Semiconductors product has been qualified for use in automotive applications. Unless otherwise agreed in writing, the product is not designed, authorized or warranted to be suitable for use in life support, life-critical or

safety-critical systems or equipment, nor in applications where failure or malfunction of an NXP Semiconductors product can reasonably be expected to result in personal injury, death or severe property or environmental damage. NXP Semiconductors and its suppliers accept no liability for inclusion and/or use of NXP Semiconductors products in such equipment or applications and therefore such inclusion and/or use is at the customer's own risk.

**Export control** — This document as well as the item(s) described herein may be subject to export control regulations. Export might require a prior authorization from competent authorities.

**Evaluation products** — This product is provided on an "as is" and "with all faults" basis for evaluation purposes only. NXP Semiconductors, its affiliates and their suppliers expressly disclaim all warranties, whether express, implied or statutory, including but not limited to the implied warranties of non-infringement, merchantability and fitness for a particular purpose. The entire risk as to the quality, or arising out of the use or performance, of this product remains with customer. In no event shall NXP Semiconductors, its affiliates or their suppliers be liable to customer for any special, indirect, consequential, punitive or incidental damages (including without limitation damages for loss of business, business interruption, loss of use, loss of data or information, and the like) arising out of the use of or inability to use the product, whether or not based on tort (including negligence), strict liability, breach of contract, breach of warranty or any other theory, even if advised of the possibility of such damages. Notwithstanding any damages that customer might incur for any reason whatsoever (including without limitation, all damages referenced above and all direct or general damages), the entire liability of NXP Semiconductors, its affiliates and their suppliers and customer's exclusive remedy for all of the foregoing shall be limited to actual damages incurred by customer based on reasonable reliance up to the greater of the amount actually paid by customer for the product or five dollars (US\$5.00). The foregoing limitations, exclusions and disclaimers shall apply to the maximum extent permitted by applicable law, even if any remedy fails of its essential purpose.

**Translations** — A non-English (translated) version of a document is for reference only. The English version shall prevail in case of any discrepancy between the translated and English versions.

**Security** — Customer understands that all NXP products may be subject to unidentified or documented vulnerabilities. Customer is responsible for the design and operation of its applications and products throughout their lifecycles to reduce the effect of these vulnerabilities on customer's applications and products. Customer's responsibility also extends to other open and/or proprietary technologies supported by NXP products for use in customer's applications. NXP accepts no liability for any vulnerability. Customer should regularly check security updates from NXP and follow up appropriately. Customer shall select products with security features that best meet rules, regulations, and standards of the intended application and make the ultimate design decisions regarding its products and is solely responsible for compliance with all legal, regulatory, and security related requirements concerning its products, regardless of any information or support that may be provided by NXP. NXP has a Product Security Incident Response Team (PSIRT) (reachable at PSIRT@nxp.com) that manages the investigation, reporting, and solution release to security vulnerabilities of NXP products.

### 8.3 Trademarks

Notice: All referenced brands, product names, service names and trademarks are the property of their respective owners.

**NXP** — wordmark and logo are trademarks of NXP B.V.

---

## Contents

---

<b>1</b>	<b>Introduction .....</b>	<b>3</b>
<b>2</b>	<b>Board overview .....</b>	<b>3</b>
2.1	Ground connections .....	4
2.2	Power supply connections .....	4
2.2.1	Battery connections .....	4
2.2.2	VCC/VIO connections .....	5
2.3	CAN communication circuitry .....	6
2.4	Wake-up and INH functionality .....	7
2.5	MCU interface .....	8
2.6	TJA1145A-EVB to TJA1145A pin summary .....	9
<b>3</b>	<b>Connecting the TJA1145A-EVB to a CAN network .....</b>	<b>10</b>
<b>4</b>	<b>Schematic diagram .....</b>	<b>11</b>
<b>5</b>	<b>Bill of Materials .....</b>	<b>12</b>
<b>6</b>	<b>References .....</b>	<b>13</b>
<b>7</b>	<b>Revision history .....</b>	<b>13</b>
<b>8</b>	<b>Legal information .....</b>	<b>14</b>

---

Please be aware that important notices concerning this document and the product(s) described herein, have been included in section 'Legal information'.

---

© NXP B.V. 2020.

All rights reserved.

For more information, please visit: <http://www.nxp.com>

For sales office addresses, please send an email to: [salesaddresses@nxp.com](mailto:salesaddresses@nxp.com)

Date of release: 4 November 2020  
Document identifier: UM11380