

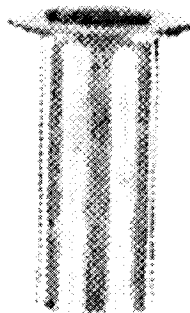
## 2mm connectors

Order code	Manufacturer code	Description
17-1042	20052	ECONOMICAL 2MM PCB SOCKET

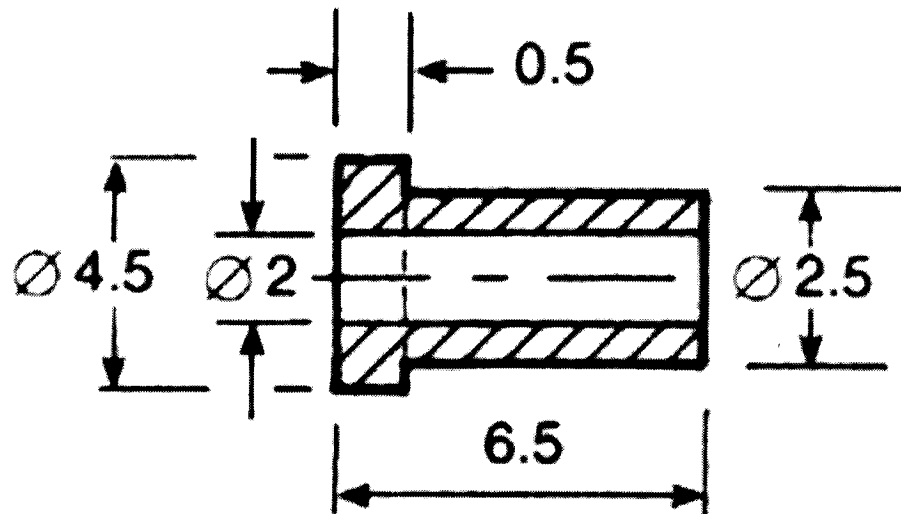
2mm connectors	Page 1 of 2
The enclosed information is believed to be correct, Information may change 'without notice' due to product improvement. Users should ensure that the product is suitable for their use. E. & O. E.	Revision A 04/07/2003

## Economical 2mm PCB Socket

### Photograph



### Technical Drawing



All dimensions are subject to a tolerance of 0.1mm

### Details

A very low cost PCB mounting socket suited to 2mm connectors. Tin plated Brass. Rated 5A