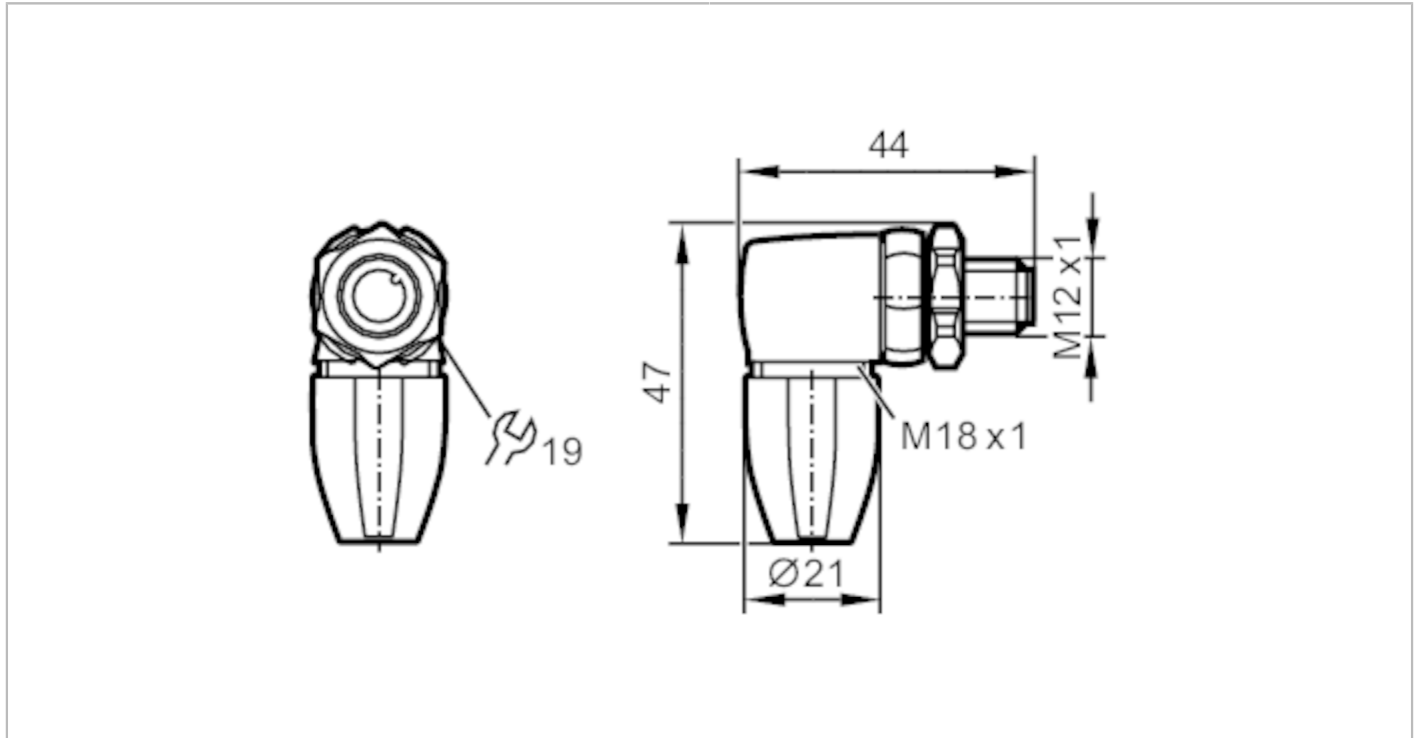


EVC813



Wirable plug

SSTA040MSSFKPG



CE

Application

Special feature	Free from silicone; Gold-plated contacts
Free from silicone	yes

Electrical data

Operating voltage [V]	< 250 AC / < 300 DC
Protection class	II
Max. current load total [A]	4; (...40 °C)

Operating conditions

Ambient temperature [°C]	-25...90
Protection	IP 65; IP 67; IP 68; IP 69K

Mechanical data

Weight [g]	33.6
Materials	Moulded body: PA 6.6 orange; Sealing: FKM green
Material nut	nickel-plated brass

Remarks

Pack quantity	1 pcs.
---------------	--------

Electrical connection

screw terminals: 0.25...1 mm²; Cable sheath: Ø 3.5...6 mm; AWG 23...17

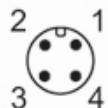
Electrical connection - plug

Connector: 1 x M12, angled; Moulded body: PA 6.6, orange; Locking: nickel-plated brass; Sealing: FKM; Contacts: gold-plated; Tightening torque: 0.6...1.2 Nm; Take into account the maximum value of the counterpart!

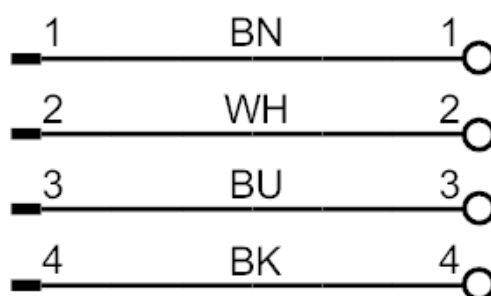
EVC813

Wirable plug

SSTA040MSSFKPG



Connection



Core colours :

BN =

brown

WH =

white

BU =

blue

BK =

black

colours to DIN EN 60947-5-2