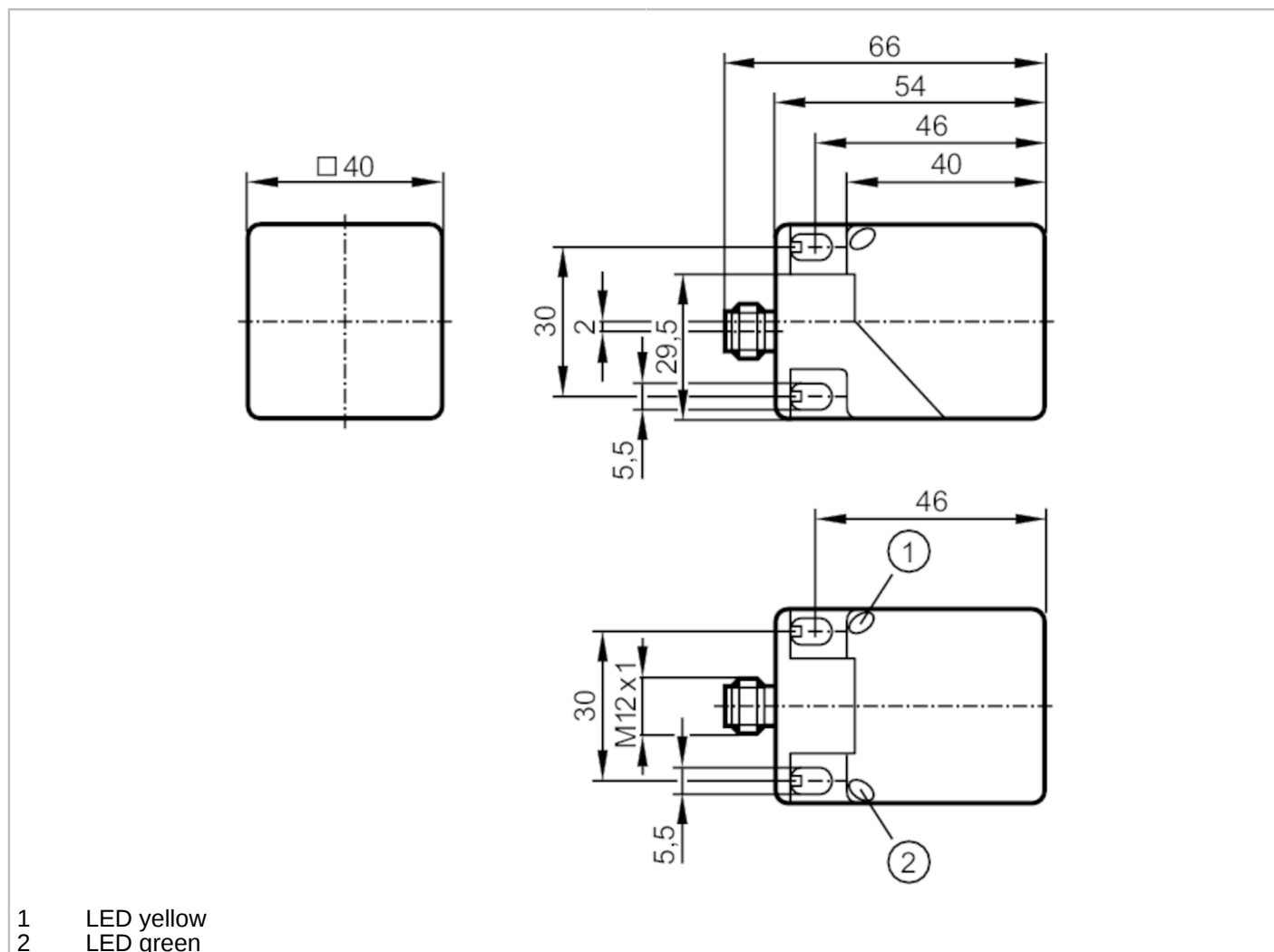


IM5124



Inductive sensor

IMC4020UCPKG/K1/SC/US-100-DPA



Product characteristics

Electrical design	PNP
Output function	complementary
Sensing range [mm]	20
Housing	rectangular
Dimensions [mm]	40 x 40 x 54

Application

Special feature	Correction factor K = 1; Magnetic-field immune; anti-spatter
Magnetic-field immune	yes

Electrical data

Operating voltage [V]	10...36 DC
Current consumption [mA]	< 20
Protection class	II
Reverse polarity protection	yes

IM5124



Inductive sensor

IMC4020UCPKG/K1/SC/US-100-DPA

Outputs		
Electrical design	PNP	
Output function	complementary	
Max. voltage drop switching output DC [V]	2.5	
Max. leakage current [mA]	0.1	
Permanent current rating of switching output DC [mA]	200	
Switching frequency DC [Hz]	200	
Short-circuit protection	yes	
Type of short-circuit protection	pulsed	
Overload protection	yes	
Detection zone		
Sensing range [mm]	20	
Real sensing range Sr [mm]	20 ± 10 %	
Operating distance [mm]	0...16.2	
Accuracy / deviations		
Correction factor	steel: 1 / stainless steel: 1 / brass: 1 / aluminium: 1 / copper: 1	
Hysteresis [% of Sr]	1...20	
Switch point drift [% of Sr]	-10...10	
Correction factor K = 1	yes	
Operating conditions		
Ambient temperature [°C]	-25...70	
Protection	IP 67	
Tests / approvals		
EMC	EN 61000-4-2 ESD	8 kV CD / 6 kV AD
	EN 61000-4-3 HF radiated	10 V/m
	EN 61000-4-4 Burst	2 kV
	EN 61000-4-5 Surge	0,5 kV line to line, Ri: 2 Ohm
	EN 61000-4-6 HF conducted	10 V
	EN 55011	class B
MTTF [years]	975	
UL approval	Ta	-25...70 °C
	Enclosure type	Type 1
	voltage supply	Class 2
	File number UL	E174191
Mechanical data		
Weight [g]	141.5	
Housing	rectangular	
Sensing face	5 positions selectable	
Mounting	flush mountable	
Dimensions [mm]	40 x 40 x 54	
Materials	housing: PA anti-spatter; plug: stainless steel	

IM5124



Inductive sensor

IMC4020UCPKG/K1/SC/US-100-DPA

Displays / operating elements

Display	switching status	1 x LED, yellow
	operation	1 x LED, green

Remarks

Pack quantity	1 pcs.
---------------	--------

Electrical connection - plug

Connector: 1 x M12; Locking: locking, rotatable



Connection

