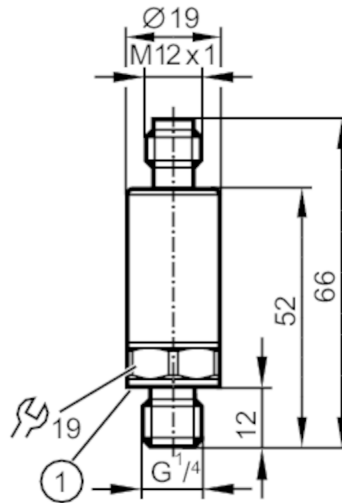


# PT5415



## Pressure transmitter

PT-006-SEG14-A-ZVG/US/ IW



1 Sealing



### Product characteristics

Output signal	analogue signal			
Measuring range	0...6 bar	0...87 psi	0...600 kPa	0...0.6 MPa
Process connection	threaded connection G 1/4 external thread (DIN EN ISO 1179-2)			

### Application

Application	for industrial applications		
Media	liquids and gases		
Medium temperature [°C]	-40...90		
Pressure rating	15 bar	215 psi	1.5 MPa
Note on pressure rating	static		
Min. bursting pressure	200 bar	2900 psi	20 MPa
Vacuum resistance [mbar]	-1000		
Type of pressure	relative pressure		

### Electrical data

Operating voltage [V]	8.5...36 DC
Min. insulation resistance [MΩ]	100; (500 V DC)
Protection class	III
Reverse polarity protection	yes

### Inputs / outputs

Number of inputs and outputs	Number of analogue outputs: 1
------------------------------	-------------------------------

# PT5415



## Pressure transmitter

PT-006-SEG14-A-ZVG/US/ IW

Outputs				
Total number of outputs	1			
Output signal	analogue signal			
Number of analogue outputs	1			
Analogue current output [mA]	4...20			
Max. load [ $\Omega$ ]	720; ( $U_b = 24 \text{ V}$ ; ( $U_b - 8,5 \text{ V}$ ) / 21,5 mA)			
Short-circuit proof	yes			
Overload protection	yes			
Measuring/setting range				
Measuring range	0...6 bar	0...87 psi	0...600 kPa	0...0.6 MPa
Accuracy / deviations				
Repeatability [% of the span]	< $\pm 0,05$ ; (with temperature fluctuations < 10 K)			
Characteristics deviation [% of the span]	< $\pm 0,5$ ; (incl. drift when overtightened, zero point and span error, non-linearity, hysteresis)			
Linearity deviation [% of the span]	< $\pm 0,1$ (BFSL) / < $\pm 0,2$ (LS)			
Hysteresis deviation [% of the span]	< $\pm 0,2$			
Long-term stability [% of the span]	< $\pm 0,1$ ; (per 6 months)			
Temperature coefficient zero point and span [% of the span / 10 K]	< 0,1 (-25...90 °C) / < 0,2 (-40...-25 °C)			
Response times				
Step response time analogue output [ms]	1			
Operating conditions				
Ambient temperature [°C]	-40...90			
Storage temperature [°C]	-40...100			
Protection	IP 67; IP 69K			
Tests / approvals				
EMC	DIN EN 61000-6-2			
	DIN EN 61000-6-3			
Shock resistance	DIN EN 60068-2-27		50 g (11 ms)	
Vibration resistance	DIN EN 60068-2-6		20 g (10...2000 Hz)	
MTTF [years]	784			
UL approval	UL Approval no.		J027	
Pressure Equipment Directive	Sound engineering practice; can be used for group 2 fluids; group 1 fluids on request			

# PT5415



## Pressure transmitter

PT-006-SEG14-A-ZVG/US/ IW

Mechanical data	
Weight [g]	58.5
Materials	1.4542 (17-4 PH / 630); stainless steel (1.4404 / 316L); PEI
Materials (wetted parts)	1.4542 (17-4 PH / 630)
Min. pressure cycles	60 million; (at 1.2 times nominal pressure)
Tightening torque [Nm]	25...35; (recommended tightening torque; depends on lubrication, seal and pressure rating)
Process connection	threaded connection G 1/4 external thread (DIN EN ISO 1179-2)
Process connection sealing	FKM (to DIN 3869)
Restrictor element integrated	no (can be retrofitted)

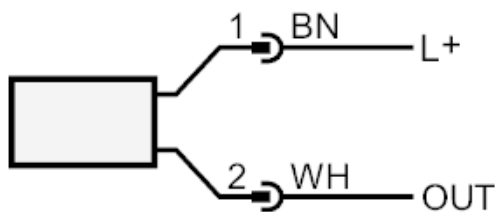
Remarks	
Remarks	BFSL = Best Fit Straight Line LS = limit value setting
Pack quantity	1 pcs.

## Electrical connection

Connector: 1 x M12



## Connection



OUT analogue output

The following pin connection is available on request: Pin 1: L+, Pin 3: OUT  
colours to DIN EN 60947-5-2

Core colours :

BN brown

WH white