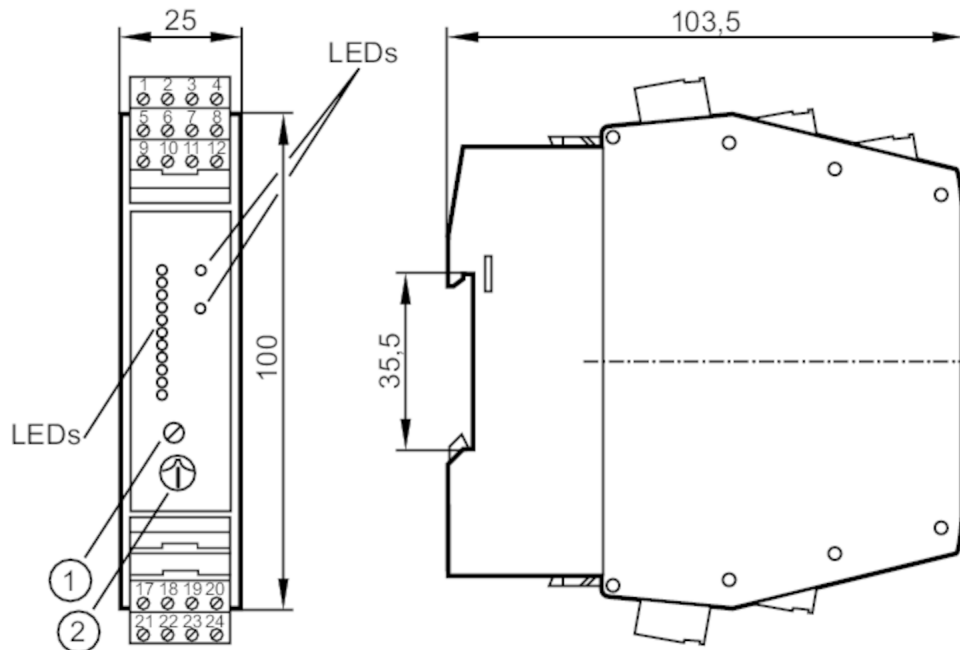


SN0151



Control monitor for flow sensors

VS3000/85...265VAC



- 1 potentiometer (switch point flow)
2 potentiometer (switch point temperature)



Application

Application Flow monitoring; Temperature monitoring; Wire monitoring

Electrical data

Frequency AC	[Hz]	47...63
Operating voltage tolerance	[%]	-5...10
Operating voltage	[V]	90...240 AC
Protection class		II
Reverse polarity protection		no
Power-on delay time	[s]	10...80; (adjustable (fixed-value resistors terminals 22-23))
Number of channels		1

Outputs

Performance in case of a fault	In case of undervoltage all relays are de-energised; the LED "LOW VOLTAGE/WIRE BREAK-RELAY" lights
Electrical design	relay
Contact rating	4 A (250 V AC / 30 V DC)
Switching function flow monitoring	relay energised when flow is present and during the power-on delay time
Switching function temperature monitoring	relay de-energised when temperature is exceeded
Switching function wire break monitoring	relay de-energised in case of wire break or short circuit
Short-circuit proof	no
Overload protection	no

SN0151



Control monitor for flow sensors

VS3000/85...265VAC

Response times		
Response time [s]	< 3	
Software / programming		
Adjustment of the switch point	potentiometer	
Selection liquids / gases	wire bridge; on delivery: monitoring of liquids.; for monitoring of gases: link terminals 23 / 24.	
Switch point setting	potentiometer	
Temperature range [°C]	0...80	
Repeatability of the set switch point [K]	4	
Operating conditions		
Ambient temperature [°C]	-20...60	
Note on ambient temperature	in case of sufficient free space for convection cooling	
Protection	IP 20	
Tests / approvals		
MTTF [years]	168	
Mechanical data		
Weight [g]	249	
Housing	housing for DIN rail mounting	
Dimensions [mm]	100 x 25 x 103.5	
Materials	PBT	
Displays / operating elements		
Display	function	11 x LED
	switching status	LED, red
	switching status	LED, red
Electrical connection		
Required protection	miniature fuse to IEC60127-2 sheet 1; ≤ 5 A; fast acting	
Remarks		
Remarks	Recommendation Check the safe functioning of the unit after a short circuit.	
Pack quantity	1 pcs.	

SN0151



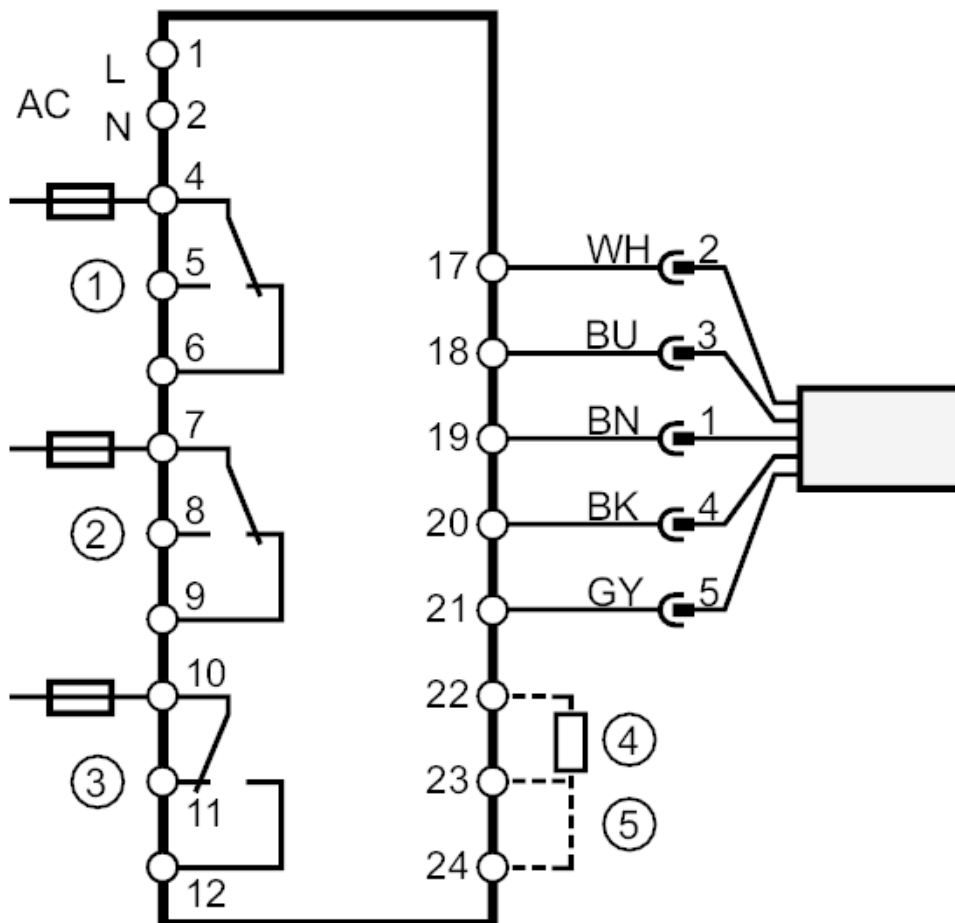
Control monitor for flow sensors

VS3000/85...265VAC

Electrical connection

COMBICON connector:

Connection



- 1 = Flow monitoring
 - 2 = Wire monitoring
 - 3 = Temperature monitoring
 - 4 = Power-on delay time
 - 5 = selection liquid/gas
- Note miniature fuse to IEC60127-2 sheet 1 ≤ 5 A fast acting

Core colours :

- BN = brown
- BU = blue
- BK = black
- WH = white
- GY = grey