

# Artix®-7 35T FPGA Arty Evaluation Kit



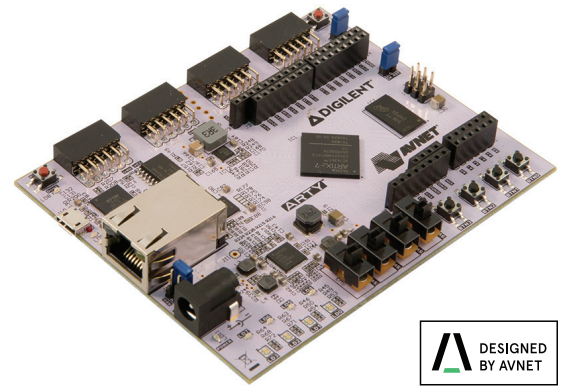
The Artix®-7 35T FPGA Arty Evaluation Kit, designed by Avnet and Digilent, is a completely customizable development kit perfect for embedded designers looking for a flexible, low-power FPGA platform. The Artix-7 35T FPGA evaluation board is a complete system, packaging all the necessary functions and interfaces needed for an embedded processor system onto a small footprint. This board is the perfect solution for designers interested in exploring the MicroBlaze soft processor or Artix-7 FPGAs in general. Experienced FPGA users will find the Artix-7 35T FPGA evaluation board a valuable tool for general purpose prototyping and testing. The included peripherals and expansion interfaces make the kit ideal for a wide variety of applications. From experimenting with Arduino shields that integrate multiple sensors to running a Linux-based web server, the Artix-7 35T FPGA evaluation board can help you validate your next design idea.

## FEATURES

### Xilinx XC7A35T-1LCSG324I

- 256 MB DDR3 SDRAM
- Arduino and ChipKit format expansion headers
- 16 MB of QSPI Flash
- 10/100 Ethernet interface
- 4 Digilent compatible Pmod™ interfaces enabling 32 user I/O pins
  - 2 Pmods routed as differential pairs
  - Paired to fit dual-wide Pmods
- USB-UART Interface
- 14 AMS inputs
  - 6 single ended
  - 4 differential
  - 4 for power monitor circuit
- 4 user RGB LEDs
- 4 user LEDs
- 4 user slide switches
- 4 user push button switches
- 100 MHz LVCMOS Oscillator (system clock)
- JTAG Programming/Configuration Port

To purchase this kit, visit [avnet.com/us/arty](http://avnet.com/us/arty)



## KIT INCLUDES

### Hardware

- Avnet Artix-7 35T Evaluation Board

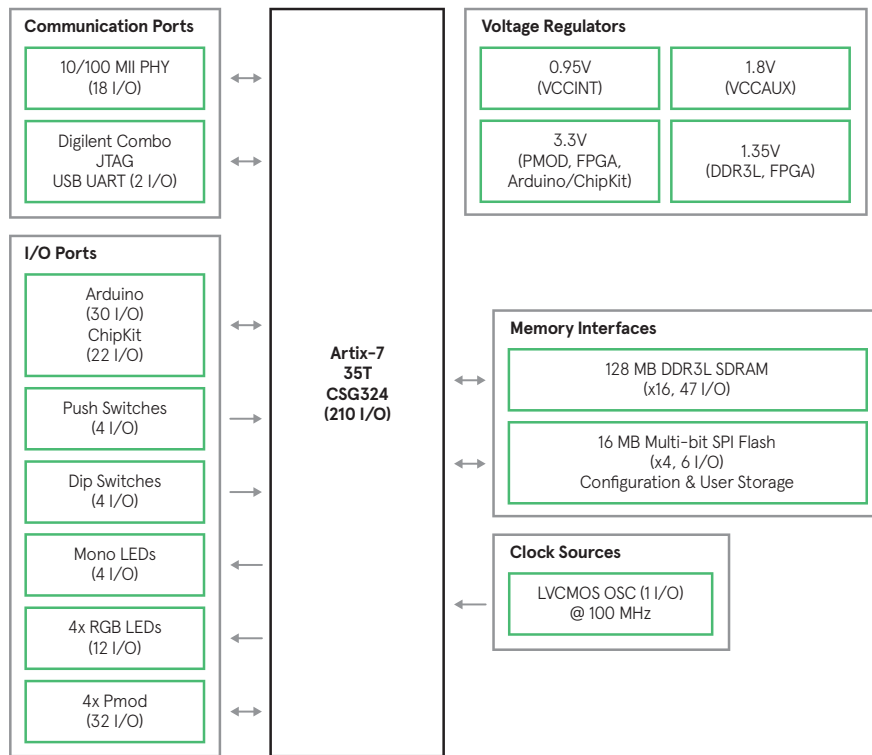
### Software

- Xilinx Vivado: Design Edition
- Device locked to XC7A35T

## TARGET APPLICATIONS

- Embedded controllers
- General-purpose prototyping
- Networking and communications
- I/O expansion
- Sensor fusion
- Arduino expansion

## BLOCK DIAGRAM



## FEATURED MANUFACTURERS



## PARTS

Part Number	Description	Resale
AES-A7MB-7A35T-G	Artix-7 35T FPGA Evaluation Kit	

Countries Available for Purchase: Americas, EMEA, Asia, Japan

## CONTACT INFORMATION

**North America**  
 2211 S 47<sup>th</sup> Street  
 Phoenix, Arizona 85034  
 United States of America  
 eval.kits@avnet.com  
 1-800-585-1602

**Europe**  
 Gruber Str. 60c  
 85586 Poing  
 Germany  
 marketing@silica.com  
 +49-8121-77702

**Japan**  
 Yebisu Garden Place Tower, 23F  
 4-20-3 Ebisu, Shibuya-ku  
 Tokyo 150-6023 Japan  
 eval-kits-jp@avnet.com  
 +81-(0)3-5792-8210

**Asia**  
 151 Lorong Chuan  
 #06-03 New Tech Park  
 Singapore 556741  
 XilinxAPAC@avnet.com  
 +65-6580-6000