

SERIES 48A Slide Switches

FEATURES

- Save Space and Weight
- SPDT and DPDT Circuitry
- Choice of Actuators and Terminations



MODELS In inches (and millimeters)

SPDT

MODEL NO.	SWITCH POSITION		
SSP1	ON	NONE	ON
SSP2	ON	NONE	(ON)
SSP3	ON	OFF	ON
TERM. COMM.	2-1	OPEN	2-3

()=MOMENTARY

02COMM.

SCHEMATIC

DPDT

MODEL NO.	SWITCH POSITION		
SDP1	ON	NONE	ON
SDP3	ON	OFF	ON
TERM. COMM.	2-1,5-4	OPEN	2-3,5-6

()=MOMENTARY

02COMM. 05COMM.

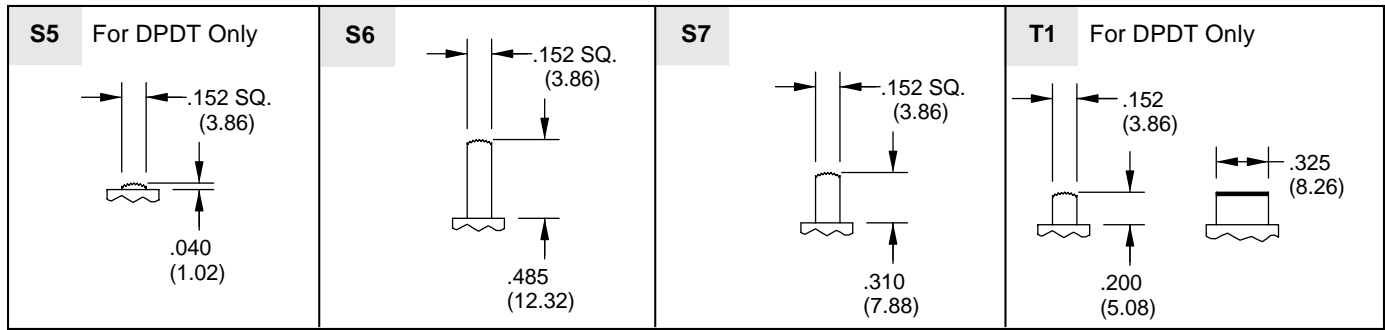
SCHEMATIC

ACTUATOR OPTIONS In inches (and millimeters)

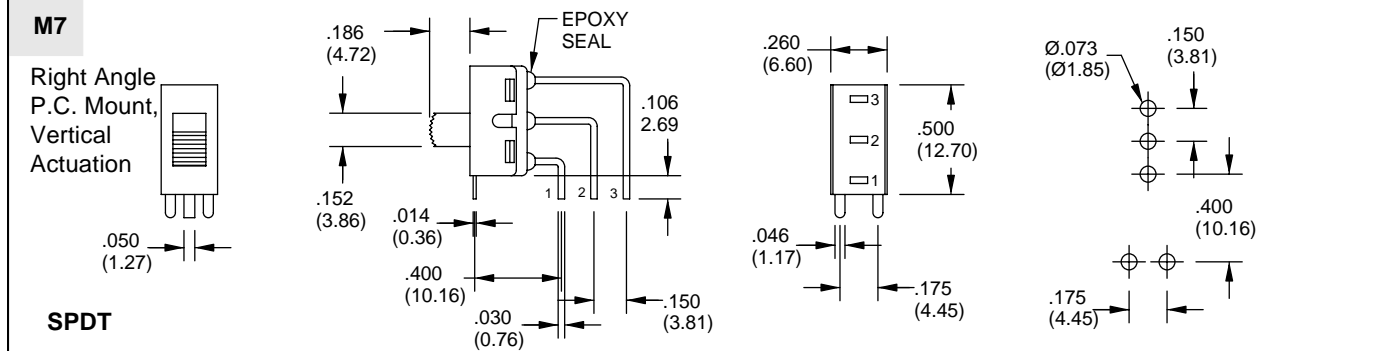
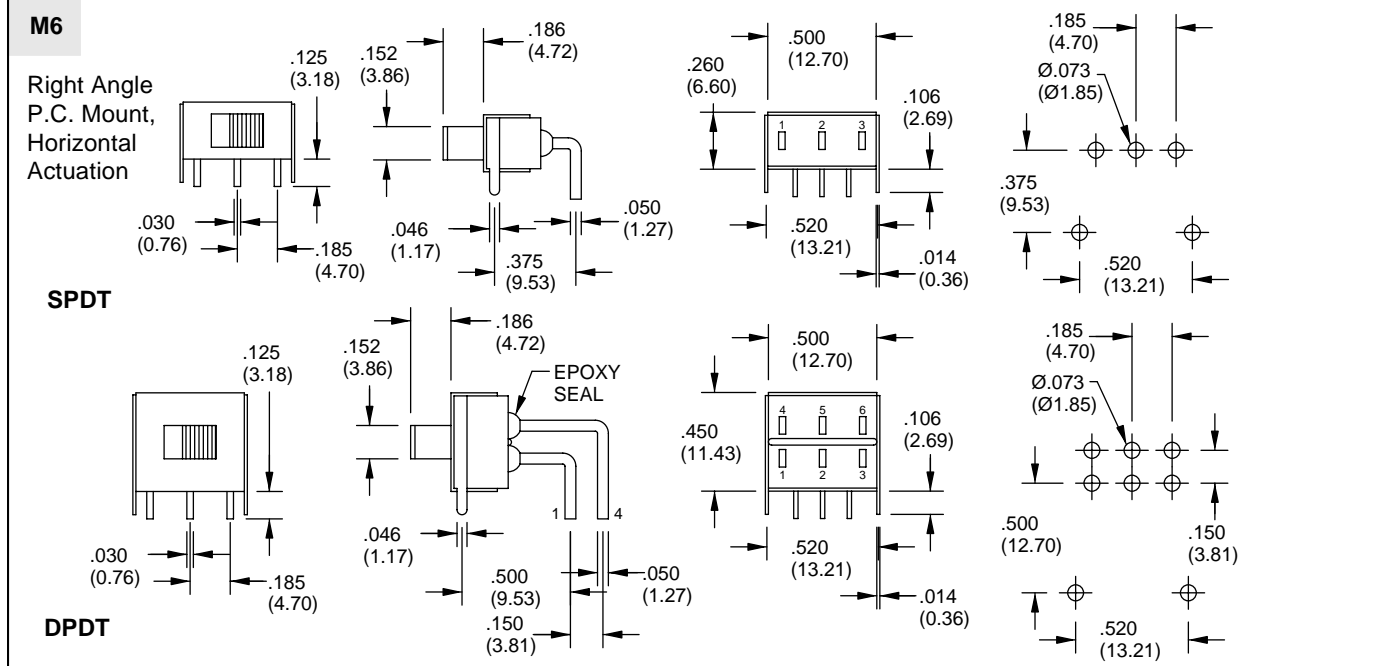
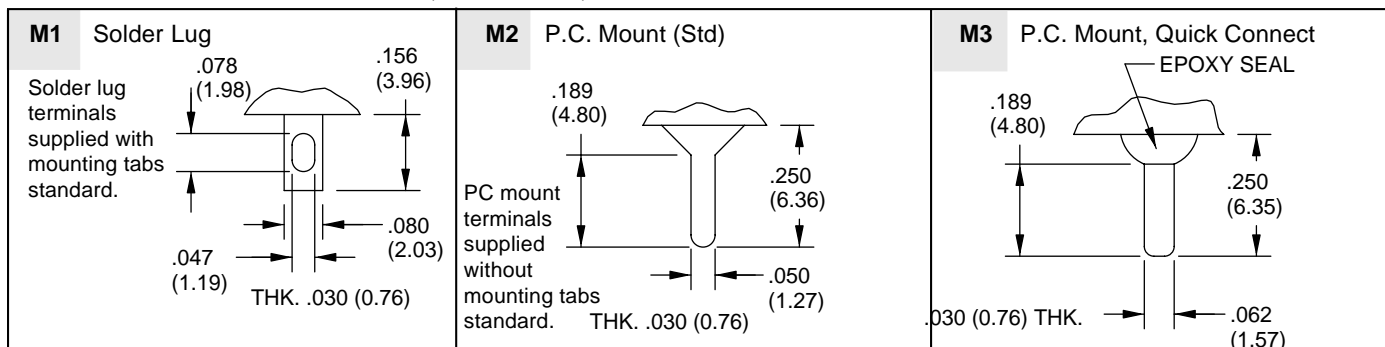
S1	S2	S3	S4
Std			
.152 SQ. (3.86)	.152 SQ. (3.86)	.152 SQ. (3.86)	.152 SQ. (3.86)
.200 (5.08)	.285 (7.24)	.370 (9.40)	.140 (3.56)

Slide Switches

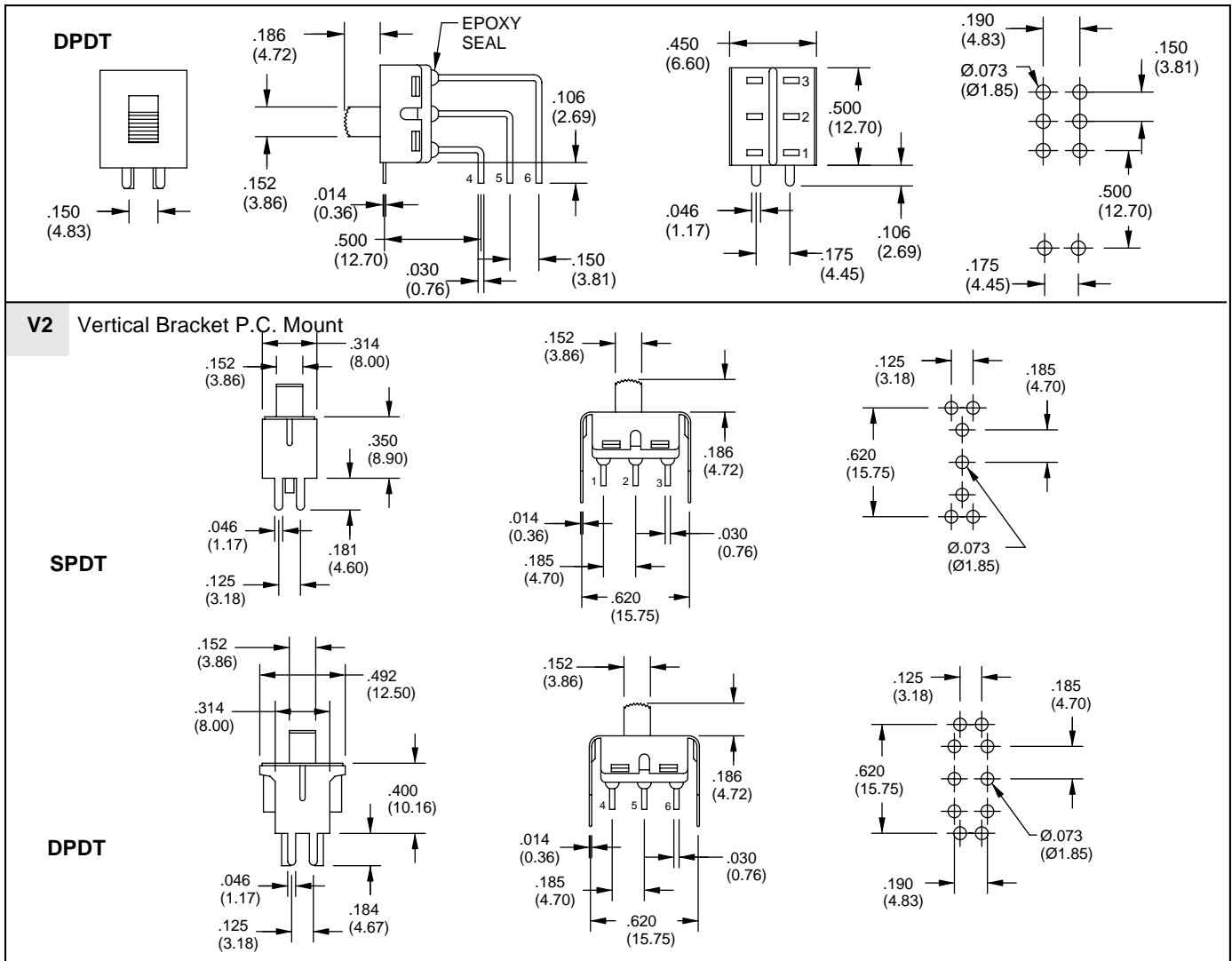
ACTUATOR OPTIONS In inches (and millimeters)



TERMINATION OPTIONS In inches (and millimeters)



TERMINATION OPTIONS In inches (and millimeters)



SPECIFICATIONS

RATINGS

Contact Rating: Q option - 5A with resistive load @ 125 VAC or 28 VDC; 2A with resistive load @ 250 VAC. R option - 0.4 VA max @ 20 Vmax (AC or DC)

Electrical Life: 30,000 cycles at full load

Contact Resistance: 10 milliohms max. initial @ 2-4 VDC, 100 mA

Insulation Resistance: 1,000 megaohms minimum

Dielectric Strength: 1,000 V RMS @ sea level

Operating Temperature: -30°C to 85°C

MATERIALS

Case: Diallyl phthalate (DAP) (UL94V-0)

Housing: Stainless steel

Slide Handle: Nylon

Terminal Seal: Epoxy

ORDERING INFORMATION

SERIES	MODEL NO.	ACTUATOR	TERMINATION	CONTACT	SEAL
48A	SSP1	S2	M6	R	E
48A = Slide Switches	Options: SSP1, SSP2, SSP3, SDP1, SDP3 (see models for switching positions)	Options: S1, S2, S3, S4, S5, S6, S7, T1 (see actuator options)	Options: M1, M2, M3, M6, M7, V2 (see termination options)	R = Copper alloy, gold plate over nickel plate. Q = Copper alloy, silver plated.	E = Epoxy seal
Example Part Number: 48ASSP1S2M6RE					

Available from your local Grayhill Component Distributor. For prices and discounts, contact a local Sales Office, an authorized local Distributor or Grayhill.

Slide Switches