

RF Adapter

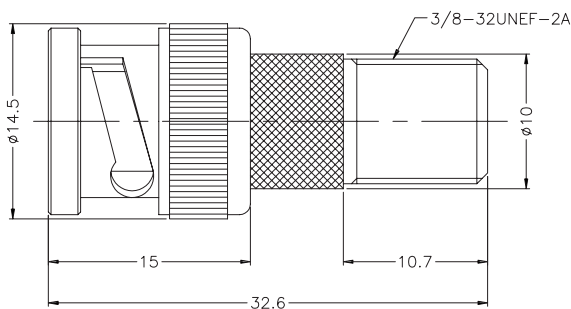
pro-SIGNAL



Specifications

Convert From Coax Type : BNC
 Convert From Gender : Plug
 Convert To Coax Type : F
 Convert To Gender : Jack
 Adapter Body Style : Straight Adapter
 Impedance : 50Ω
 Connector Type : Inter Series Coaxial

Diagram



No.	Part Name	Material	Finish	Qty.
1	Shell	Note 1	Note 2	1
2	Housing			
3	Insulator	POM	White	
4	Contact Pin	Note 3	-	
5	Insulator	POM	White	
6	Gasket	Rubber	Red	
7	Retainer Ring	Note 3	Note 2	
8	Spring	SK5		
9	Washer	Note 3		

Notes: Finish (Plating Thickness in Micro-Inches)

1. Zinc Diecast
2. Nickel PL. 100 min. Thick Over Copper PL. 50 min. Thick
3. Brass

Part Number Table

Description	Part Number
BNC-Male to F-Female Adapter - 10 Pack	27-9750

Dimensions : Millimetres

Important Notice : This data sheet and its contents (the "Information") belong to the members of the AVNET group of companies (the "Group") or are licensed to it. No licence is granted for the use of it other than for information purposes in connection with the products to which it relates. No licence of any intellectual property rights is granted. The Information is subject to change without notice and replaces all data sheets previously supplied. The Information supplied is believed to be accurate but the Group assumes no responsibility for its accuracy or completeness, any error in or omission from it or for any use made of it. Users of this data sheet should check for themselves the Information and the suitability of the products for their purpose and not make any assumptions based on information included or omitted. Liability for loss or damage resulting from any reliance on the Information or use of it (including liability resulting from negligence or where the Group was aware of the possibility of such loss or damage arising) is excluded. This will not operate to limit or restrict the Group's liability for death or personal injury resulting from its negligence. pro-SIGNAL is the registered trademark of Premier Farnell Limited 2019.

Newark.com/exclusive-brands
 Farnell.com/exclusive-brands
 Element14.com/exclusive-brands

pro-SIGNAL