

Accessories

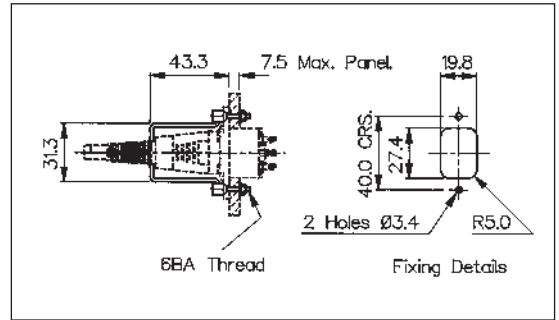
RETAINING CLIP



**KT0006**

(Shown with PX0580 & PX0587)

- Prevents Accidental Removal
- Fits flanged inlets



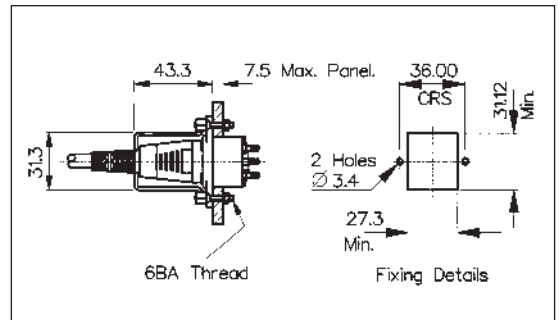
RETAINING CLIP



**KT0009**

(Shown with PF0001 & PX0587)

- Prevents Accidental Removal
- Fits fused flanged inlets



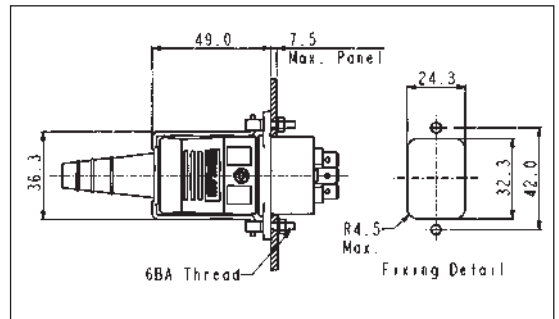
RETAINING CLIP



**KT0012**

(Shown with PX0596 & PX0599)

- Prevents Accidental Removal
- For use with PX0596 flanged inlet and PX0599 connector



Specification	KT0006	KT0009	KT0012
	Retaining Clip to prevent accidental removal of connector. Fits: PX0580 + PX0587 PX0590 + PX0597 PX0690 + PX0587 PX0675 + PX0686 PX0793 + PX0686 PX0793/1 + PX0686	Retaining Clip to prevent accidental removal of connector. Fits: PF0001 + PX0587 PF0001/PC + PX0587 PF0002 + PX0587 PF0030 + PX0587	Retaining Clip to prevent accidental removal of connector. Fits: PX0596 + PX0599
Material:	Clip: Stainless Steel, other parts Brass, Nickel Plated	Clip: Stainless Steel, other parts Brass, Nickel Plated	Clip: Stainless Steel, other parts Brass, Nickel Plated
	Compliant	Compliant	Compliant

IEC CONNECTORS