

2178710-6 ☑ SUPERSEDED

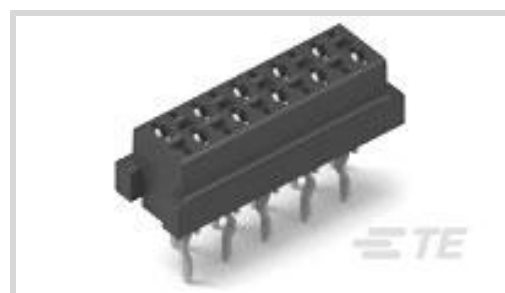
Micro-MaTch Value Line

TE Internal #: 2178710-6

TE Internal Description: 6P, FOB, THT, MICRO-MATCH VALUE LINE

FEMALE-ON-BOARD CON TOP ENTRY VALUE-LINE

[View on TE.com >](#)



All FEMALE-ON-BOARD CON TOP ENTRY VALUE-LINE (1)

Product Compliance

[For compliance documentation, visit the product page on TE.com>](#)

EU RoHS Directive 2011/65/EU	Compliant
EU ELV Directive 2000/53/EC	Compliant
China RoHS 2 Directive MIIT Order No 32, 2016	No Restricted Materials Above Threshold
EU REACH Regulation (EC) No. 1907/2006	Current ECHA Candidate List: JAN 2021 (211) Candidate List Declared Against: JUN 2020 (209) SVHC > Threshold: Not Yet Reviewed
Halogen Content	Not Low Halogen - contains Br or Cl > 900 ppm.
Solder Process Capability	Wave solder capable to 265°C

Product Compliance Disclaimer

This information is provided based on reasonable inquiry of our suppliers and represents our current actual knowledge based on the information they provided. This information is subject to change. The part numbers that TE has identified as EU RoHS compliant have a maximum concentration of 0.1% by weight in homogenous materials for lead, hexavalent chromium, mercury, PBB, PBDE, DBP, BBP, DEHP, DIBP, and 0.01% for cadmium, or qualify for an exemption to these limits as defined in the Annexes of Directive 2011/65/EU (RoHS2). Finished electrical and electronic equipment products will be CE marked as required by Directive 2011/65/EU. Components may not be CE marked. Additionally, the part numbers that TE has identified as EU ELV compliant have a maximum concentration of 0.1% by weight in homogenous materials for lead, hexavalent chromium, and mercury, and 0.01% for cadmium, or qualify for an exemption to these limits as defined in the Annexes of Directive 2000/53/EC (ELV). Regarding the REACH Regulation, the information TE provides on SVHC in articles for this part number is based on the latest European Chemicals Agency (ECHA) 'Guidance on requirements for substances in articles' posted at this URL: <https://echa.europa.eu/guidance-documents/guidance-on-reach>

Also in the Series | [Micro-MaTch Value Line](#)



Ribbon Cable Connectors(3)

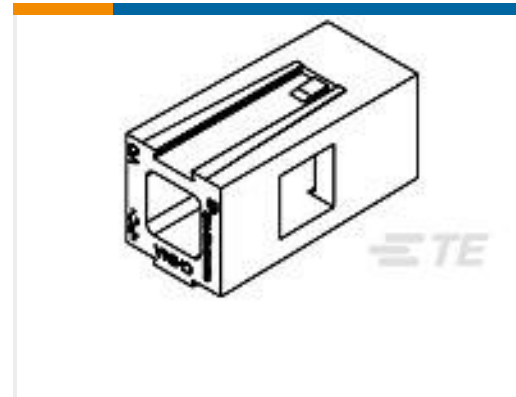
Customers Also Bought



TE Part #1-2178712-0
MALE-ON-WIRE CONNECTOR
VALUE-LINE



TE Part #1437652-1
6PCR-08-008=6 SERIES ASSEMBLY



TE Part #1445729-1
MTG BRKT, OVAL HOLE



TE Part #8-338728-6
MALE-ON-BOARD CONNECTOR



TE Part #1622440-1
LR1 1% 33K



TE Part #1622408-1
LR1 1% 27R



TE Part #1-2178710-0
FEMALE-ON-BOARD CON TOP
ENTRY VALUE-LINE



TE Part #1-1734709-5
AMP HPI 1.0MM HEADERS



TE Part #109452-4
RING TONGUE 170 18-14 AWG PTPBR

Documents

CAD Files

3D PDF

3D

Customer View Model

[ENG_CVM_CVM_2178710-6_A.2d_dxf.zip](#)

English

Customer View Model

[ENG_CVM_CVM_2178710-6_A.3d_igs.zip](#)



English

Customer View Model

[ENG_CVM_CVM_2178710-6_A.3d_stp.zip](#)

English

By downloading the CAD file I accept and agree to the [Terms and Conditions](#) of use.

Datasheets & Catalog Pages

[1-1773840-5_MICRO-MATCH-VALUE-LINE-QRG](#)

English

Product Specifications

[Product Specification](#)

English