

# R10S-E1Y4-J1.0K ✓ ACTIVE

Potter & Brumfield | Potter & Brumfield R10

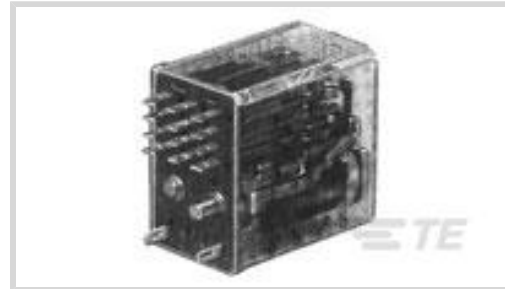
TE Internal #: 7-1393769-7

Potter & Brumfield R10, Power Relays, Industrial Panel Plug-In, Monostable, DC, 0 – 100mW Coil Power Rating Class, 45mW Coil Power Rating DC

[View on TE.com >](#)



Relays, Contactors & Switches > Relays > Power Relays



Power Relay Type: **Industrial Panel Plug-In**

Coil Magnetic System: **Monostable, DC**

Coil Power Rating Class: **0 – 100 mW**

Coil Power Rating DC: **45 mW**

Coil Resistance: **1000 Ω**

## Features

### Product Type Features

Power Relay Type	Industrial Panel Plug-In
------------------	--------------------------

### Electrical Characteristics

Insulation Initial Dielectric Between Coil & Contact Class	500 – 1000 V
Insulation Initial Dielectric Between Contacts & Coil	1000 Vrms
Actuating System	DC
Insulation Initial Dielectric Between Open Contacts	500 Vrms
Insulation Initial Dielectric Between Adjacent Contacts	1000 Vrms
Insulation Initial Resistance	10000 MΩ
Coil Magnetic System	Monostable, DC
Coil Power Rating Class	0 – 100 mW
Coil Power Rating DC	45 mW
Coil Resistance	1000 Ω
Coil Special Features	Sensitive Version
Contact Switching Load (Min)	100mA @ 12V
Contact Voltage Rating	120 VAC

### Body Features

Product Weight	40 g[1.41 oz]
----------------	---------------

### Contact Features



Contact Arrangement	4 Form C (CO)
Contact Current Class	2 – 5 A, 16 A
Contact Current Rating (Max)	3 A
Contact Material	Ag
Contact Number of Poles	4
Terminal Type	Plug-In, Solder

### Mechanical Attachment

Relay Mounting Type	Socket
---------------------	--------

### Dimensions

Length Class (Mechanical)	25 – 30 mm
Height Class (Mechanical)	30 – 40 mm
Width Class (Mechanical)	16 – 20 mm
Product Width	18.7 mm[.736 in]
Product Length	29.6 mm[1.165 in]
Product Height	30.2 mm[1.189 in]

### Usage Conditions

Environmental Ambient Temperature Class	70 – 85 °C
Environmental Ambient Temperature (Max)	75 °C[167 °F]
Operating Temperature Range	-55 – 75 °C

### Packaging Features

Packaging Method	Package
------------------	---------

### Product Compliance

[For compliance documentation, visit the product page on TE.com>](#)

EU RoHS Directive 2011/65/EU	Compliant
EU ELV Directive 2000/53/EC	Compliant
China RoHS 2 Directive MIIT Order No 32, 2016	No Restricted Materials Above Threshold
EU REACH Regulation (EC) No. 1907/2006	Current ECHA Candidate List: JAN 2021 (211) Candidate List Declared Against: JAN 2021 (211) Does not contain REACH SVHC
Halogen Content	Low Halogen - Br, Cl, F, I < 900 ppm per homogenous material. Also BFR/CFR/PVC Free

Solder Process Capability

Not applicable for solder process capability

Product Compliance Disclaimer

This information is provided based on reasonable inquiry of our suppliers and represents our current actual knowledge based on the information they provided. This information is subject to change. The part numbers that TE has identified as EU RoHS compliant have a maximum concentration of 0.1% by weight in homogenous materials for lead, hexavalent chromium, mercury, PBB, PBDE, DBP, BBP, DEHP, DIBP, and 0.01% for cadmium, or qualify for an exemption to these limits as defined in the Annexes of Directive 2011/65/EU (RoHS2). Finished electrical and electronic equipment products will be CE marked as required by Directive 2011/65/EU. Components may not be CE marked. Additionally, the part numbers that TE has identified as EU ELV compliant have a maximum concentration of 0.1% by weight in homogenous materials for lead, hexavalent chromium, and mercury, and 0.01% for cadmium, or qualify for an exemption to these limits as defined in the Annexes of Directive 2000/53/EC (ELV). Regarding the REACH Regulation, the information TE provides on SVHC in articles for this part number is based on the latest European Chemicals Agency (ECHA) 'Guidance on requirements for substances in articles' posted at this URL: <https://echa.europa.eu/guidance-documents/guidance-on-reach>

### Compatible Parts



TE Part # 1-1393143-2  
27E129=SOCKET,R10,16,PC,PHEN



TE Part # 1393143-9  
27E126=SOCKET,R10,16,SLG,PHE



TE Part # 1-1393143-5  
27E152=SOCKET,R10,ASSY,W/BRK



TE Part # 2-1393143-2  
27E194=SOCKET,R10,16,PC,PHEN



TE Part # 2-1393143-5  
27E213=SOCKET,R10,16,PC,PHEN



TE Part # 4-1393143-4  
27E461=SOCKETS



TE Part # 4-1393143-8  
27E629=SOCKETS

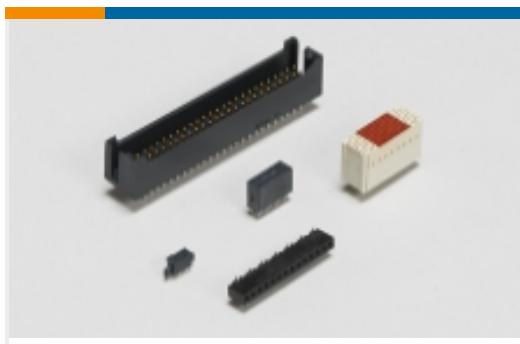


TE Part # 5-1393143-1  
27E637=SOCKETS

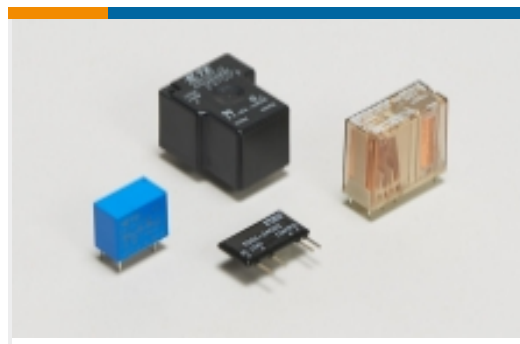


TE Part # 4-1393143-2  
27E447=SOCKETS

Also in the Series | **Potter & Brumfield R10**



Board-to-Board Headers & Receptacles(1)



Power Relays(180)

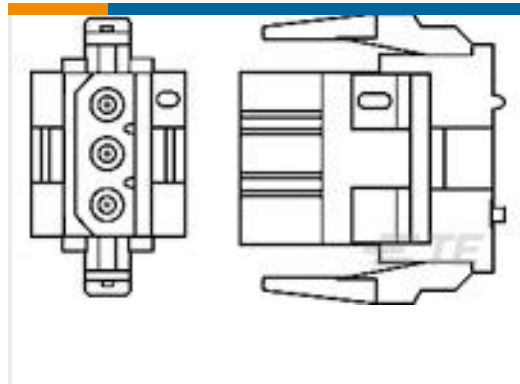


Relay Accessories, Sockets & Clips(34)

## Customers Also Bought



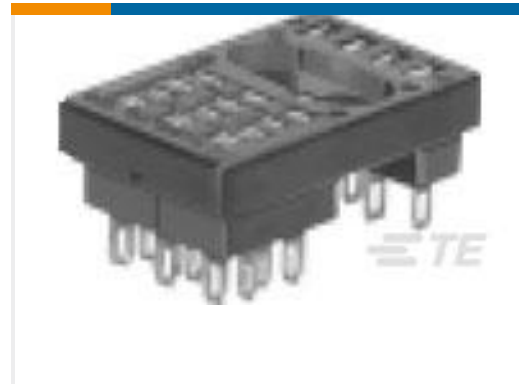
TE Part #1623781-6  
Wirewound Resistor: Vertical Mount



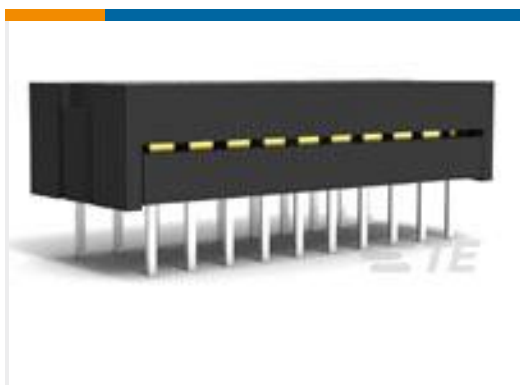
TE Part #1-640518-0  
03P MR II PLUG HSG V0 RED



TE Part #1571982-7  
TSS21NGPC04=SLIDE SWITCH DPDT



TE Part #1419111-5  
24A071=CLIP,SKT,ASSY,W/SCW



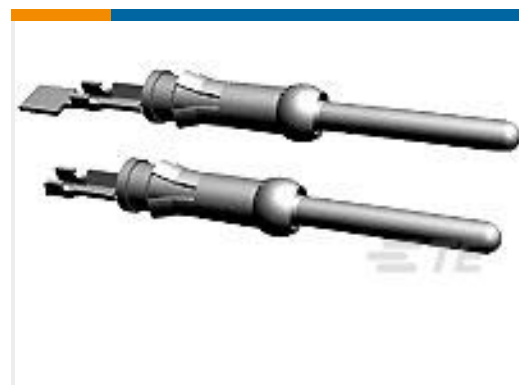
TE Part #1-746611-0  
20 DIP PLUG CONN-W/COVER



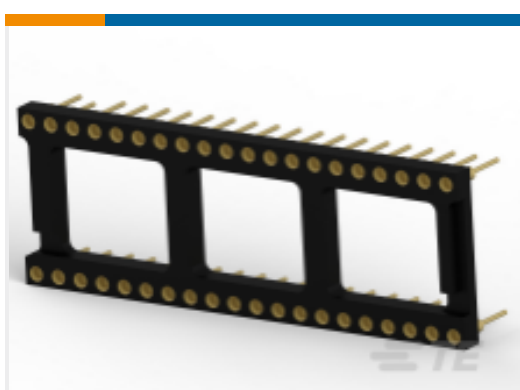
TE Part #1393143-9  
27E126=SOCKET,R10,16,SLG,PHE



TE Part #1-1879353-4  
RR02 5% 15K AMMO



TE Part #1-66103-9  
III+ PIN,24-20,TIN,SMPACK



TE Part #1437538-3  
DIP Socket: Standard, Screw Machine, Open, Gold



TE Part #91067-1  
INSERTION/EXTRACTION TOOL

## Documents

### CAD Files

[3D PDF](#)

[3D](#)

### Customer View Model

[ENG\\_CVM\\_CVM\\_7-1393769-7\\_99.2d\\_dxf.zip](#)

English

### Customer View Model

[ENG\\_CVM\\_CVM\\_7-1393769-7\\_99.3d\\_igs.zip](#)



English

### Customer View Model

[ENG\\_CVM\\_CVM\\_7-1393769-7\\_99.3d\\_stp.zip](#)

English

By downloading the CAD file I accept and agree to the [Terms and Conditions](#) of use.

---

### Datasheets & Catalog Pages

[R10 General Purpose Dry Circuit to 7.5 Amp Multicontact AC or DC Relay](#)

English

[Industrial Relays Quick Reference Guide](#)

English

[Industrial Relays Quick Reference Guide](#)

Japanese

[Industrial Relays Quick Reference Guide](#)

---

### Product Specifications

[Definitions, Handling, Processing, Testing and Use of Relays](#)

English