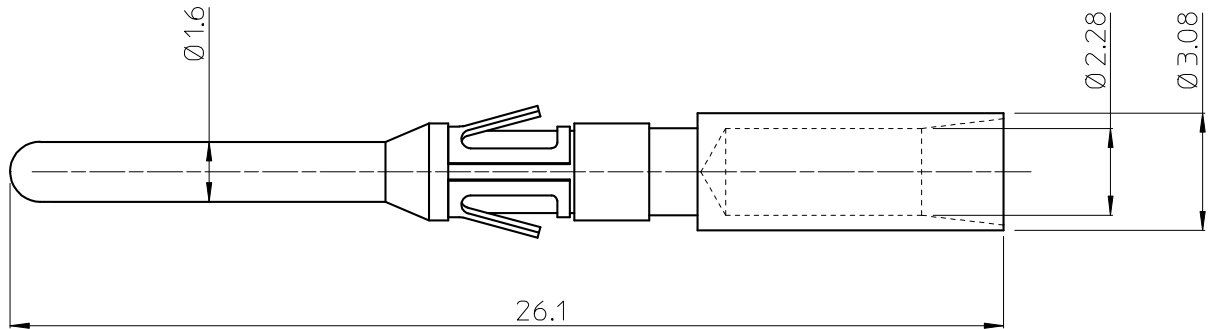


DIT IS ONZE EIGENDOM EN MAG NIET VERKOPPT, HERDRUKT, OVERGEGEEN, OVERGEGEEN AAN DERDEN, NOCH VOOR FABRIKATIE GEBRUIKT WORDEN, ZONDER ONZE SCHRIFTELIJKE TOELATING. BIJ NIET GEBRUIK IS DE TERUGZENDING VERPLICHT.

THIS IS OUR EXCLUSIVE PROPERTY. IT IS NOT TO BE COPIED, REPRINTED OR DISCLOSED TO A THIRD PARTY, NOR USED FOR MANUFACTURING WITHOUT OUR WRITTEN CONSENT, AND HAS TO BE RETURNED TO US IN CASE OF NO USAGE

REV.	DATE	DESCRIPTION	BY	C'K'D'
01	03/06/97	CRIMP TOOL ADDED	K.N.	
02	04/15/03	ADD WIRE SIZE INFORMATION	R.Ch	
03	05/05/09	ADD D28 PROTECTION	R.Ch	



PERFORMANCE CHARACTERISTICS

- CURRENT RATING : 13 A MAX.
- CONTACT RESISTANCE :  $\leq 3$  m Ohm
- CONTACT RETENTION IN INSERT : 110 N MIN.

CONTACTS SUITABLE FOR :

- MS-M
- UT-BANTAM
- UTP-BANTAM
- METALOK BANTAM
- SMS QIKMATE

EXTRACTION TOOL : RX20-25GE1  
 CRIMP TOOL : AF8 TOOL WITH LOCATOR TP1142 ( SELECTOR 8 )  
 WIRE SIZE : AWG 16-14  
 1.50 - 2.50 mm<sup>2</sup>

MATERIAL

- CONTACT BODY :  
 MATERIAL : BRASS  
 \*PLATING : D28 : 0.75  $\mu$  MIN. GOLD ALL-OVER, OVER 2  $\mu$  NICKEL MIN. ALL-OVER  
 K : 0.4  $\mu$  MIN. GOLD ALL-OVER, OVER 2  $\mu$  NICKEL MIN. ALL-OVER  
 J : GOLD FLASH ALL-OVER, OVER 2  $\mu$  NICKEL MIN. ALL-OVER  
 T : 5  $\mu$  TIN ALL-OVER, OVER 2  $\mu$  NICKEL MIN. ALL-OVER
- RETAINING SPRING :  
 MATERIAL : BERYLLIUM COPPER

BS, A , 202059 , 001 , 03

GEN. ST.	01	02	03	04	05	06	07	08	0D	50	60	70	80	90																	
INT. ST.	10	11	12	13	14	18	20	31	32	33	34	38	39	40	42	43	44	45	46	48	56	70	72	73	75	76	81	82	83	84	88
1DEC $\pm 0,2$ 1DEC		<b>APPR.</b>		<b>DATE</b>		<b>SIGN.</b>		MS HYFEN MALE CRIMP CONTACT-AWG14																							
2DEC $\pm 0,1$ 2DEC		DRAFT		20-11-95		K.NIETVELT		<b>CAT. No.</b> RM14M30*																							
ANGLES $\pm 1^\circ$ HOEKEN		CHECKED						SOURIAU Route Nationale 23 72470 CHAMPAGNE												SCALE											
WE RESERVE THE RIGHT TO CHANGE DIMENSIONS OR REQUIREMENTS WITHOUT PRIOR NOTICE.		PR.D. MGR.						BS, A , 202059 , 001 , 03 DRAWING NR. CUSTOMER DRAWING																							
ALL DIMENSIONS IN MM		PR.ENG. MGR.																													
ALLE AFMETINGEN IN MM		<b>REFERENCES / REFERENTIES</b>																NOT EXPORT CONTROLLED													
		BS, A, 200014, 001 EPM 187 BP, D, 202020, 001																													