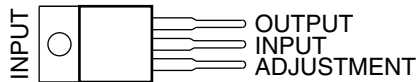


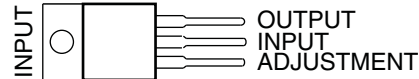
FEATURES

- Output Voltage Range Adjustable From -1.2 V to -37 V
- Output Current Capability of 1.5 A Max
- Input Regulation Typically 0.01% Per Input-Voltage Change
- Output Regulation Typically 0.3%
- Peak Output Current Constant Over Temperature Range of Regulator
- Ripple Rejection Typically 77 dB
- Direct Replacement for Industry-Standard LM237 and LM337

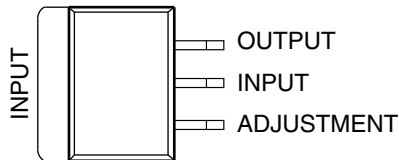
LM237, LM337...KC (TO-220) PACKAGE
(TOP VIEW)



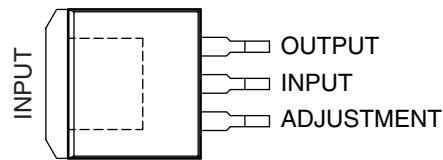
LM337...KCS (TO-220) PACKAGE
(TOP VIEW)



LM337...KTE, KTP, OR KVU PACKAGE
(TOP VIEW)



LM337...KTT (TO-263) PACKAGE
(TOP VIEW)



DESCRIPTION/ORDERING INFORMATION

The LM237 and LM337 are adjustable 3-terminal negative-voltage regulators capable of supplying in excess of -1.5 A over an output voltage range of -1.2 V to -37 V . They are exceptionally easy to use, requiring only two external resistors to set the output voltage and one output capacitor for frequency compensation. The current design has been optimized for excellent regulation and low thermal transients. In addition, the LM237 and LM337 feature internal current limiting, thermal shutdown, and safe-area compensation, making them virtually immune to failure by overloads.

The LM237 and LM337 serve a wide variety of applications, including local on-card regulation, programmable output-voltage regulation, and precision current regulation.

ORDERING INFORMATION

T_J	PACKAGE ⁽¹⁾		ORDERABLE PART NUMBER	TOP-SIDE MARKING
-25°C to 150°C	TO-220 – KC	Tube of 50	LM237KC	LM237
0°C to 125°C	PowerFLEX™ – KTE	Reel of 2000	LM337KTER	LM337
	PowerFLEX – KTP	Reel of 3000	LM337KTTPR	L337
	TO-220 – KC	Tube of 50	LM337KC	LM337
	TO-220 – KCS	Tube of 50	LM337KCSSE3	LM337
	TO-252 – KVU	Reel of 2500	LM337KVURG3	LM337
	TO-263 – KTT	Reel of 500	LM337KTTR	LM337

(1) Package drawings, standard packing quantities, thermal data, symbolization, and PCB design guidelines are available at www.ti.com/sc/package.



Please be aware that an important notice concerning availability, standard warranty, and use in critical applications of Texas Instruments semiconductor products and disclaimers thereto appears at the end of this data sheet.

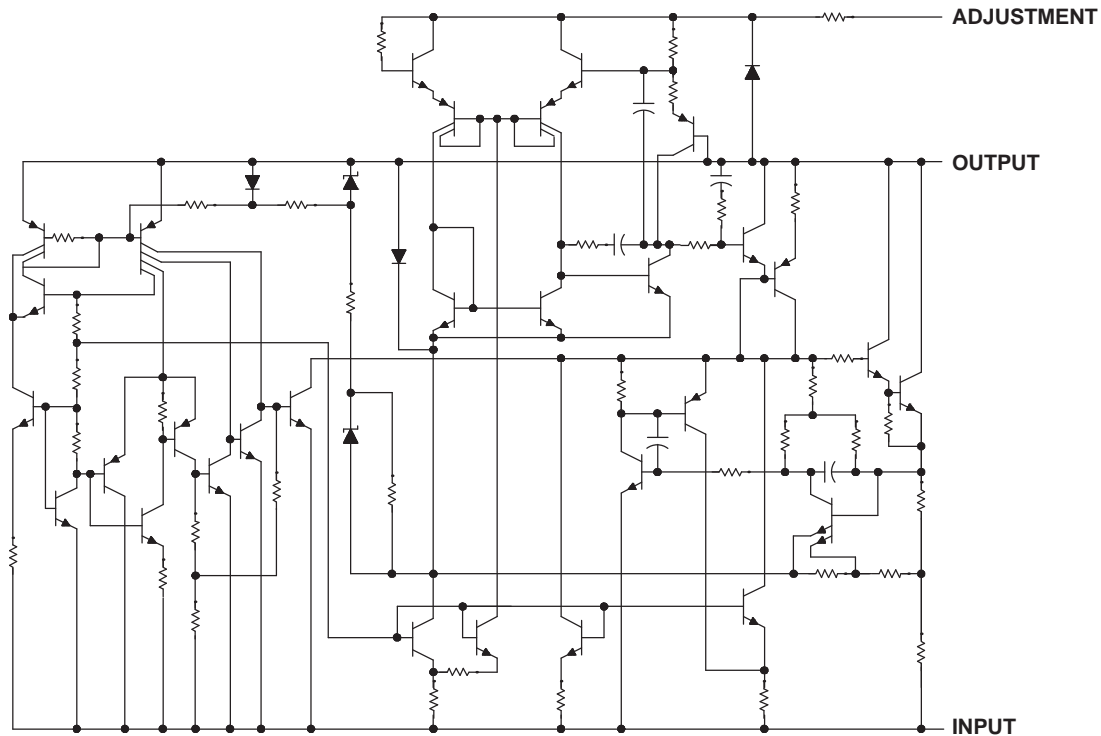
PowerFLEX is a trademark of Texas Instruments.

LM237, LM337

3-TERMINAL ADJUSTABLE REGULATORS

SLVS047K—NOVEMBER 1981—REVISED NOVEMBER 2007

SCHEMATIC DIAGRAM



Absolute Maximum Ratings⁽¹⁾

over operating temperature ranges (unless otherwise noted)

	MIN	MAX	UNIT
$V_I - V_O$ Input-to-output differential voltage		-40	V
T_J Operating virtual junction temperature		150	°C
Lead temperature		260	°C
		1,6 mm (1/16 in) from case for 10 s	
T_{stg} Storage temperature range	-65	150	°C

(1) Stresses beyond those listed under "absolute maximum ratings" may cause permanent damage to the device. These are stress ratings only, and functional operation of the device at these or any other conditions beyond those indicated under "recommended operating conditions" is not implied. Exposure to absolute-maximum-rated conditions for extended periods may affect device reliability.

Package Thermal Data⁽¹⁾

PACKAGE	BOARD	θ_{JC}	θ_{JA}
PowerFLEX (KTE)	High K, JESD 51-5	3°C/W	23°C/W
PowerFLEX (KTP)	High K, JESD 51-5	19°C/W	28°C/W
TO-220 (KCC)	High K, JESD 51-5	3°C/W	24.8°C/W
TO-220 (KCS)	High K, JESD 51-5	3°C/W	24.8°C/W
TO-252 (KVU)	High K, JESD 51-5		30.3°C/W
TO-263 (KTT)	High K, JESD 51-5	18°C/W	25.3°C/W

(1) Maximum power dissipation is a function of $T_J(\max)$, θ_{JA} , and T_A . The maximum allowable power dissipation at any allowable ambient temperature is $P_D = (T_J(\max) - T_A)/\theta_{JA}$. Operating at the absolute maximum T_J of 150°C can affect reliability.

Recommended Operating Conditions

			MIN	MAX	UNIT
I _O	Output current	V _I – V _O ≤ 40 V, P ≤ 15 W	10	1500	mA
		V _I – V _O ≤ 10 V, P ≤ 15 W	6	1500	
T _J	Operating virtual junction temperature	LM237	–25	150	°C
		LM337	0	125	

Electrical Characteristics

over recommended ranges of operating virtual junction temperature (unless otherwise noted)

PARAMETER	TEST CONDITIONS ⁽¹⁾		LM237			LM337			UNIT
			MIN	TYP	MAX	MIN	TYP	MAX	
Input regulation ⁽²⁾	V _I – V _O = –3 V to –40 V	T _J = 25°C	0.01	0.02		0.01	0.04		%V
		T _J = MIN to MAX	0.02	0.05		0.02	0.07		
Ripple rejection	V _O = –10 V, f = 120 Hz		60			60			dB
	V _O = –10 V, f = 120 Hz, C _{ADJ} = 10 μF		66	77		66	77		
Output regulation	I _O = 10 mA to 1.5 A, T _J = 25°C	V _O ≤ 5 V	25			50			mV
		V _O ≥ 5 V	0.3	0.5		0.3	1		%
	I _O = 10 mA to 1.5 A	V _O ≤ 5 V	50			70			mV
		V _O ≥ 5 V	1			1.5			%
Output-voltage change with temperature	T _J = MIN to MAX		0.6			0.6			%
Output-voltage long-term drift	After 1000 h at T _J = MAX and V _I – V _O = –40 V		0.3	1		0.3	1		%
Output noise voltage	f = 10 Hz to 10 kHz, T _J = 25°C		0.003			0.003			%
Minimum output current to maintain regulation	V _I – V _O ≤ 40 V		2.5	5		2.5	10		mA
	V _I – V _O ≤ 10 V		1.2	3		1.5	6		
Peak output current	V _I – V _O ≤ 15 V		1.5	2.2		1.5	2.2		A
	V _I – V _O ≤ 40 V, T _J = 25°C		0.24	0.4		0.15	0.4		
ADJUSTMENT current			65	100		65	100		μA
Change in ADJUSTMENT current	V _I – V _O = –2.5 V to –40 V, I _O = 10 mA to MAX, T _J = 25°C		2	5		2	5		μA
Reference voltage (OUTPUT to ADJUSTMENT)	V _I – V _O = –3 V to –40 V, I _O = 10 mA to 1.5 A, P ≤ rated dissipation	T _J = 25°C	–1.225	–1.25	–1.275	–1.213	–1.25	–1.287	V
		T _J = MIN to MAX	–1.2	–1.25	–1.3	–1.2	–1.25	–1.3	
Thermal regulation	Initial T _J = 25°C, 10-ms pulse		0.002	0.02		0.003	0.04		%/W

- (1) Unless otherwise noted, the following test conditions apply: |V_I – V_O| = 5 V and I_O = 0.5 A. For conditions shown as MIN or MAX, use the appropriate value specified under recommended operating conditions. All characteristics are measured with a 0.1-μF capacitor across the input and a 1-μF capacitor across the output. Pulse-testing techniques are used to maintain the junction temperature as close to the ambient temperature as possible. Thermal effects must be taken into account separately.
- (2) Input regulation is expressed here as the percentage change in output voltage per 1-V change at the input.

LM237, LM337

3-TERMINAL ADJUSTABLE REGULATORS

SLVS047K–NOVEMBER 1981–REVISED NOVEMBER 2007

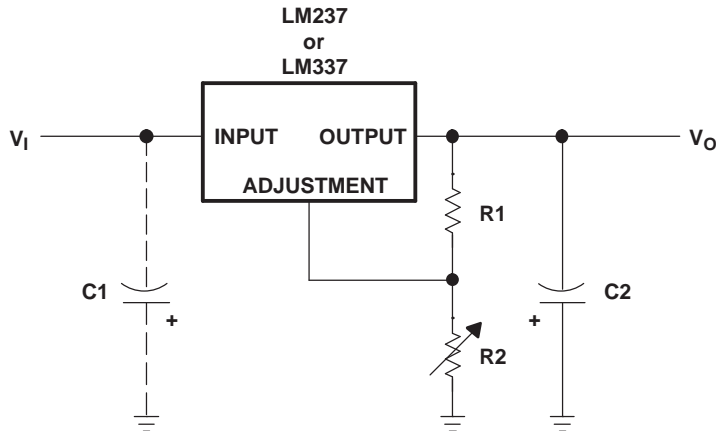
Electrical Characteristics

$T_J = 25^\circ\text{C}$

PARAMETER	TEST CONDITIONS ⁽¹⁾	LM237, LM337			UNIT
		MIN	TYP	MAX	
Input regulation ⁽²⁾	$V_I - V_O = -3\text{ V to } -40\text{ V}$		0.01	0.04	%/V
Ripple rejection	$V_O = -10\text{ V}, f = 120\text{ Hz}$		60		dB
	$V_O = -10\text{ V}, f = 120\text{ Hz}, C_{\text{ADJ}} = 10\ \mu\text{F}$		66	77	
Output regulation	$I_O = 10\text{ mA to } 1.5\text{ A}$	$ V_O \leq 5\text{ V}$		50	mV
		$ V_O \geq 5\text{ V}$	0.3	1	%
Output noise voltage	$f = 10\text{ Hz to } 10\text{ kHz}$		0.003		%
Minimum output current to maintain regulation	$ V_I - V_O \leq 40\text{ V}$		2.5	10	mA
	$ V_I - V_O \leq 10\text{ V}$		1.5	6	
Peak output current	$ V_I - V_O \leq 15\text{ V}$	1.5	2.2		A
	$ V_I - V_O \leq 40\text{ V}$	0.15	0.4		
ADJUSTMENT current			65	100	μA
Change in ADJUSTMENT current	$V_I - V_O = -2.5\text{ V to } -40\text{ V}, I_O = 10\text{ mA to MAX}$		2	5	μA
Reference voltage (OUTPUT to ADJUSTMENT)	$V_I - V_O = -3\text{ V to } -40\text{ V}, I_O = 10\text{ mA to } 1.5\text{ A}, P \leq \text{rated dissipation}$	-1.213	-1.25	-1.287	V

- (1) Unless otherwise noted, the following test conditions apply: $|V_I - V_O| = 5\text{ V}$ and $I_O = 0.5\text{ A}$. All characteristics are measured with a $0.1\text{-}\mu\text{F}$ capacitor across the input and a $1\text{-}\mu\text{F}$ capacitor across the output. Pulse-testing techniques are used to maintain the junction temperature as close to the ambient temperature as possible. Thermal effects must be taken into account separately.
- (2) Input regulation is expressed here as the percentage change in output voltage per 1-V change at the input.

APPLICATION INFORMATION



R1 typically is 120 Ω.

$$R2 = R1 \left(\frac{-V_O}{-1.25} - 1 \right), \text{ where } V_O \text{ is the output in volts.}$$

C1 is a 1-μF solid tantalum capacitor required only if the regulator is more than 10 cm (4 in) from the power-supply filter capacitor. C2 is a 1-μF solid tantalum or 10-μF aluminum electrolytic capacitor required for stability.

Figure 1. Adjustable Negative-Voltage Regulator

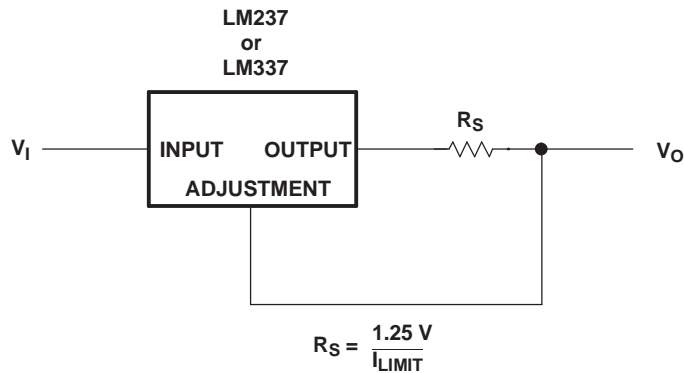


Figure 2. Current-Limiting Circuit

PACKAGING INFORMATION

Orderable Device	Status ⁽¹⁾	Package Type	Package Drawing	Pins	Package Qty	Eco Plan ⁽²⁾	Lead/Ball Finish	MSL Peak Temp ⁽³⁾	Samples (Requires Login)
LM237KC	OBSOLETE	TO-220	KC	3		TBD	Call TI	Call TI	Samples Not Available
LM237KCE3	OBSOLETE	TO-220	KC	3		TBD	Call TI	Call TI	Samples Not Available
LM237KCSE3	ACTIVE	TO-220	KCS	3	50	Pb-Free (RoHS)	CU SN	N / A for Pkg Type	Request Free Samples
LM237KTER	OBSOLETE	PFM	KTE	3		TBD	Call TI	Call TI	Samples Not Available
LM337KC	OBSOLETE	TO-220	KC	3		TBD	Call TI	Call TI	Samples Not Available
LM337KCE3	OBSOLETE	TO-220	KC	3		TBD	Call TI	Call TI	Samples Not Available
LM337KCSE3	ACTIVE	TO-220	KCS	3	50	Pb-Free (RoHS)	CU SN	N / A for Pkg Type	Request Free Samples
LM337KTER	OBSOLETE	PFM	KTE	3		TBD	Call TI	Call TI	Samples Not Available
LM337KTPR	OBSOLETE	PFM	KTP	2		TBD	Call TI	Call TI	Samples Not Available
LM337KTPRG3	OBSOLETE	PFM	KTP	2		TBD	Call TI	Call TI	Samples Not Available
LM337KTTR	ACTIVE	DDPAK/ TO-263	KTT	3	500	Green (RoHS & no Sb/Br)	CU SN	Level-3-245C-168 HR	Request Free Samples
LM337KTTRG3	ACTIVE	DDPAK/ TO-263	KTT	3	500	Green (RoHS & no Sb/Br)	CU SN	Level-3-245C-168 HR	Request Free Samples
LM337KVURG3	ACTIVE	PFM	KVU	3	2500	Green (RoHS & no Sb/Br)	CU SN	Level-3-260C-168 HR	Request Free Samples
LM337Y	OBSOLETE	DIESALE	Y	0		TBD	Call TI	Call TI	Samples Not Available

⁽¹⁾ The marketing status values are defined as follows:

ACTIVE: Product device recommended for new designs.

LIFEBUY: TI has announced that the device will be discontinued, and a lifetime-buy period is in effect.

NRND: Not recommended for new designs. Device is in production to support existing customers, but TI does not recommend using this part in a new design.

PREVIEW: Device has been announced but is not in production. Samples may or may not be available.

OBSOLETE: TI has discontinued the production of the device.

⁽²⁾ Eco Plan - The planned eco-friendly classification: Pb-Free (RoHS), Pb-Free (RoHS Exempt), or Green (RoHS & no Sb/Br) - please check <http://www.ti.com/productcontent> for the latest availability information and additional product content details.

TBD: The Pb-Free/Green conversion plan has not been defined.

Pb-Free (RoHS): TI's terms "Lead-Free" or "Pb-Free" mean semiconductor products that are compatible with the current RoHS requirements for all 6 substances, including the requirement that lead not exceed 0.1% by weight in homogeneous materials. Where designed to be soldered at high temperatures, TI Pb-Free products are suitable for use in specified lead-free processes.

Pb-Free (RoHS Exempt): This component has a RoHS exemption for either 1) lead-based flip-chip solder bumps used between the die and package, or 2) lead-based die adhesive used between the die and leadframe. The component is otherwise considered Pb-Free (RoHS compatible) as defined above.

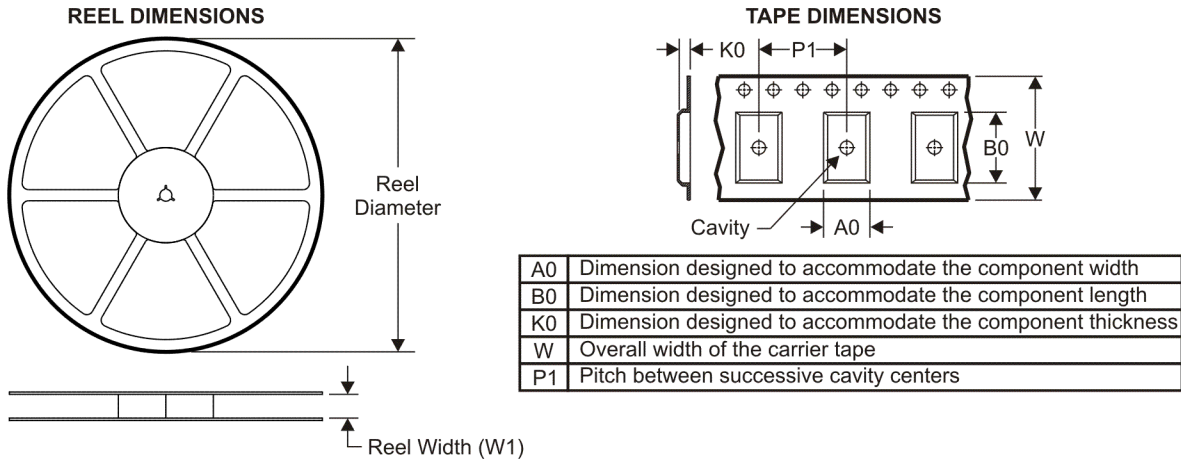
Green (RoHS & no Sb/Br): TI defines "Green" to mean Pb-Free (RoHS compatible), and free of Bromine (Br) and Antimony (Sb) based flame retardants (Br or Sb do not exceed 0.1% by weight in homogeneous material)

⁽³⁾ MSL, Peak Temp. -- The Moisture Sensitivity Level rating according to the JEDEC industry standard classifications, and peak solder temperature.

Important Information and Disclaimer: The information provided on this page represents TI's knowledge and belief as of the date that it is provided. TI bases its knowledge and belief on information provided by third parties, and makes no representation or warranty as to the accuracy of such information. Efforts are underway to better integrate information from third parties. TI has taken and continues to take reasonable steps to provide representative and accurate information but may not have conducted destructive testing or chemical analysis on incoming materials and chemicals. TI and TI suppliers consider certain information to be proprietary, and thus CAS numbers and other limited information may not be available for release.

In no event shall TI's liability arising out of such information exceed the total purchase price of the TI part(s) at issue in this document sold by TI to Customer on an annual basis.

TAPE AND REEL INFORMATION



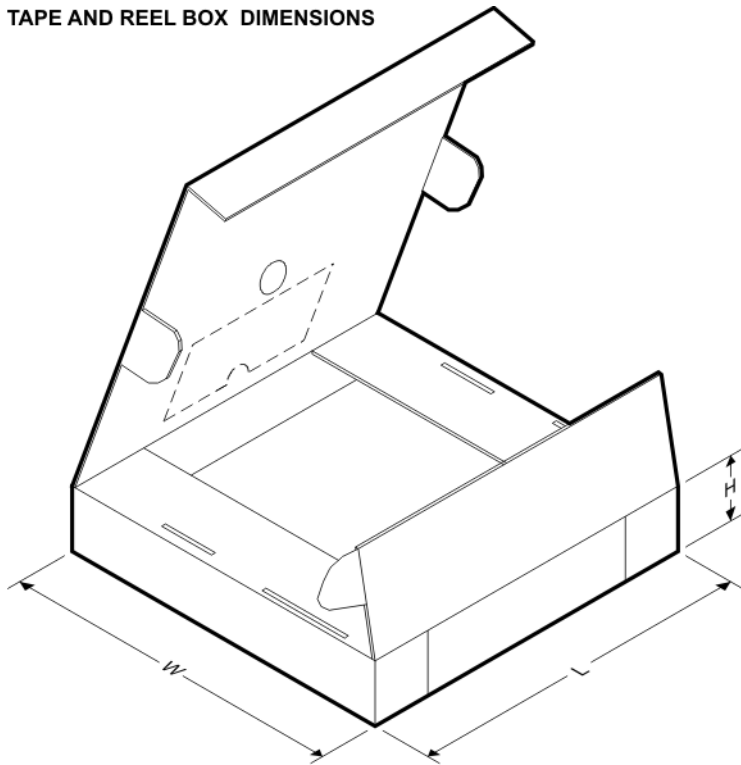
QUADRANT ASSIGNMENTS FOR PIN 1 ORIENTATION IN TAPE



*All dimensions are nominal

Device	Package Type	Package Drawing	Pins	SPQ	Reel Diameter (mm)	Reel Width W1 (mm)	A0 (mm)	B0 (mm)	K0 (mm)	P1 (mm)	W (mm)	Pin1 Quadrant
LM337KTTR	DDPAK/TO-263	KTT	3	500	330.0	24.4	10.6	15.8	4.9	16.0	24.0	Q2
LM337KVURG3	PFM	KVU	3	2500	330.0	16.4	6.9	10.5	2.7	8.0	16.0	Q2

TAPE AND REEL BOX DIMENSIONS

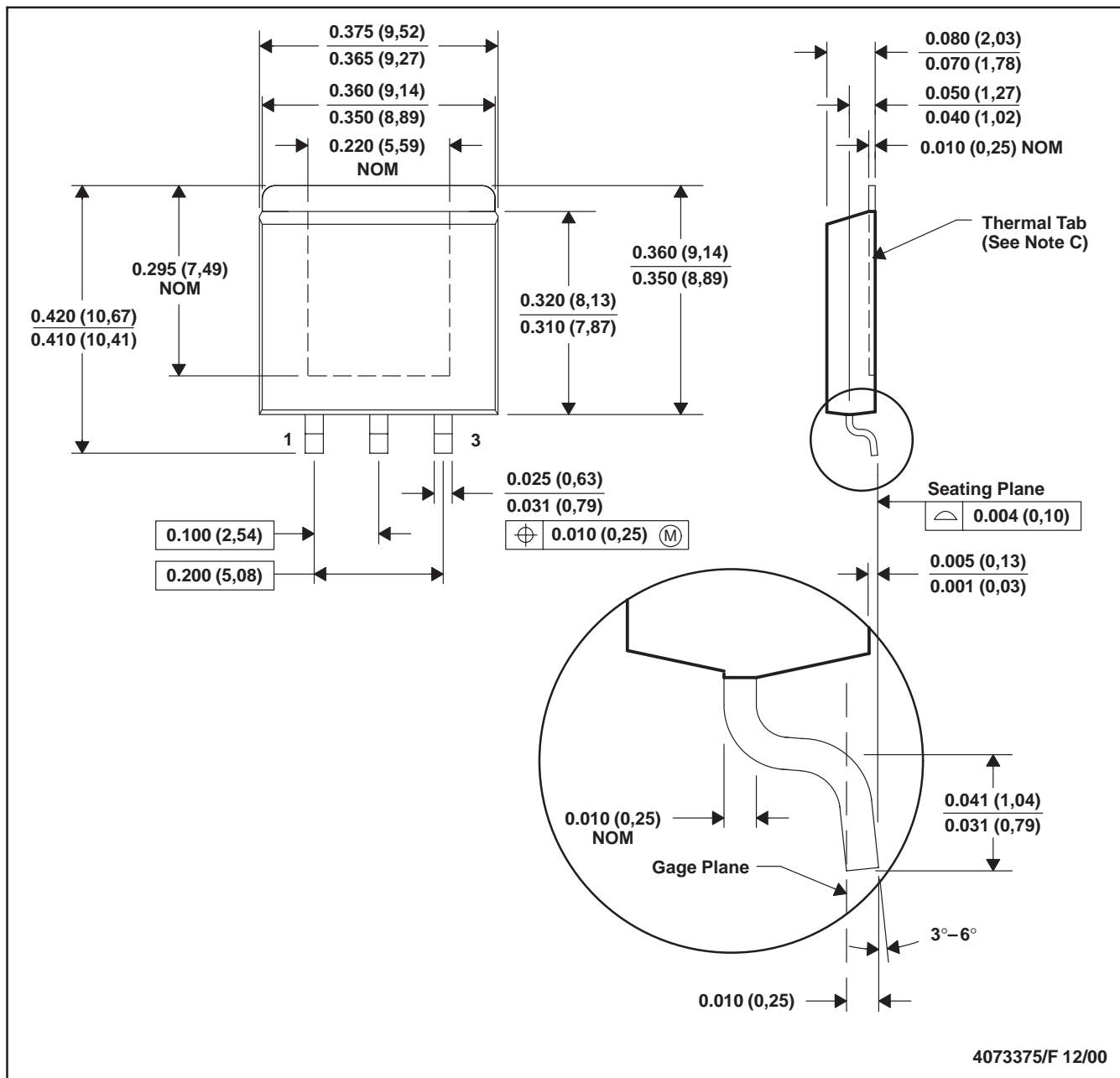


*All dimensions are nominal

Device	Package Type	Package Drawing	Pins	SPQ	Length (mm)	Width (mm)	Height (mm)
LM337KTTR	DDPAK/TO-263	KTT	3	500	340.0	340.0	38.0
LM337KVURG3	PFM	KVU	3	2500	340.0	340.0	38.0

KTE (R-PSFM-G3)

PowerFLEX™ PLASTIC FLANGE-MOUNT



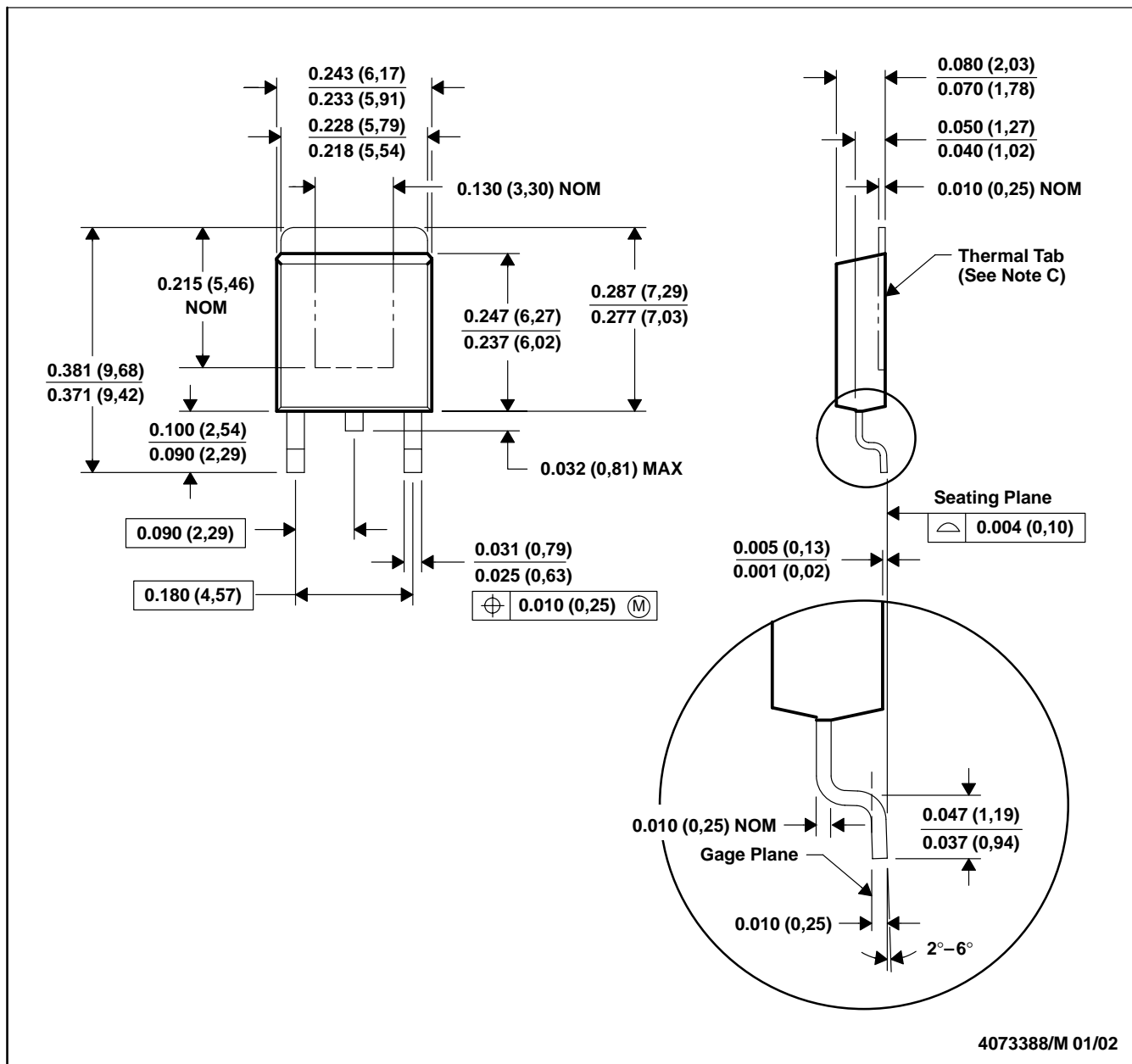
- NOTES: A. All linear dimensions are in inches (millimeters).
 B. This drawing is subject to change without notice.
 C. The center lead is in electrical contact with the thermal tab.
 D. Dimensions do not include mold protrusions, not to exceed 0.006 (0,15).
 E. Falls within JEDEC MO-169

PowerFLEX is a trademark of Texas Instruments.



KTP (R-PSFM-G2)

PowerFLEX™ PLASTIC FLANGE-MOUNT PACKAGE



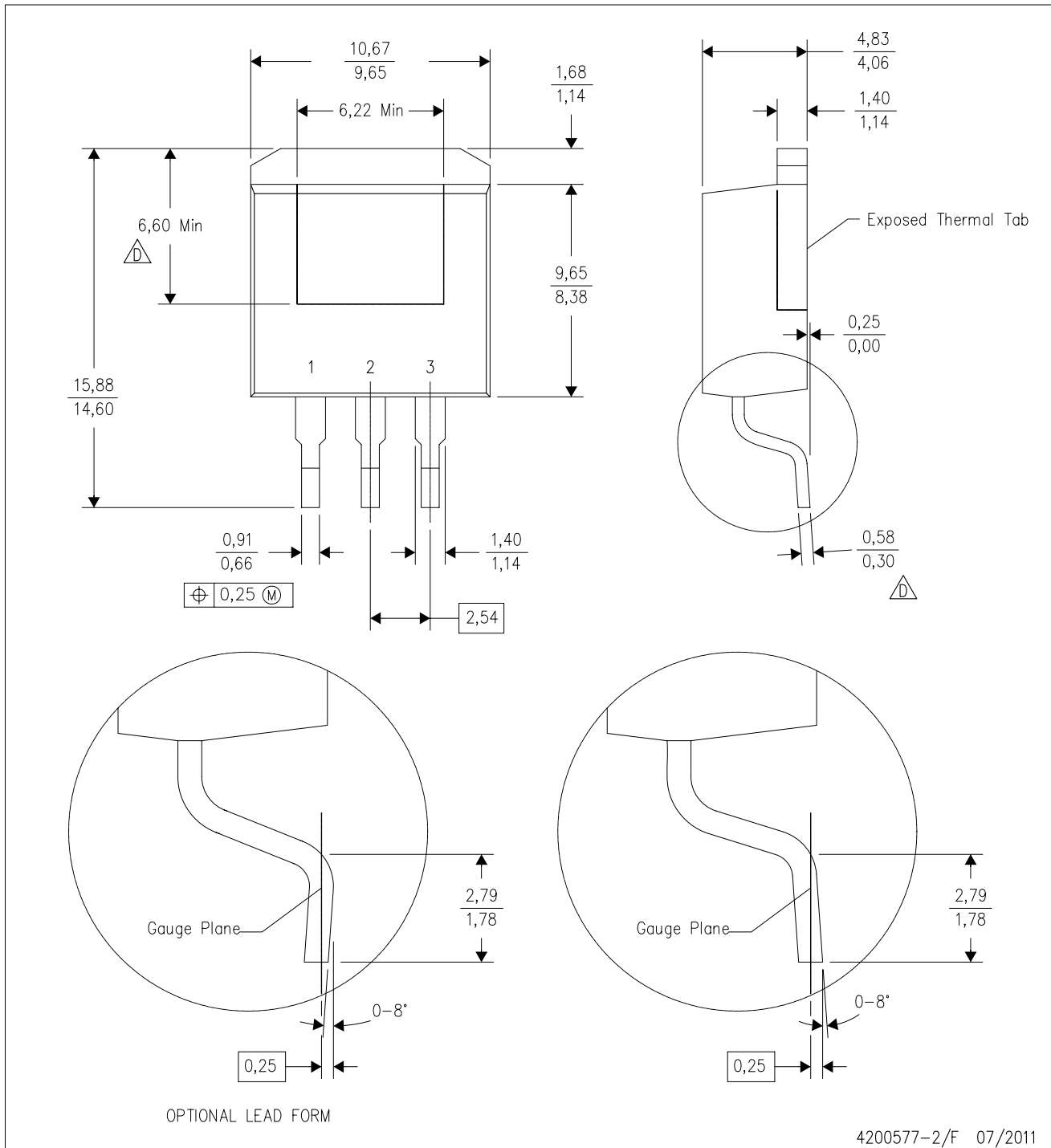
- NOTES: A. All linear dimensions are in inches (millimeters).
 B. This drawing is subject to change without notice.
 C. The center lead is in electrical contact with the thermal tab.
 D. Dimensions do not include mold protrusions, not to exceed 0.006 (0,15).
 E. Falls within JEDEC TO-252 variation AC.

PowerFLEX is a trademark of Texas Instruments.

MECHANICAL DATA

KTT (R-PSFM-G3)

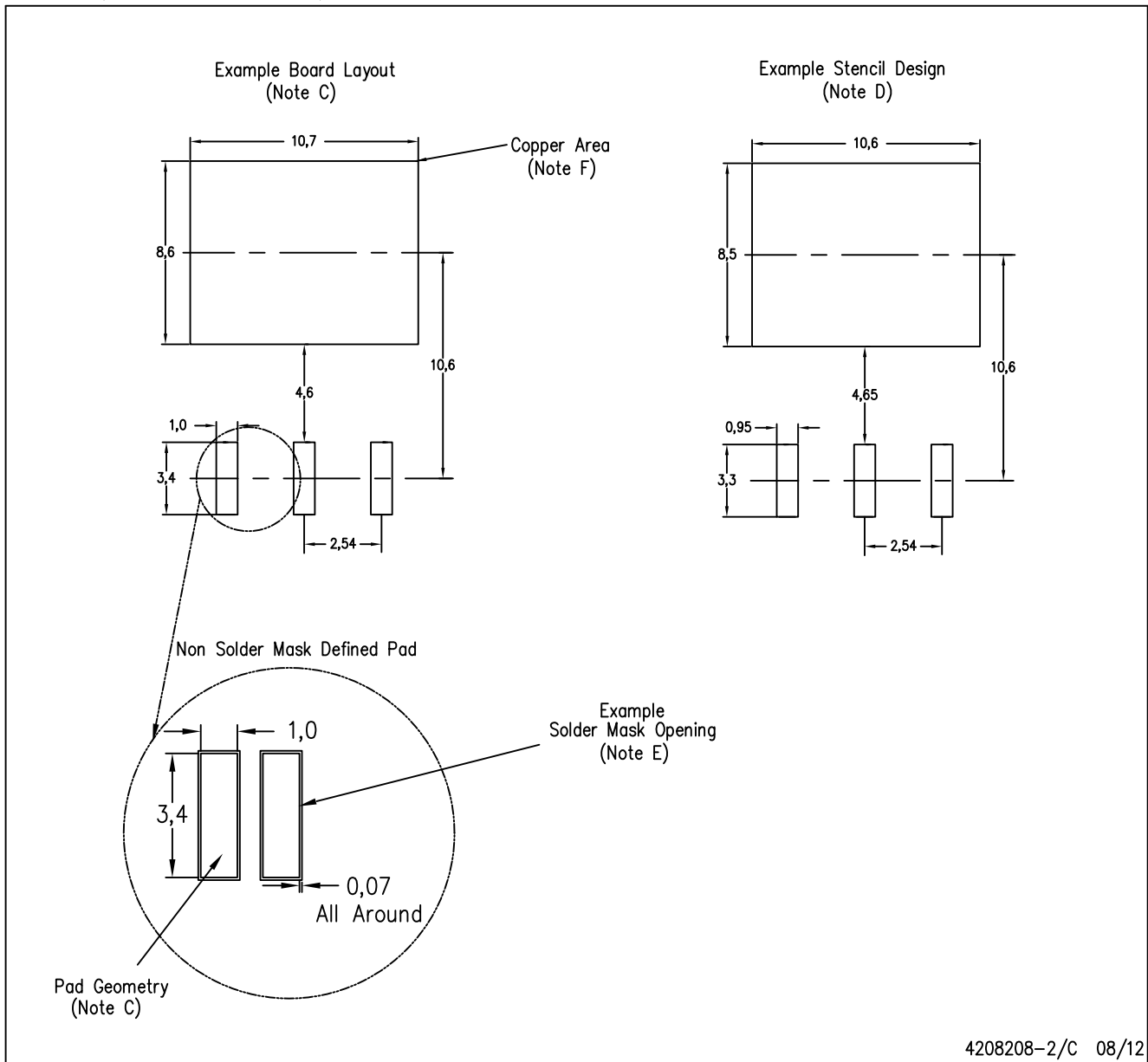
PLASTIC FLANGE-MOUNT PACKAGE



- NOTES:
- All linear dimensions are in millimeters.
 - This drawing is subject to change without notice.
 - Body dimensions do not include mold flash or protrusion. Mold flash or protrusion not to exceed 0.005 (0,13) per side.
- Falls within JEDEC TO-263 variation AA, except minimum lead thickness and minimum exposed pad length.

KTT (R-PSFM-G3)

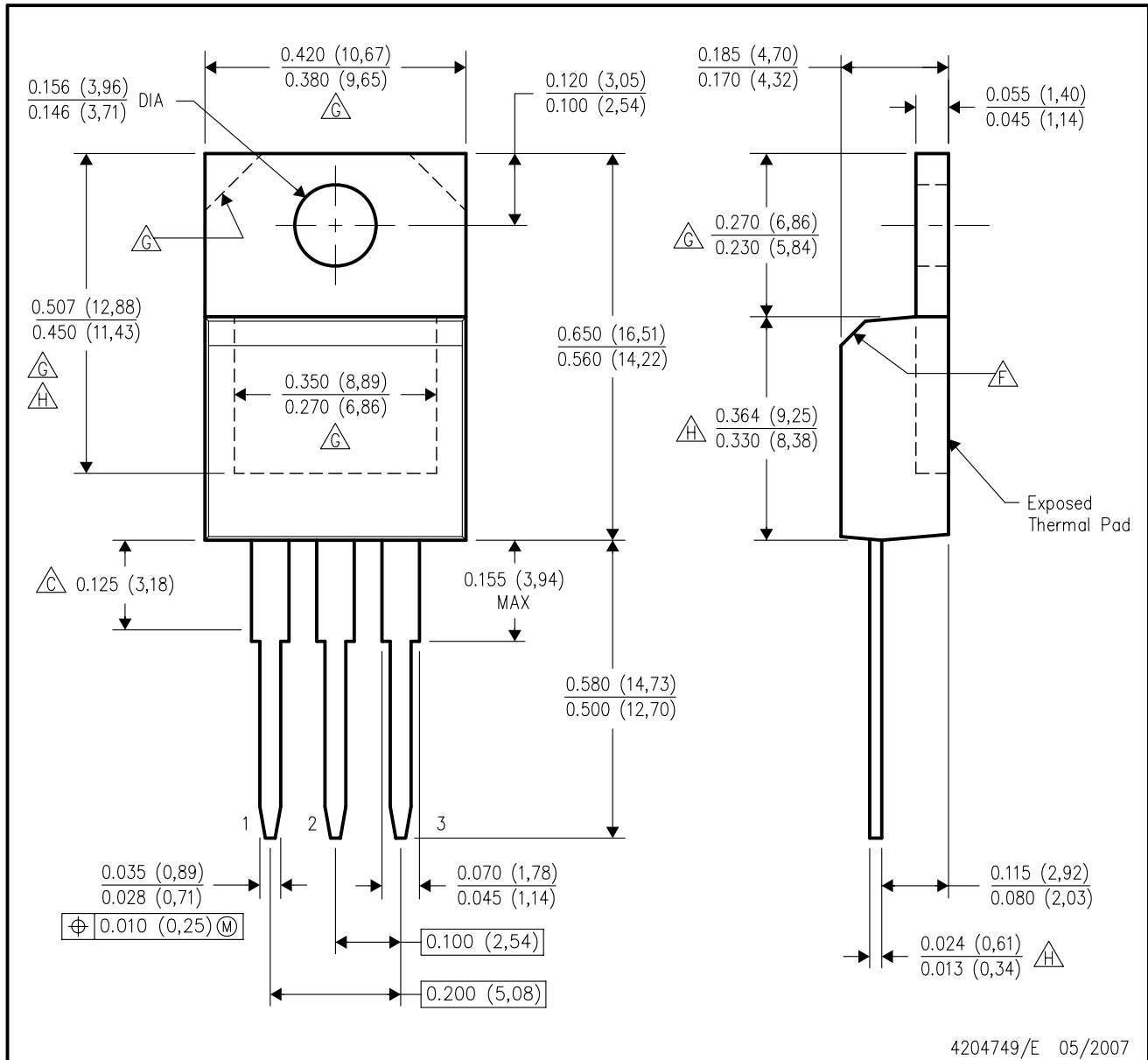
PLASTIC FLANGE-MOUNT PACKAGE



- NOTES:
- All linear dimensions are in millimeters.
 - This drawing is subject to change without notice.
 - Publication IPC-SM-782 is recommended for alternate designs.
 - Laser cutting apertures with trapezoidal walls and also rounding corners will offer better paste release. Customers should contact their board assembly site for stencil design recommendations. Refer to IPC-7525.
 - Customers should contact their board fabrication site for solder mask tolerances between and around signal pads.
 - This package is designed to be soldered to a thermal pad on the board. Refer to the Product Datasheet for specific thermal information, via requirements, and recommended thermal pad size. For thermal pad sizes larger than shown a solder mask defined pad is recommended in order to maintain the solderable pad geometry while increasing copper area.

KCS (R-PSFM-T3)

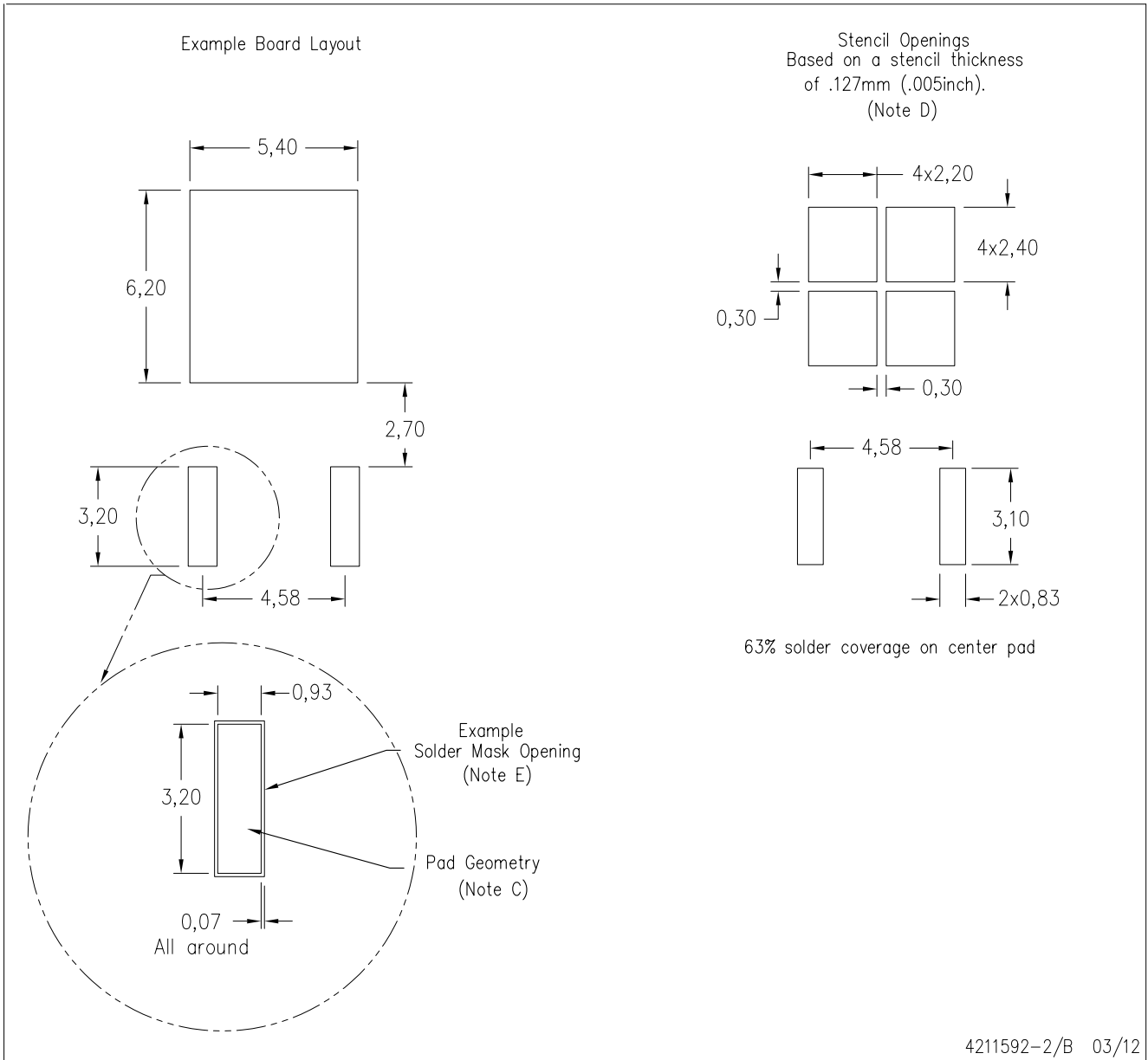
PLASTIC FLANGE-MOUNT PACKAGE



- NOTES:
- A. All linear dimensions are in inches (millimeters).
 - B. This drawing is subject to change without notice.
 - C. Lead dimensions are not controlled within this area.
 - D. All lead dimensions apply before solder dip.
 - E. The center lead is in electrical contact with the mounting tab.
 - F. The chamfer is optional.
 - G. Thermal pad contour optional within these dimensions.
 - H. Falls within JEDEC TO-220 variation AB, except minimum lead thickness, minimum exposed pad length, and maximum body length.

KVU (R-PSFM-G3)

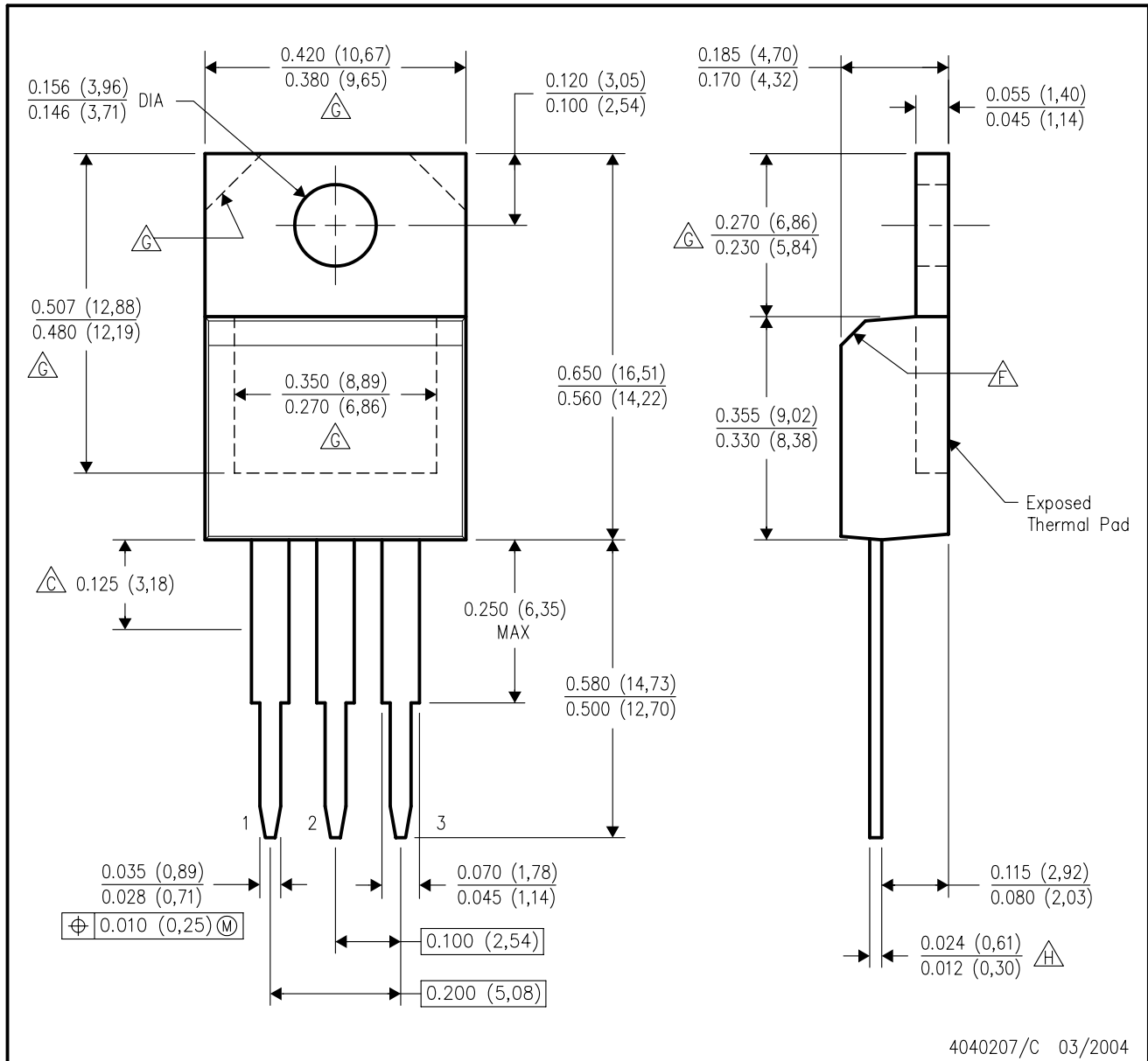
PLASTIC FLANGE MOUNT PACKAGE



- NOTES:
- A. All linear dimensions are in millimeters.
 - B. This drawing is subject to change without notice.
 - C. Publication IPC-SM-782 is an alternate information source for PCB land pattern designs.
 - D. Laser cutting apertures with trapezoidal walls and also rounding corners will offer better paste release. Customers should contact their board assembly site for stencil design recommendations. Refer to IPC-7525 for other stencil recommendations.
 - E. Customers should contact their board fabrication site for recommended solder mask tolerances and via tenting recommendations for vias placed in thermal pad.

KC (R-PSFM-T3)

PLASTIC FLANGE-MOUNT PACKAGE



- NOTES:
- A. All linear dimensions are in inches (millimeters).
 - B. This drawing is subject to change without notice.
 - C. Lead dimensions are not controlled within this area.
 - D. All lead dimensions apply before solder dip.
 - E. The center lead is in electrical contact with the mounting tab.
 - F. The chamfer is optional.
 - G. Thermal pad contour optional within these dimensions.
 - H. Falls within JEDEC TO-220 variation AB, except minimum lead thickness.

IMPORTANT NOTICE

Texas Instruments Incorporated and its subsidiaries (TI) reserve the right to make corrections, enhancements, improvements and other changes to its semiconductor products and services per JESD46, latest issue, and to discontinue any product or service per JESD48, latest issue. Buyers should obtain the latest relevant information before placing orders and should verify that such information is current and complete. All semiconductor products (also referred to herein as "components") are sold subject to TI's terms and conditions of sale supplied at the time of order acknowledgment.

TI warrants performance of its components to the specifications applicable at the time of sale, in accordance with the warranty in TI's terms and conditions of sale of semiconductor products. Testing and other quality control techniques are used to the extent TI deems necessary to support this warranty. Except where mandated by applicable law, testing of all parameters of each component is not necessarily performed.

TI assumes no liability for applications assistance or the design of Buyers' products. Buyers are responsible for their products and applications using TI components. To minimize the risks associated with Buyers' products and applications, Buyers should provide adequate design and operating safeguards.

TI does not warrant or represent that any license, either express or implied, is granted under any patent right, copyright, mask work right, or other intellectual property right relating to any combination, machine, or process in which TI components or services are used. Information published by TI regarding third-party products or services does not constitute a license to use such products or services or a warranty or endorsement thereof. Use of such information may require a license from a third party under the patents or other intellectual property of the third party, or a license from TI under the patents or other intellectual property of TI.

Reproduction of significant portions of TI information in TI data books or data sheets is permissible only if reproduction is without alteration and is accompanied by all associated warranties, conditions, limitations, and notices. TI is not responsible or liable for such altered documentation. Information of third parties may be subject to additional restrictions.

Resale of TI components or services with statements different from or beyond the parameters stated by TI for that component or service voids all express and any implied warranties for the associated TI component or service and is an unfair and deceptive business practice. TI is not responsible or liable for any such statements.

Buyer acknowledges and agrees that it is solely responsible for compliance with all legal, regulatory and safety-related requirements concerning its products, and any use of TI components in its applications, notwithstanding any applications-related information or support that may be provided by TI. Buyer represents and agrees that it has all the necessary expertise to create and implement safeguards which anticipate dangerous consequences of failures, monitor failures and their consequences, lessen the likelihood of failures that might cause harm and take appropriate remedial actions. Buyer will fully indemnify TI and its representatives against any damages arising out of the use of any TI components in safety-critical applications.

In some cases, TI components may be promoted specifically to facilitate safety-related applications. With such components, TI's goal is to help enable customers to design and create their own end-product solutions that meet applicable functional safety standards and requirements. Nonetheless, such components are subject to these terms.

No TI components are authorized for use in FDA Class III (or similar life-critical medical equipment) unless authorized officers of the parties have executed a special agreement specifically governing such use.

Only those TI components which TI has specifically designated as military grade or "enhanced plastic" are designed and intended for use in military/aerospace applications or environments. Buyer acknowledges and agrees that any military or aerospace use of TI components which have **not** been so designated is solely at the Buyer's risk, and that Buyer is solely responsible for compliance with all legal and regulatory requirements in connection with such use.

TI has specifically designated certain components which meet ISO/TS16949 requirements, mainly for automotive use. Components which have not been so designated are neither designed nor intended for automotive use; and TI will not be responsible for any failure of such components to meet such requirements.

Products

Audio	www.ti.com/audio
Amplifiers	amplifier.ti.com
Data Converters	dataconverter.ti.com
DLP® Products	www.dlp.com
DSP	dsp.ti.com
Clocks and Timers	www.ti.com/clocks
Interface	interface.ti.com
Logic	logic.ti.com
Power Mgmt	power.ti.com
Microcontrollers	microcontroller.ti.com
RFID	www.ti-rfid.com
OMAP Applications Processors	www.ti.com/omap
Wireless Connectivity	www.ti.com/wirelessconnectivity

Applications

Automotive and Transportation	www.ti.com/automotive
Communications and Telecom	www.ti.com/communications
Computers and Peripherals	www.ti.com/computers
Consumer Electronics	www.ti.com/consumer-apps
Energy and Lighting	www.ti.com/energy
Industrial	www.ti.com/industrial
Medical	www.ti.com/medical
Security	www.ti.com/security
Space, Avionics and Defense	www.ti.com/space-avionics-defense
Video and Imaging	www.ti.com/video

TI E2E Community

e2e.ti.com