

## DIN-Rail Adapter for PCB SSRs

DIN Rail adapter module intended for mounting of PCB relays series RP on DIN rail. RPM1 is intended for 230 VAC modules. For higher nominal operational voltages (up to 600 VAC) RPM2 is available.

RP SSR is not included. Add 'M1' or 'M2' suffix to RP type for mounting of RP SSR to DIN rail adaptor.

Note that when the RP.10 is mounted on a DIN Rail (and hence vertically mounted), a derating factor has to be applied to the SSR.

### Ordering Key

**RPM1 V**

RP DIN rail adaptor module

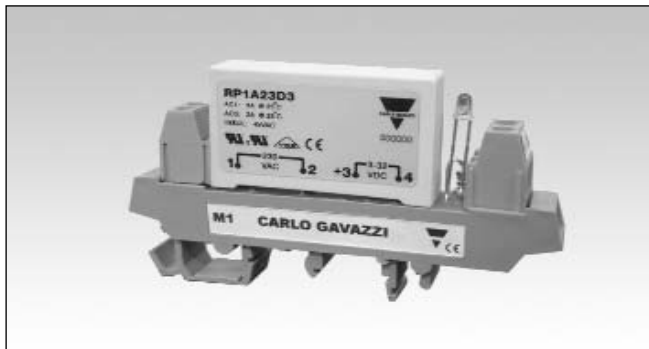
Options

**V:** Integrated varistor across RPM1 output terminals

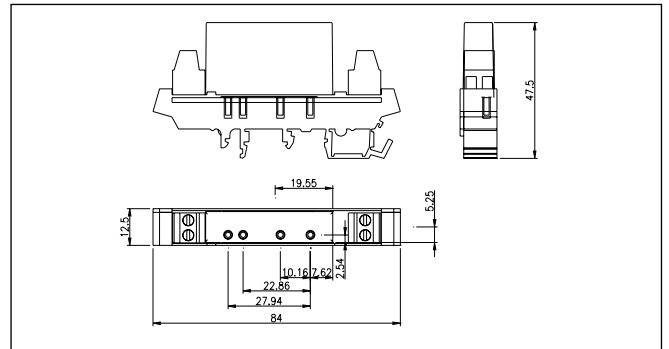
**P:** RPM1 with pins for easy removal of RP unit\*

**PD:** RPM1 with pins for easy removal of RP unit including an LED for control status indication \*

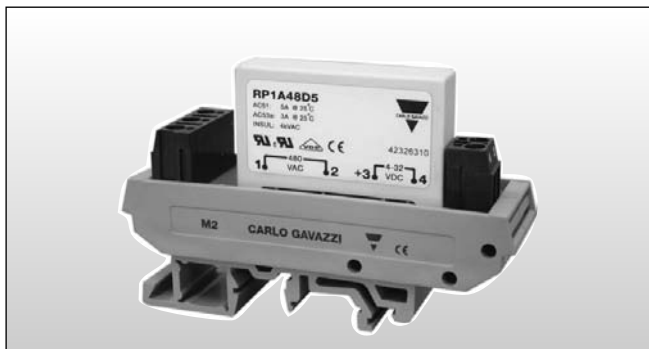
\* Not available with RPM2



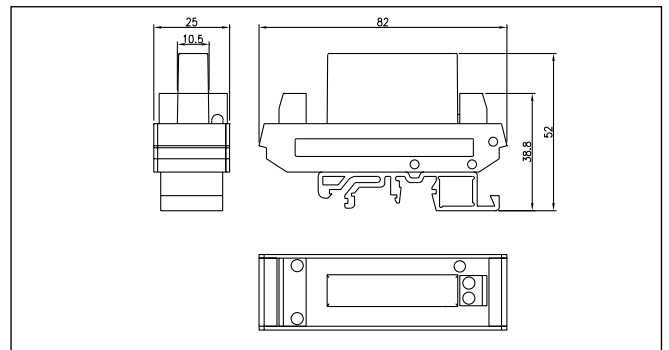
RPM1



Dimensions in mm



RPM2



Dimensions in mm

## Housing Specifications

Housing material	PA, green, UL94 V0	
Weight	RPM1	approx. 15g
	RPM2	approx. 20g
Terminal screws	M3	
Terminal cable size max. (stranded)	1.5mm <sup>2</sup>	
Mounting torque max.	0.5 Nm	
Operating temperature	-20° to + 70°C [-4 to +158°F]	
Storage temperature	-40° to + 100°C [-40° to +212°F]	
DIN rail guide	DIN EN 50022, 50035	