

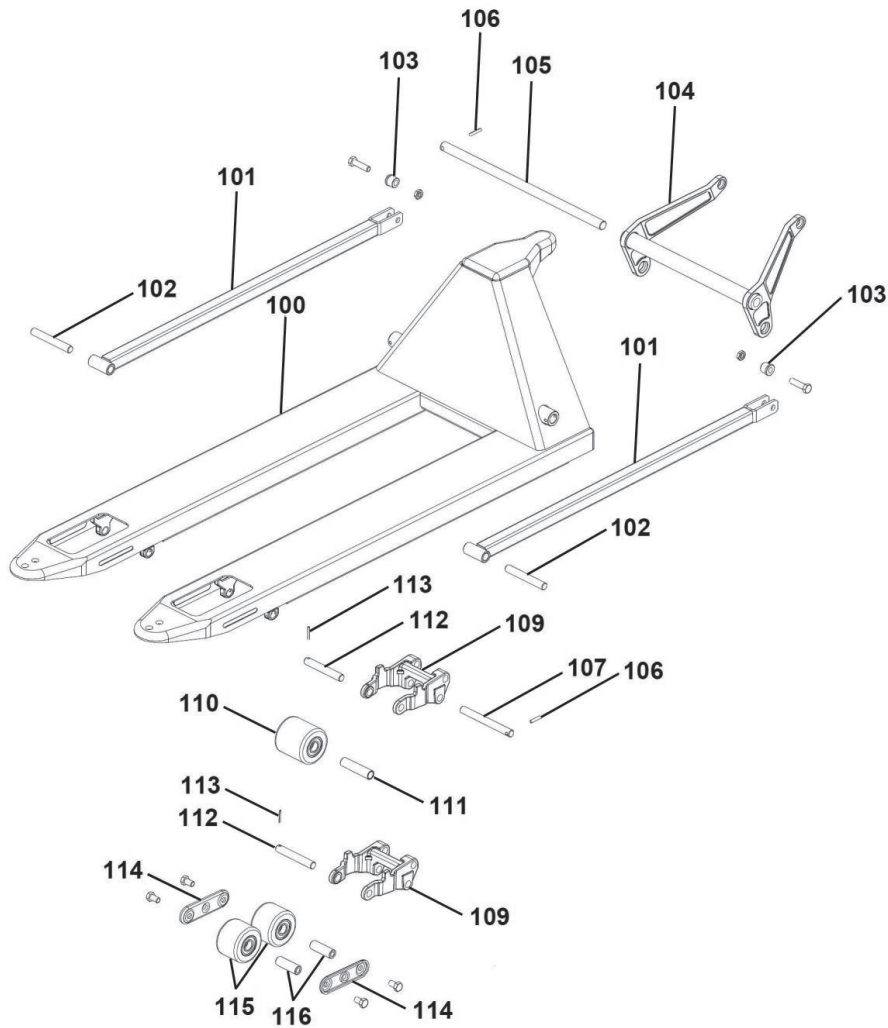
Item	Part No.	Description
301	PT2200.301	PISTON
302	PT2200.302	SPRING GUIDE
303	PT2200.303	SPRING
304	PT2200.304	PUMP PLUNGER
305	PT2200.305	BURNISHED CYLINDER
306	PT2200.306	CHAIN GUIDE PIN
307	PT2200.307	COPPER WASHER
308	PT2200.308	BRACKET
309	PT2200.309	BRACKET ROLLER
310	PT2200.310	BRACKET ROLLER PIN
311	PT2200.311	WHEEL, FIXED (200x19x45)
312	PT2200.312	BALL 7/32"
313	PT2200.313	SPRING
314	PT2200.314	SCREW
315	PT2200.315	WHEEL DUST GUARD
316	PT2200.316	VALVE FORK ASSEMBLY
--	PT2200.317	BODY PUMP BUSHING (not shown)
318	PT2200.318	WHEEL AXLE
319	PT2200.319	PUMP BODY
320	PT2200.320	OIL TANK
321	PT2200.321	OIL TANK CAP
322	PT2200.322	TANK PROTECTION

Item	Part No.	Description
323	PT2200.323	PLATE
324	B/6001-2RS	BEARING 6001-2RS
325	PT2200.325	BUSHING
326	PT2200.326	COMPLETE TIE-ROD WITH HANDLE LEVER
327	PT2200.327	LOWER LEVER SPACER
328	PT2200.328	LOWER LEVER SPRING
329	PT2200.329	CONTROL HANDLE
330	PT2200.330	HANDLE
331	PT2200.331	HYDRAULIC ASSEMBLY
332	PT2200.332	BALL 5/16"
333	SB-14.0	STEEL BALL 14.0mm
334	PT2200.334	LOCK RING
335	PT2200.335	ELASTIC PIN
336	PT2200.336	SEEGER RING
337	PT2200.337	SEEGER RING
338	PT2200.338	ELASTIC PIN
339	PT2200.339	SPINDLE
340	PT2200.340	SPRING
341	PT2200.341	NON RETURN VALVE
--	PT2200.342	PUMP HANDLE ASS'Y (not shown)
343	PT2200.343	REPAIR KIT

NOTE: It is our policy to continually improve products and as such we reserve the right to alter data, specifications and component parts without prior notice.

IMPORTANT: No liability is accepted for incorrect use of product.

WARRANTY: Guarantee is 12 months from purchase date, proof of which will be required for any claim.



Item	Part No.	Description
100	PT2200.100	FRAME
101	PT2200.101	PUSH ROD
102	PT2200.102	PIN
103	PT2200.103	PUSH ROD
104	PT2200.104	ROCKER ARM
105	PT2200.105	ROCKER ARM AXLE
106	PT2200.106	ELASTIC PIN
107	PT2200.107	PIN
--	PT2200.108	NYLON ROLLER (not shown)

Item	Part No.	Description
109	PT2200.109	FRAME FOR ROLLER
110	PT2200.110	ROLLER
111	PT2200.111	ROLLER SPACER
112	PT2200.112	CONNECTION PIN
113	PT2200.113	ELASTIC PIN
114	PT2200.114	LINK PLATE
115	PT2200.115	ROLLER
116	PT2200.116	ROLLER SPACER

NOTE: It is our policy to continually improve products and as such we reserve the right to alter data, specifications and component parts without prior notice.

IMPORTANT: No liability is accepted for incorrect use of product.

WARRANTY: Guarantee is 12 months from purchase date, proof of which will be required for any claim.