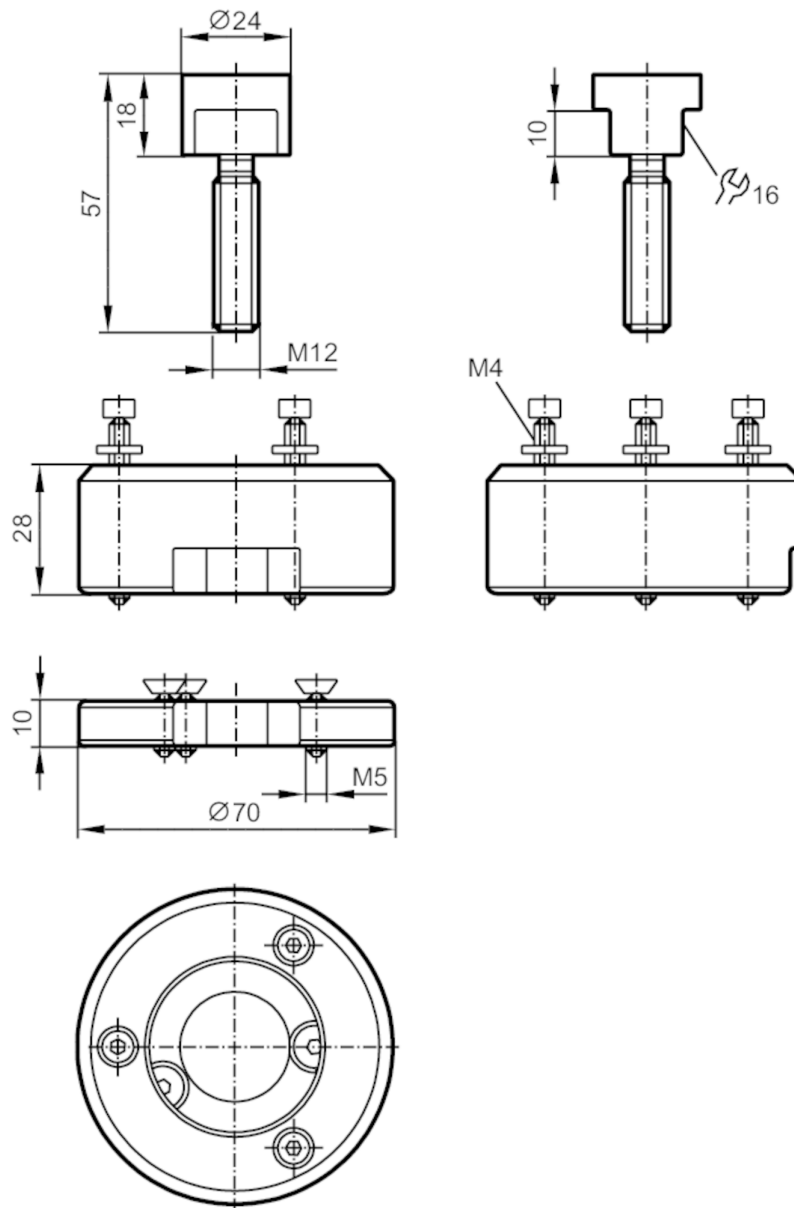


E12411



Mounting adapter for position sensors used on rising stem valves

ADAPTER VALVIS 16



Application	
Design	for valves APV / SPX, for valves APV / SPX
Mechanical data	
Weight [g]	390.8
Materials	Target: stainless steel (1.4404 / 316L); mounting plate: stainless steel (1.4305 / 303); spacer: POM
Accessories	
Accessories (supplied)	cylinder screws: 3 x M4 x 40 A2 washers: 3 x M4 countersunk screws: 3 x M5 x 16 A2
Remarks	
Pack quantity	1 pcs.