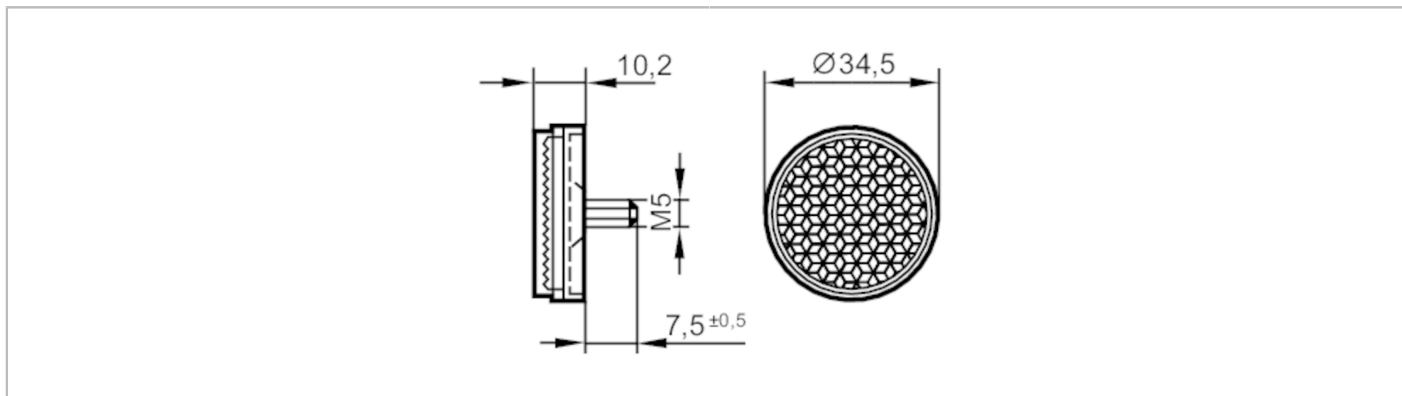


E20954



Reflector for retro-reflective sensors

REFLECTOR TS-35



Application

Design round, for red light and infrared light retro-reflective sensors

Operating conditions

Ambient temperature [°C] -10...60

Mechanical data

Weight [g] 10

Dimensions [mm] Ø 35

Materials plastics

Remarks

Pack quantity 1 pcs.